

**-D option for DPA microdot connector**
**-L option for LEMO connector**

### Main Features

- Up to 232 MHz bandwidth in 470/952 MHz range
- Enhanced robustness against self-interferences and antenna performances thru a proprietary "intermodulation cancellation" circuit (MTP40 only)
- Miniature design with flexible pcb (no connectors) for extended reliability
- Ultra-light metal alloy body (60g without batteries for MTP41)
- User selectable multi-companing systems:
  - ENR (noise optimized)
  - ENC (voice optimized)
- Battery:
  - MTP40: 2 AA Alkaline or rechargeable NiMH
  - MTP41: 1 AA Alkaline or rechargeable NiMH
- Autonomy:
  - MTP40: > 10h @ 50mW output power
  - MTP40: > 14h @ 10mW output power
- Infrared interface for management and firmware update
- Easy and quick to setup thru an Oled display gain/freq button and a joggle selector
- Extended regulation on Mic input gain: 80dB in 1dB step
- Max input level 26dBu (15.5 V clipping) to connect directly to mixers and instruments
- 48V phantom power to use wired mic thru the PHA48 accessory (MTP40 only)


**MTP40**

### General Description

*"MTP40 is an extremely small and light pocket transmitter especially designed for professional wireless microphone applications"*

Very easy and quick to use thanks to OLED display, dedicated buttons and a joggle selector.

MTP40 benefit also of the latest Wisycom RF technology along with an enhanced robustness against noise and inter-modulation.



**Before putting the device into operation, please observe the respective country-specific regulations**


**MTP41**

**TECHNICAL SPECIFICATIONS**

<b>Switchable channels</b>	2400 allocated by 40 groups of 60 channels (in specific frequency range), quickly selectable with dedicated buttons
<b>Switching window</b>	Up to 232 MHz, depending on band (see below code table)
<b>Frequencies</b>	Quartz PLL frequency synthesizer circuit (25 kHz step)
<b>Frequency stability</b>	▪ ± 2,5 ppm (in the rated temperature range)
<b>Temperature range</b>	-10 ÷ +55 °C
<b>Max RF power</b>	▪ 50 mW (ERP) when high power selected ▪ 10 mW (ERP) when low power selected
<b>Spurious emissions</b>	< 2 nW
<b>Modulation</b>	wideband FM, with 50 µs pre-emphasis
<b>Nominal deviation</b>	±40 kHz (Peak deviation = ±56 kHz)
<b>Telemetry feature</b>	MTP40 transmits also a digitally modulated sub-carrier, suitable for: ▪ <i>tone-squelch operating</i> ▪ <i>remote battery monitoring</i> ▪ <i>optional PTT (push to talk) operation</i>
<b>AF input connector</b>	Configurable on 'mic' display menu in 5 options:
<b>LEMO option</b>	▪ '2 wires': gain selectable -40 ÷ +40 (-54 dBu ÷ +26 dBu peak), no bias voltage ▪ '2 wires + bias': gain selectable -20 ÷ +40 (-54 dBu ÷ + 6 dBu peak), 5.5 V on 4k7 bias supply ▪ '3 wires': gain selectable -40 ÷ +40 (-54 dBu ÷ +26 dBu peak) ▪ '2 wires & phantom': gain selectable -40 ÷ +40 (-54 dBu ÷ +26 dBu peak), ▪ '2 wires + bias & phantom': gain selectable -20 ÷ +40, (-54 dBu ÷ + 6 dBu peak), 5.5 V on 4k7 bias supply
<b>AF input level</b>	80 dB adjustable range from -60 dBu (775 µV) to 26 dBu (15.5 V) at peak deviation (1 kHz), adjustable in 1 dB steps
<b>Max. input level</b>	+26 dBu (15.5 V) at clipping, +20 dBu (7.75 V) at nominal level
<b>Noise-Reduction</b>	ENR (Wisycom Extended-NR), with independent Attack- and Recovery-time, noise optimized ENC (Wisycom Extended-NC), with independent Attack- and Recovery-time, voice optimized & with reduced pre-emphasys
<b>AF bandwidth</b>	▪ 45 Hz ÷ 21 KHz (3dB) ▪ 55 Hz ÷ 20 KHz (1dB)
<b>Distortion</b>	< 0.3 % (0.15 % typ.)
<b>Signal-to-noise ratio</b>	▪ typ. 115 dB (A) <sub>rms</sub> with 40 kHz deviation ▪ typ. 121 dB (A) <sub>rms</sub> with 56 kHz deviation
<b>Led</b>	Led indication with bicolor led (red & green) on wireless power switch: ▪ Wireless transmission status: <i>GREEN</i> on/off ▪ Modulation peek (if activated): <i>RED</i> ▪ Battery lifetime status: <i>GREEN - steady</i> (> 25%) - <i>slowly blinking</i> (< 25%) - <i>quickly blinking</i> (<12%) ▪ Ptt status: <i>RED</i> if active
<b>Display</b>	High contrast OLED (Organic light-emitting diode) bicolor display (96 x 36 pixels) 8 step battery lifetime indication: 7 <u>bars</u> (100%-87%-75%-63-50%-38%-25%) and "empty bar" quickly blinking (12% remaining)
<b>PTT function</b>	Pin 3 of the AF connector can be setup to an external push button
<b>Power supply</b>	2 AA size batteries (Alkaline, rechargeable NiMH)
<b>MTP40 Battery life</b> (2 AA alkaline)	▪ approx. 10 hours @ 50mW continuous working (5h MTP41) ▪ approx. 14 hours @ 10mW continuous working (7h MTP41)
<b>Dimensions</b>	73 x 61 x 17.5 mm (Height-Width-Depth) without clip
<b>Weight</b>	Approx. 80 g. without batteries (120g with batt.)

**OPTION CODE MTP40-XYZ-O:**
**- AUDIO CONNECTOR (-X)**

- 1** 3 PIN LEMO CONNECTOR  
(use FVB.00.303.NLAE24 on Mic)
- D** 2 PIN MICRODOT CONNECTOR

**- FREQUENCY RANGE (-Z)**

- 1** 470-640 MHz
- 2** 566-798 MHz
- 3** 510-698 MHz

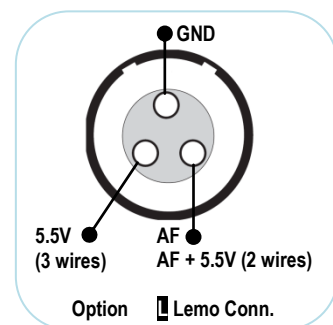
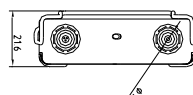
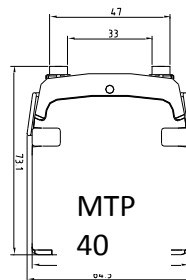
**- COLOR (-Y)**

- B** body color "matt black"
- P** body color "titanium gray" (ceramic coating)

**- OTHER OPTIONS (-O)**

- ADT** Compatible with dummy batt. pack

EXAMPLE: MTP40 LB1 is 3 pin LEMO connector, color matt black, and 470-638 MHz frequency range



**Note:** MTP40 transmitter complies with ETS 300 422