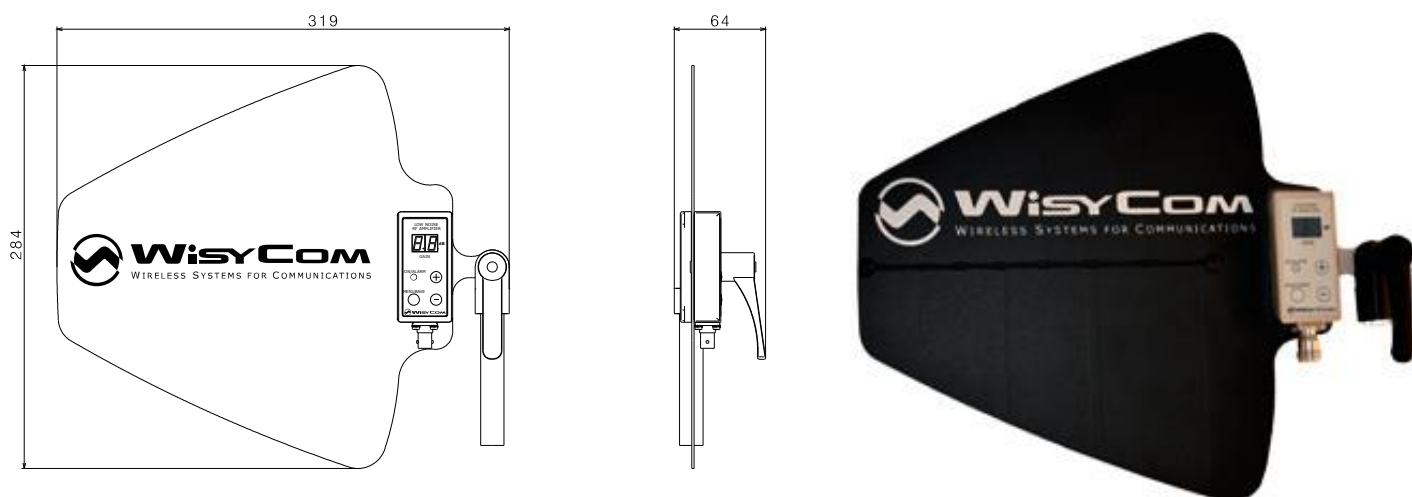


UHF WIDEBAND ANTENNA 470-870 MHz



LNNA is a wideband UHF antenna LPDA (log periodic dipole Array). It enhances reception providing approx. 6dB gain with a typical beam-width of 90 degrees.

Antenna Data

- Dimension: 319 mm x 284 mm x 64 mm [LxHxD]
- Material: Epoxy fiberglass (copper – clad)
- Finishing: Black matte
- Mounting: 5/8" Withworth or 3/8" with adapter
- Weight: 500g

Booster Specifications

- Frequency : UHF (470 ÷ 870 MHz)
- Input/output impedance : 50 ohm (SWR = < 1:1.5; typ. = 1:1.4)
- Connectors : N type (BNC type on request with CNGT11 adapter)
- Gain (max) : 0÷15 dB (typical), selectable in step of 1 dB (+/- button)
- OIP3 : **+43 dBm (Output 3° order Intercept Point) typical**
- Gain flatness : ± 1 dB, in the whole working window
- Powering : +12 V, 100mA

Typical attenuation of most used coax. cables (for length = 100 m):

Cable type	Diameter (mm)	Attenuation @ 400 MHz	Attenuation @ 900 MHz
RG 58 C/U	4.95	32 dB	52 dB
RG 213 /U	10.3	13 dB	22 dB
RG 218 /U	22.1	7 dB	14 dB
Cellflex - 1/4" foam dielectric	8.8	8.4 dB	12.8 dB