

48-712 TELEGARTNER BNC Male cable, crimp, 75 ohm, group Q

48-772 TELEGARTNER BNC Male cable, crimp, 75 ohm, group Q (pack of 100)

Mechanical Characteristics:

Cable Group:	Canford	Q	Telegartner	G13
Interface dimensions acc. to	IEC 61169-8			
Mating life	>500			

Materials

Centre contact	CuZn39Pb3
Outer contact	CuZn39Pb3
Other metal parts	CuZn39Pb3
Crimp ferrule	Copper
Insulator	PTFE
Gasket	Silicone

Finish

Cu1Ni2Au0.8
Cu2Ni5
Cu2Ni5
Nickel

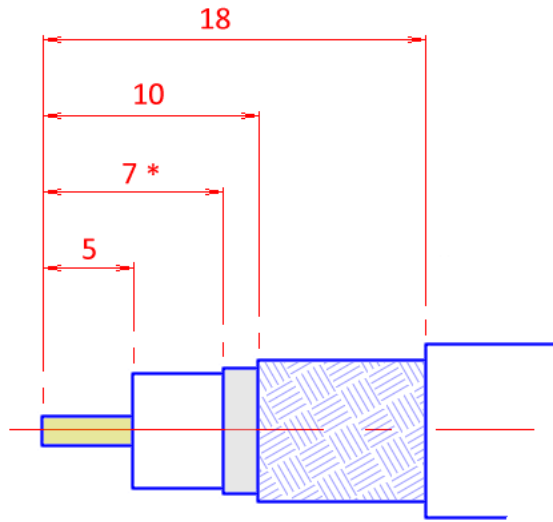
Electrical characteristics:

Impedance	75 Ω
Frequency	0-4 GHz
Working voltage	≤ 0.5 kVeff / 50 Hz
Voltage proof	1.5 kVeff / 50 Hz
Insulation resistance	≥ 5 GΩ
Centre contact resistance	≤ 20 mΩ
Outer contact resistance	≤ 5 mΩ

Environmental:

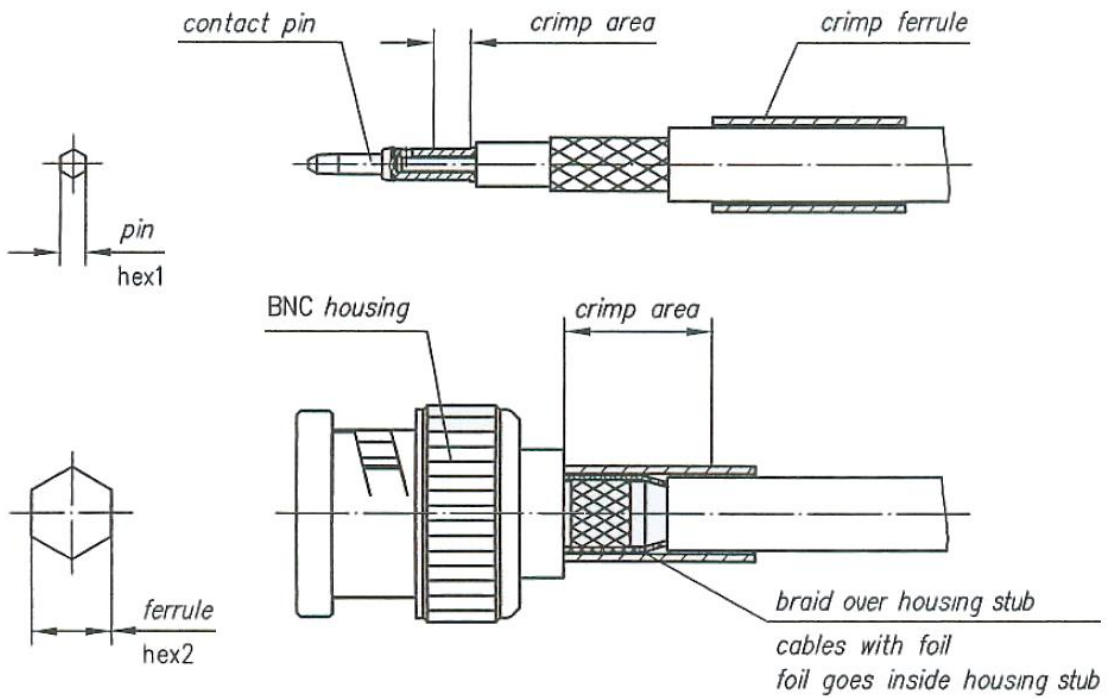
Operating temperature	-40°C to +75°C
RoHS compliant	2011/65/EU

Cable Prep:



All dims: mm
 Not to scale
 * To foil screen if present

Crimp Details:



Hex1 Pin 1.69
 Hex2 Ferrule 6.48

Tooling:

55-752 PALADIN 8000 Coaxial crimp tool
 55-764 PALADIN 3703 DIE SET for group Y and Telegartner BNC HD groups Q, X, Y

Handset and die sold as singular item:

55-3221 CANFORD COAXIAL CRIMP TOOL Blue, for Telegartner BNC, cable groups Q, X, Y