

## Technical Data Sheet

### TECPRO 200 SERIES HEADSETS

**27-210** TECPRO SMH210 Single muff headset

**27-220** TECPRO DMH220 Dual muff headset

**27-223** TECPRO DMH220 Dual muff headset (XLR 5 pin connector)

#### 200 SERIES

**SMH 210 – Single Muff**

**DMH 220 – Dual Muff**

#### 200 SERIES

- Robust construction with only two moving joints
- Hidden fixings hinder tampering but allows repairs
- Noise cancelling mic on flexible steel-reinforced boom
- Steel core cable for extra strength
- Soft comfortable earpad/headband cushions
- Wide, smooth response for reduced listening fatigue
- Full range of spare parts available

#### TECHNICAL SPECIFICATION (200 & 300 SERIES)

##### Headphone

Nominal impedance: 400 ohm each at 1kHz

Frequency response: 20–20,000Hz

Sensitivity: 94dB s.p.l. for 1mW

Distortion: Less than 0.5%

Max. rated power handling: 0.5 watts

##### Microphone

Type: Dynamic, uni-directional

Nominal impedance: 200 ohm at 1kHz

Frequency response: 200 Series: 300 – 11,000Hz

300 Series: 40 – 15,000Hz

##### Approx. weight

DMH135 - 170g

SMH210 - 210g

DMH220 - 250g

SMH310 – 220g

DMH320 – 350g



##### Cable

1.5m steel braced.

#### WIRING CONVENTIONS

##### XLR 4 pin:

Pin 1 Microphone earth/screen

Pin 2 Microphone signal

Pin 3 Earphones earth/screen

Pin 4 Earphones signal

*The following for BP116 & BP117 Dual Circuit Binaural Tecpro Beltpacks only.*

##### XLR 5 pin:

Pin 1 Microphone earth/screen

Pin 2 Microphone signal

Pin 3 Earphones earth/screen

Pin 4 Left earphone signal

Pin 5 Right earphone signal

#### SPARE PARTS

##### 200 Series

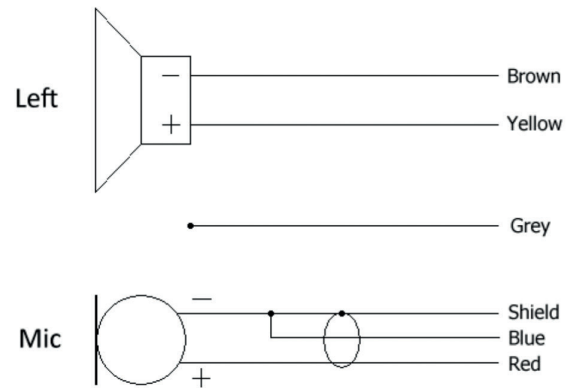
For details and pricing of 200 series spares browse to:  
<https://www.canford.co.uk/CANFORD-HEADPHONE-AND-HEADSET-SPARE-PARTS-200-Series>

**DMH 210 – WIRING SCHEMATIC**

**XLR 4 pin female:**

- Pin 1 Shield/Blue
- Pin 2 Red
- Pin 3 Brown
- Pin 4 Yellow

Grey not used



**DMH 220 – WIRING SCHEMATIC**

**XLR 4 pin female:**

- Pin 1 Shield/Blue
- Pin 2 Red
- Pin 3 Brown
- Pin 4 Yellow/Grey

**XLR 5 pin female:**

- Pin 1 Shield/Blue
- Pin 2 Red
- Pin 3 Brown
- Pin 4 Yellow
- Pin 5 Grey

