

TECPRO HH5 FIST MIC FOR LS300 SERIES

27-915 Tecpro HH5 Fist Mic

DESCRIPTION

The HH5 fist mic is designed for use with the Tecpro Loudspeaker stations.

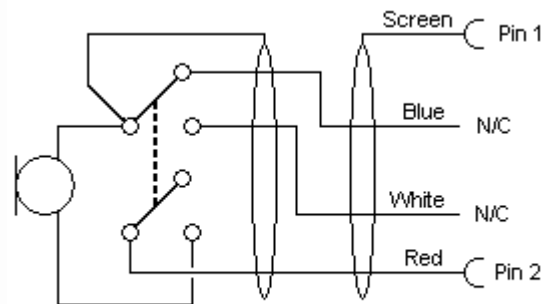
A push to talk switch on the side of the case opens the microphone circuit; releasing the switch mutes the microphone to prevent unwanted noise from appearing on the intercom ring.

The microphone cable is terminated in a 4-pin female, XLR-type connector.

INSTALLATION

The included microphone holder may be attached to an appropriate surface close by the Tecpro Loudspeaker station. Ensure that the clip is fitted by a suitably competent person.

WIRING DIAGRAM



Switch shown in rest position.

TECHNICAL SPECIFICATION

Type:	Dynamic
Impedance:	500 ohms
Frequency response:	3000 – 6K ohms
Sensitivity:	2.5mV/Pa @1KHz
Dimensions:	100 x 54 x 40mm approx. (Not including switch or cable)
Cable:	Coiled, 360mm long,