



TECHNICAL DATA SHEET

TECPRO AD913 WALKIE-TALKIE INTERFACE

27-913 TECPRO AD913 WALKIE-TALKIE INTERFACE

I CONNECTING THE STATION TO THE SYSTEM

Most modern mobile radio systems are FM and are equipped with a squelch or mute facility so that the radio is silent in the absence of an incoming signal.

The AD913 is intended for use with such a system and use with AM, SSB or other systems without mute is not recommended.

As there is such a wide range of compatible transceivers it is not possible to give definite instructions for setting up but the diagrams at the end, however, should be able to offer a guide to most systems.

The "loop through" wiring to the rest of the outstations is via the 3-pin XLR type connectors wired as follows:

Pin 1 - Ground

Pin 2 - 24 volts

Pin 3 - Audio line.

The "loop through" output cannot be used except with very low power transmitters (less than 100mW output). Therefore the AD913 normally has to be used as the end of a line or as a spur to a line. (A spur can easily be set up with an SB901 Splitter box).

This spur or line must be a minimum of 3m long and kept straight, without loops etc, and must point away from the remainder of the wired circuit. The transmitting antenna is then placed beyond that. In other words, with the exception of the AD913's own cable the antenna must be

at least 3m from any other part of the wired system.

Example: The existing wired circuit runs along a wall.

A spur is taken off this and taken at right angles away from the wall for at least 3m and plugged into the AD913. A walkie-talkie is connected and placed further from the wall still.

For use with higher power transmitters, typically mobile units or fixed base units the above still applies.

However these units do not have an integral antenna and this should be located still further from the wired circuit, up to 10m away, unless there is a metal screen in between, eg a vehicle roof.

2 ADJUSTING THE OPERATING LEVELS.

With the system connected and switched on, the operating levels should be adjusted. Without the signal flash lamps activated, set the volume control on the radio set to mid track, and adjust the squelch for correct mute operating, if fitted. Transmit normal speech from a remote unconnected transceiver; this should be heard on the main wired system. Adjust the "receive" preset on the AD913 until this remote radio signal is heard at a reasonable level.

Next press the signal flash lamp on the wired outstation and speak into the system. The remote unconnected transceivers should be able to hear the speech. Adjust the "send" preset on the AD913 until the speech is heard at a reasonable level in the remote transceivers.

TECHNICAL SPECIFICATION

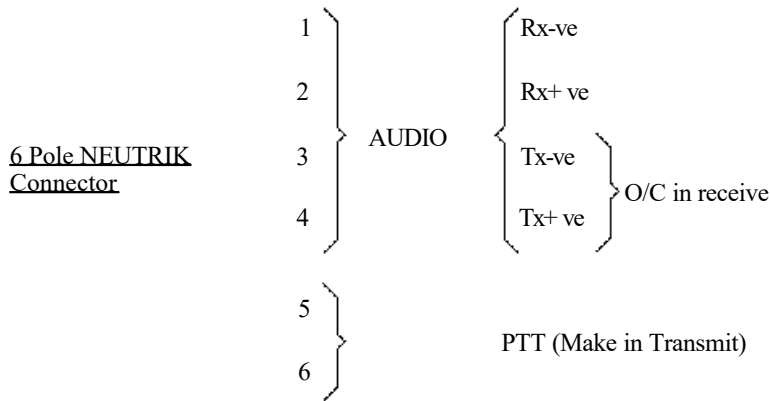
Power requirements:	24-30 DC, 15-25mA from comms system.
External input:	To suit earphone/speaker levels, 10k ohms nominal balanced and floating
External output:	To suit mic inputs, 200 ohm nominal source balanced and floating open circuit in receive mode.
External PTT:	Single pole contact, closed circuit in transmit, rated 0.25A at 28VDC
Connections:	Transceiver via XLR 6 pin male (Neutrik). Intercom ring (2-wire) via XLR 3 pole male and female (loop-through)
Optional accessory:	AL914 is readymade cable to interface the AD913 to the Maxon SL70 series VHF/UHF hand portables.
Dimensions:	55 x 93 x 110mm
Weight:	450g
Construction:	Black anodised extruded case with glass filled nylon bezels for protection.



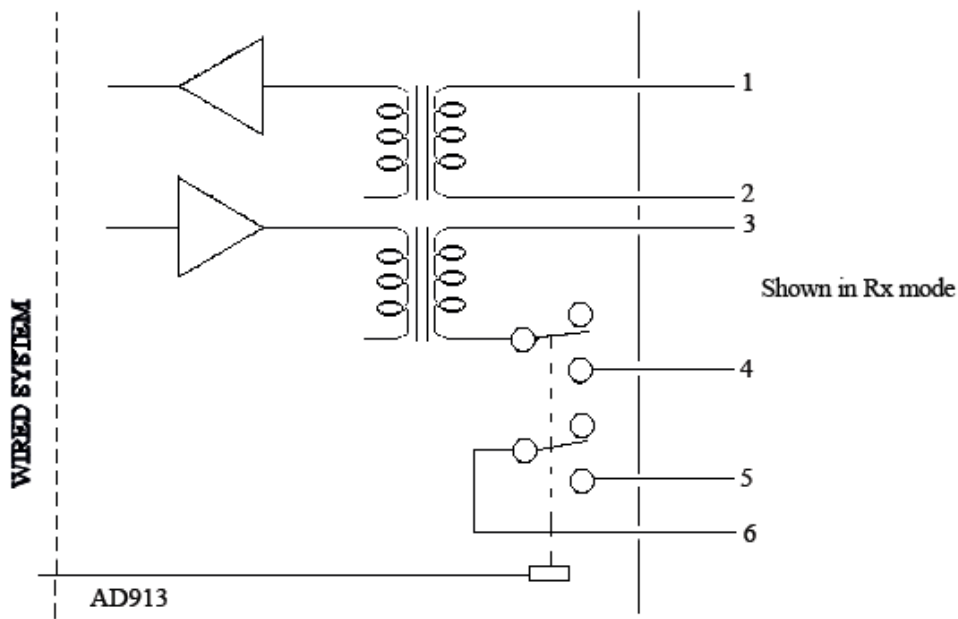
TECHNICAL DATA SHEET

AD913 SIMPLEX RADIO ADAPTER

RADIO CONNECTING DETAILS



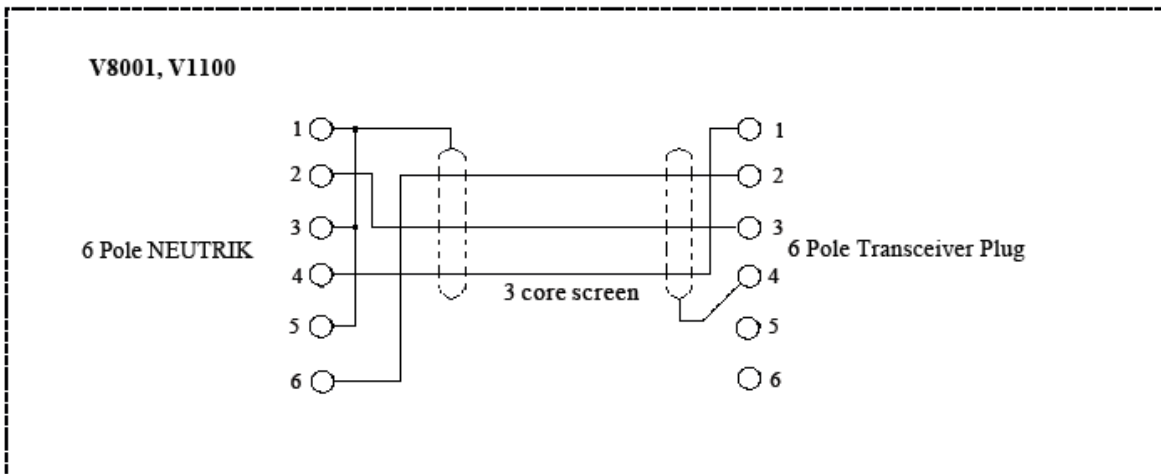
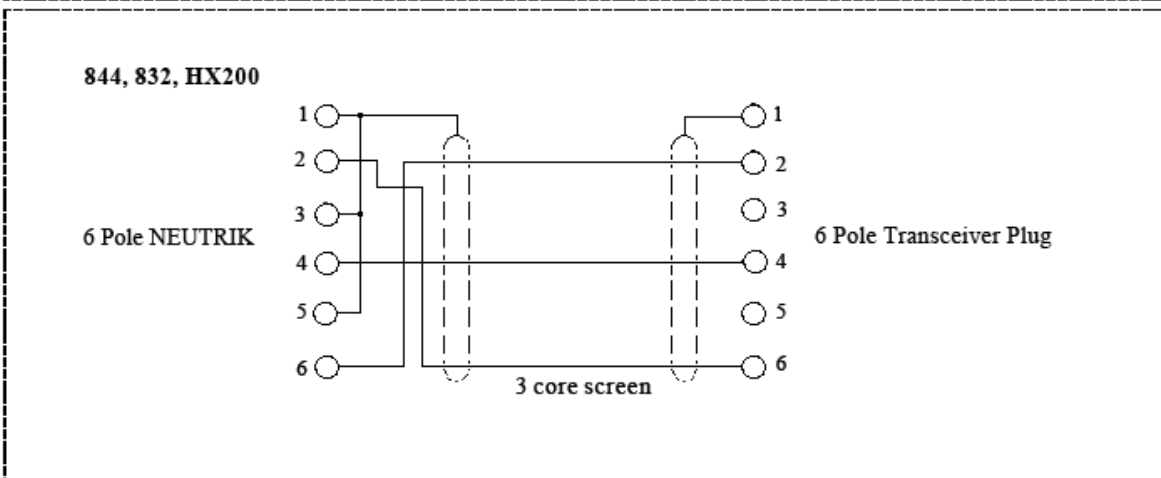
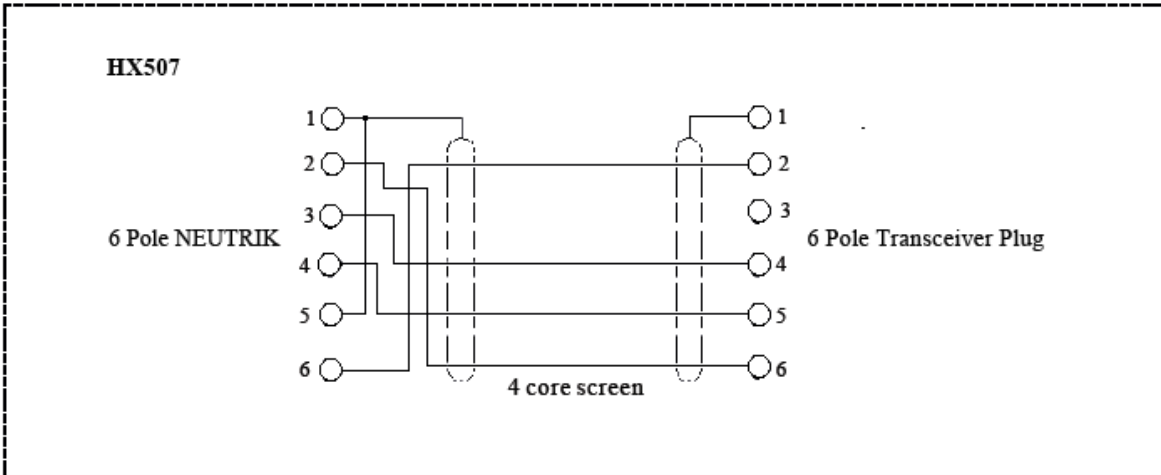
FUNCTIONAL DIAGRAM





TECHNICAL DATA SHEET

COMMUNIQUE (STANDARD COMMUNICATIONS)

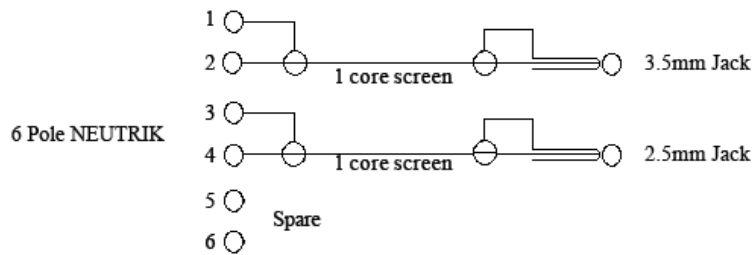




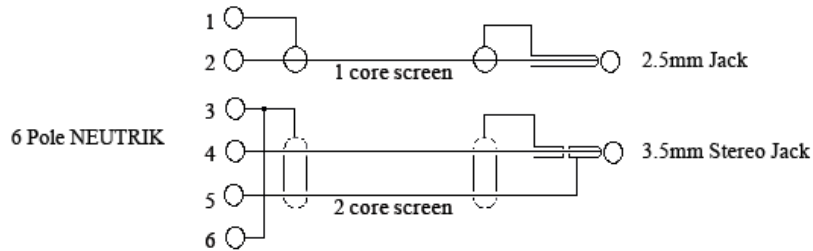
TECHNICAL DATA SHEET

COMMON COMMERCIAL TRANSCEIVER CONNECTIONS

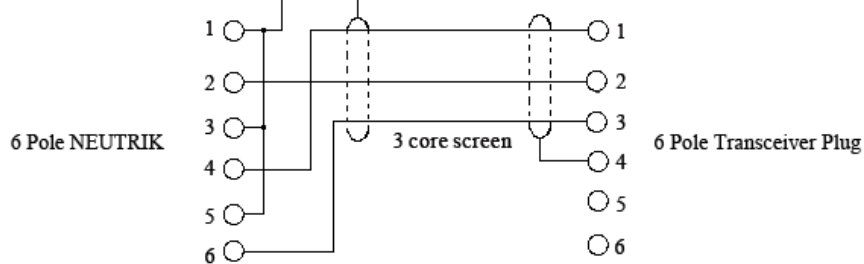
ICOM, MAXON, ETC (Handportables)



ZYCOMM U200 ETC.



YAESU VHF Handportable



YAESU UHF Handportable

