

Accessories

POLE MOUNT ADAPTOR

- Pole mount adaptor for use with AMS surface mount loudspeakers
- For use with AMS loudspeaker yoke bracket
- Fits standard support poles from 3" to 9" diameter
- Suitable for indoor and outdoor installation
- High quality zinc passivated steel provides enhanced corrosion resistance
- Hard wearing semi matt black powder coat finish fits unobtrusively in any environment
- 10-Year Warranty Program*
- Designed and engineered in the U.K.

Designed specifically for users wishing to install AMS Series surface mount loudspeakers on standard 3 - 4" (76.2 - 228.6 mm) indoor and outdoor support poles, the POLE MOUNT ADAPTOR is an ideal and cost effective solution. Constructed of high quality zinc passivated steel, the POLE MOUNT ADAPTOR is engineered to mate with AMS Series yoke brackets for fast and secure pole deployment.

Finished in a hard wearing semi matt black powder coat, the resulting installation blends unobtrusively into the surrounding environment.



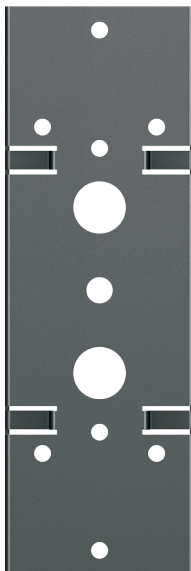
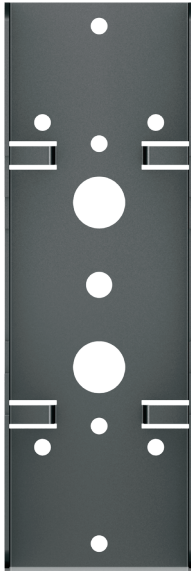
You Are Covered

We always strive to provide the best possible Customer Experience. Our products are made in our own [MUSIC Tribe](#) factory using state-of-the-art automation, enhanced production workflows and quality assurance labs with the most sophisticated test equipment available in the world. As a result, we have one of the lowest product failure rates in the industry, and we confidently back it up with a generous [Warranty program](#).

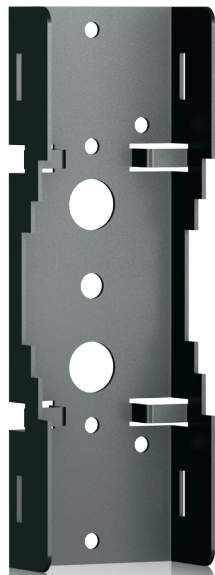
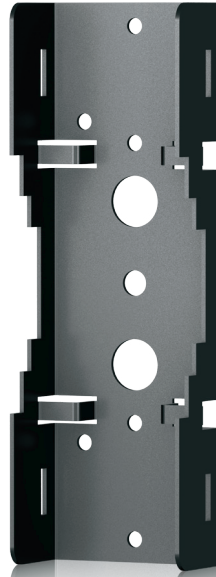


*Warranty details can be found at musictri.be.

POLE MOUNT ADAPTOR



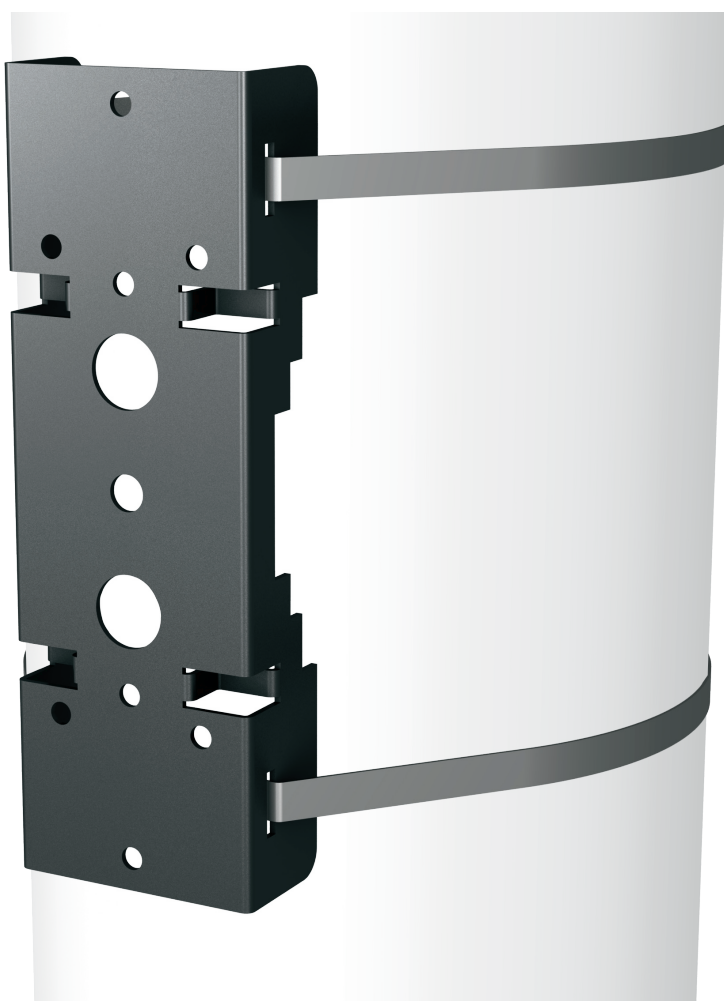
POLE MOUNT ADAPTOR



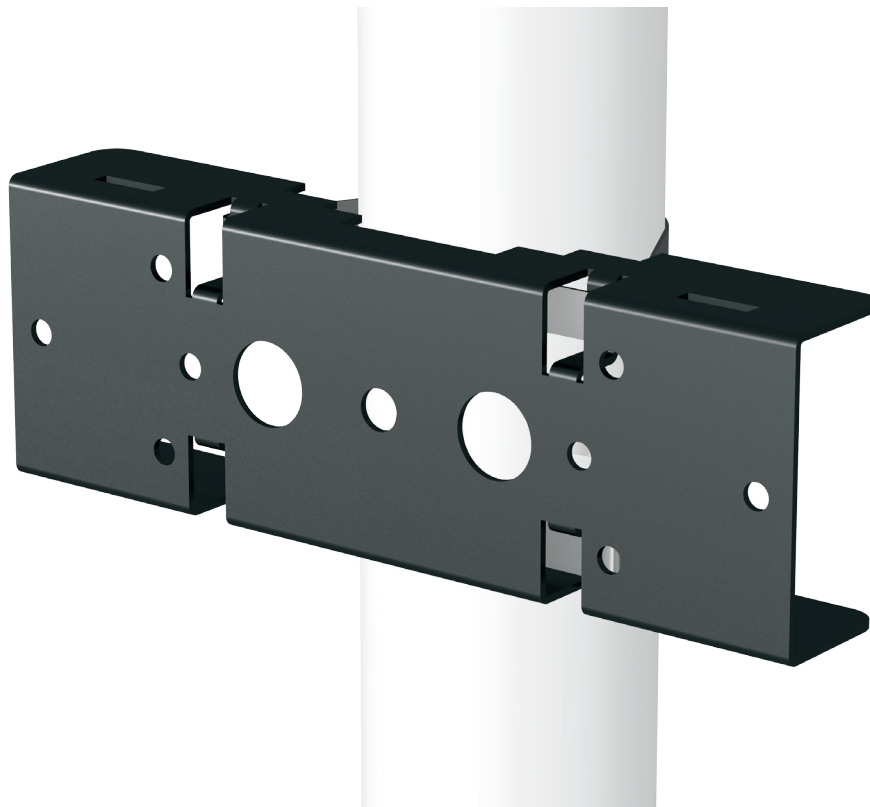
POLE MOUNT ADAPTOR



POLE MOUNT ADAPTOR



POLE MOUNT ADAPTOR



For service, support or more information contact the TANNOY location nearest you:

Europe
MUSIC Tribe Brands UK Ltd.
Tel: +44156 273 2290
Email: CARECrea@music-group.com
CAREEnte@music-group.com
CARELife@music-group.com

USA/Canada
MUSIC Tribe Commercial NV Inc.
Tel: +1 702 800 8290
Email: CARECrea@music-group.com
CAREEnte@music-group.com
CARELife@music-group.com

Japan
MUSIC Tribe Services JP K.K.
Tel: +81 3 6231 0453
Email: CARECrea@music-group.com
CAREEnte@music-group.com
CARELife@music-group.com

MUSIC Tribe accepts no liability for any loss which may be suffered by any person who relies either wholly or in part upon any description, photograph, or statement contained herein. Technical specifications, appearances and other information are subject to change without notice. All trademarks are the property of their respective owners. MIDAS, KLARK TEKNIK, LAB GRUPPEN, LAKE, TANNOY, TURBOSOUND, TC ELECTRONIC, TC HELICON, BEHRINGER, BUGERA and COOLAUDIO are trademarks or registered trademarks of MUSIC Tribe Global Brands Ltd. © MUSIC Tribe Global Brands Ltd. 2018 All rights reserved.

TANNOY