

The TC-651M is a highly intelligible, general-purpose speaker suited to public address announcement applications. Its external speaker component finished with powder coating, and stainless steel screws ensure the unit's weatherproof capability.

---



Article number TC-651M

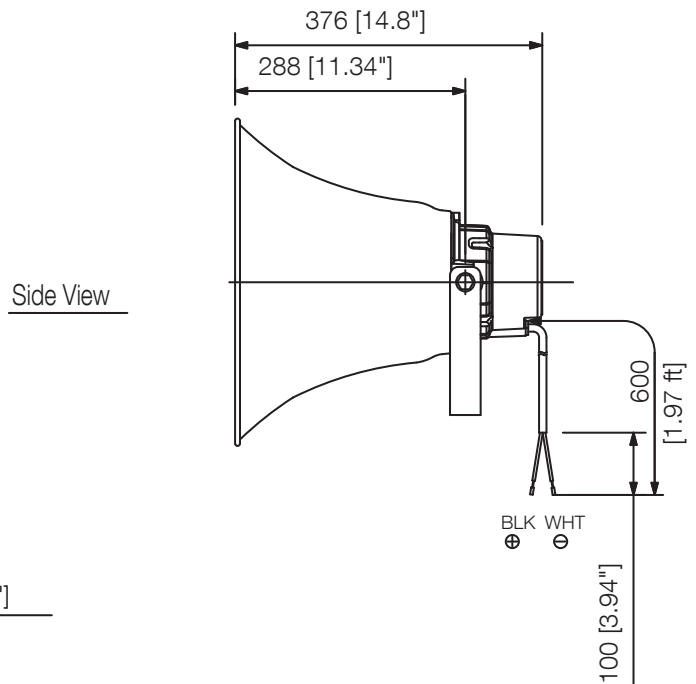
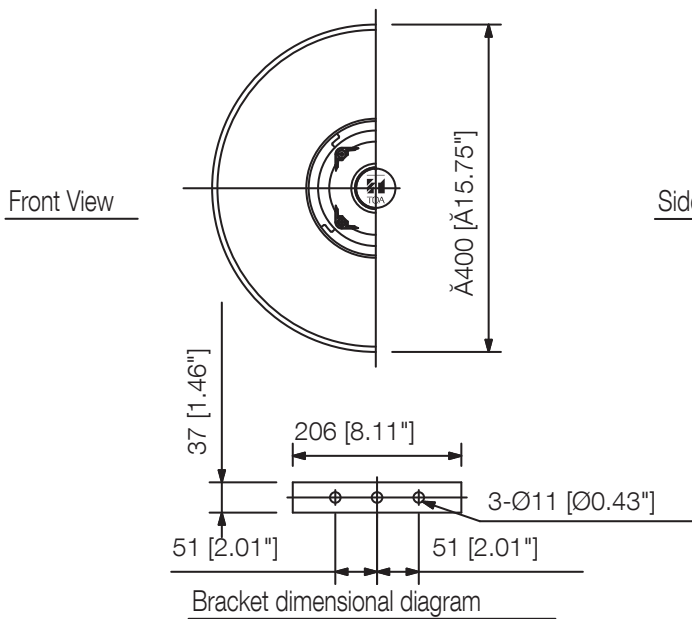
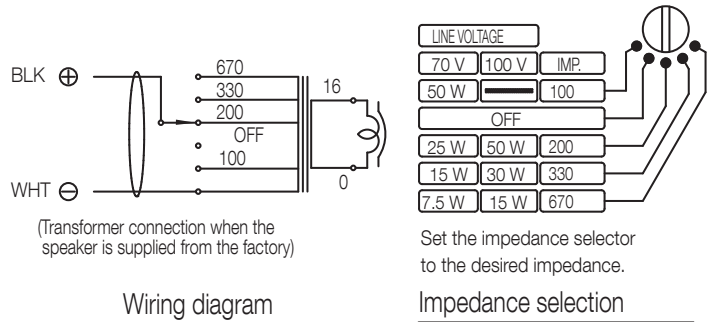
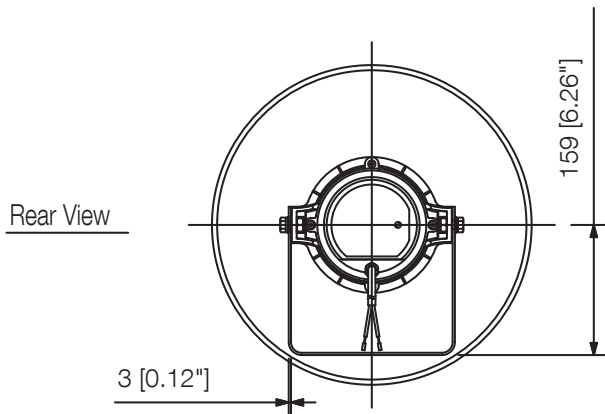
---

## Specifications

Dimensions (W x H x D)	x 376
Dimensions (ø x D)	400 x 376 mm
Finish	Aluminium, powder coating, traffic white (RAL 9016 or equivalent),
Operating temperature	-20°C to +60°C

Appearance

CAUTION  
NEVER SET THE SWITCH TO " " POSITION  
FOR 100 V LINE OPERATION, AS DOING SO MAY  
RESULT IN DAMAGE TO THE SPEAKER.



UNIT:mm

SCALE:1/10