

The TC-615 is a highly intelligible, general-purpose speaker suited to public address announcement applications. Its external speaker component finished with powder coating, and stainless steel screws ensure the unit's weatherproof capability.

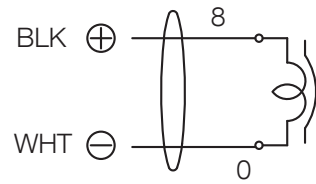
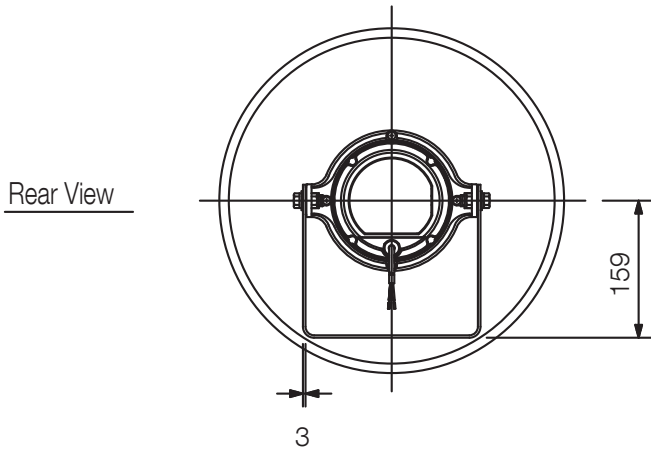


Article number TC-615 EU

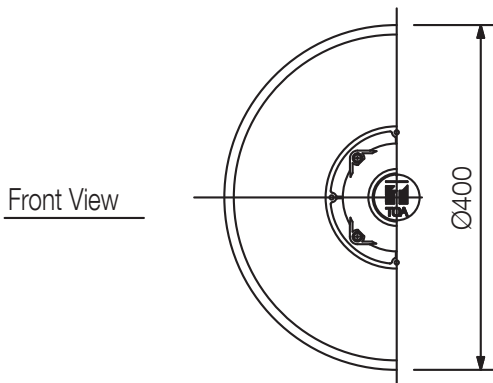
Specifications

Dimensions (W x H x D)	x 376
Dimensions (ø x D)	400 x 376 mm
Finish	Aluminium, powder coating, traffic white (RAL 9016 or equivalent),
Operating temperature	-20°C to +55°C

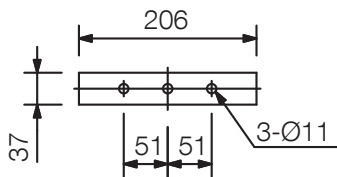
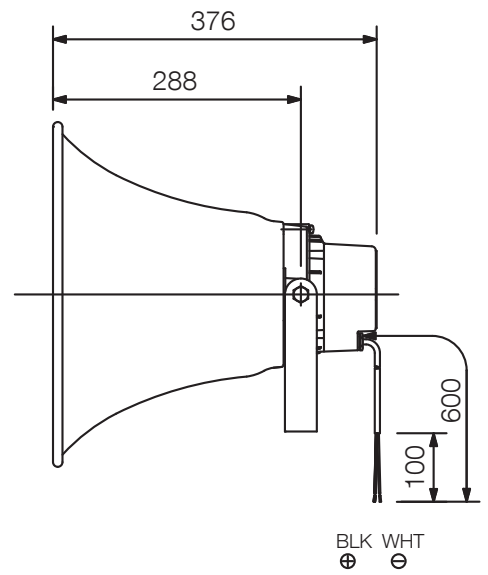
Appearance



Wiring diagram



Side View



Bracket dimensional diagram

UNIT:mm

SCALE:1/10