

Q-G® CONNECTOR-ADAPTERS

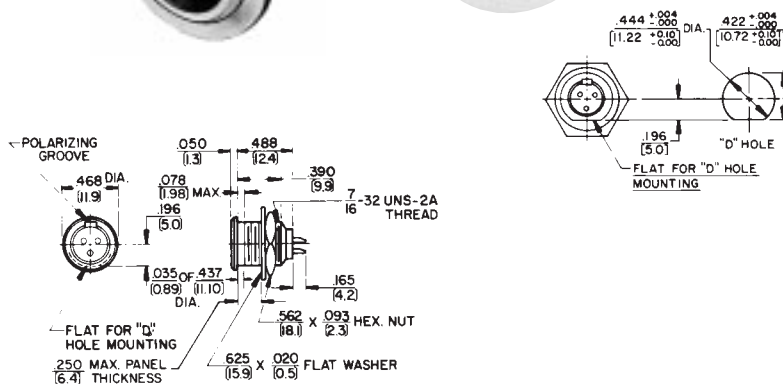
TA(*)F, TA(*)FL AND TA(*)FB CORD PLUG



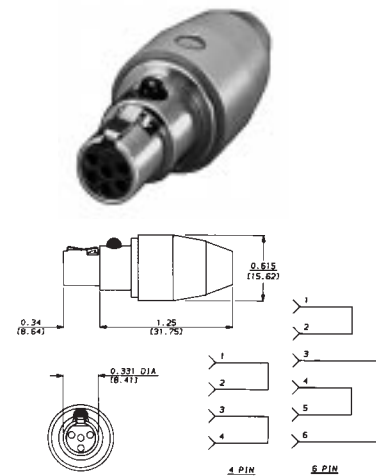
TA(*)M, TA(*)MB, TA(*)ML AND TA(*)MLB CORD PLUG



TB(*)M AND TB(*)MB RECEPTACLE



TLP(*) LOOPING PLUG



Looping plug is designed for circuit testing. Other inserts and wiring patterns are possible; contact Switchcraft.

Male receptacle for chassis/panel mounting. Specially designed flange permits close (front) mount on crowded panels. Mounting hardware supplied.

DIMENSIONS ARE FOR REFERENCE ONLY $\frac{\text{Inch}}{\text{(mm)}}$

NOTE: Contact your Switchcraft Representative for price and delivery.