



ANI22

Audio Network Interface

Complete user guide for the ANI22. Includes system diagrams, specifications, installation instructions, command strings, and more.
Version: 3 (2020-B)

Table of Contents

ANI22 Audio Network Interface	3	Audio Settings	15
Safety Information	3	Adjusting Input levels	15
IMPORTANT SAFETY INSTRUCTIONS	3	Adjusting Output Levels	16
General Description	4	Metering Options (Pre-gain and Post-gain)	16
Getting Started	4	Parametric Equalizer	16
Step 1: Connect to a Network	4	Custom Presets	19
Step 2: Access the Web Application	4	Networking and Dante	20
Step 3: Connect Devices in Dante Controller Software	5	Dante Transmit Flows	20
Step 4: Configure Audio	5	Pushing Device Names to the Dante Network	20
Get More Information	6	Compatibility with Dante Domain Manager	20
Hardware and Installation	6	QoS (Quality of Service) Settings	20
Hardware	7	IP Ports and Protocols	21
Power Over Ethernet (PoE)	9	Event Log	22
Reset	9	Using a Third-Party Control System	23
Installation and Rack Mounting	10	Important Product Information	23
Signal Flow and Connections	12	Information to the user	23
Connections and Signal Flow	12	Certifications	24
Summing	13	Specifications	24
Encryption	14	Accessories	26
Logic Applications	14	Furnished Accessories	27
Device Identification	15	Optional Accessories and Replacement Parts	27

ANI22

Audio Network Interface

Safety Information

IMPORTANT SAFETY INSTRUCTIONS

1. READ these instructions.
2. KEEP these instructions.
3. HEED all warnings.
4. FOLLOW all instructions.
5. DO NOT use this apparatus near water.
6. CLEAN ONLY with dry cloth.
7. DO NOT block any ventilation openings. Allow sufficient distances for adequate ventilation and install in accordance with the manufacturer's instructions.
8. DO NOT install near any heat sources such as open flames, radiators, heat registers, stoves, or other apparatus (including amplifiers) that produce heat. Do not place any open flame sources on the product.
9. DO NOT defeat the safety purpose of the polarized or grounding type plug. A polarized plug has two blades with one wider than the other. A grounding type plug has two blades and a third grounding prong. The wider blade or the third prong are provided for your safety. If the provided plug does not fit into your outlet, consult an electrician for replacement of the obsolete outlet.
10. PROTECT the power cord from being walked on or pinched, particularly at plugs, convenience receptacles, and the point where they exit from the apparatus.
11. ONLY USE attachments/accessories specified by the manufacturer.
12. USE only with a cart, stand, tripod, bracket, or table specified by the manufacturer, or sold with the apparatus. When a cart is used, use caution when moving the cart/apparatus combination to avoid injury from tip-over.



13. UNPLUG this apparatus during lightning storms or when unused for long periods of time.
14. REFER all servicing to qualified service personnel. Servicing is required when the apparatus has been damaged in any way, such as power supply cord or plug is damaged, liquid has been spilled or objects have fallen into the apparatus, the apparatus has been exposed to rain or moisture, does not operate normally, or has been dropped.
15. DO NOT expose the apparatus to dripping and splashing. DO NOT put objects filled with liquids, such as vases, on the apparatus.
16. The MAINS plug or an appliance coupler shall remain readily operable.
17. The airborne noise of the Apparatus does not exceed 70dB (A).
18. Apparatus with CLASS I construction shall be connected to a MAINS socket outlet with a protective earthing connection.
19. To reduce the risk of fire or electric shock, do not expose this apparatus to rain or moisture.
20. Do not attempt to modify this product. Doing so could result in personal injury and/or product failure.
21. Operate this product within its specified operating temperature range.

	This symbol indicates that dangerous voltage constituting a risk of electric shock is present within this unit.
	This symbol indicates that there are important operating and maintenance instructions in the literature accompanying this unit.

General Description

The Shure ANI22 Audio Network Interface provides 2 channels of Dante-to-analog and 2 channels of analog-to-Dante conversion. A single interface provides a simple way to connect analog equipment to the audio network, such as wireless microphones, audio processors, video codecs, and loudspeaker systems. Available in XLR and block connector versions, each box uses a single network cable to carry audio and power through Power over Ethernet (PoE). A browser-based web application controls audio and network settings from any computer connected to the same network.

Getting Started

This device features a browser-based web application, which controls audio and network properties. Upon completing this basic setup process, you will be able to:

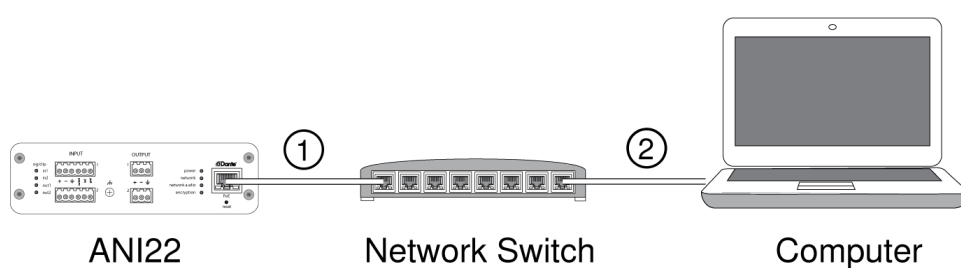
- Access the web application to customize audio settings and network properties
- Use Dante™ Controller software to connect with other Dante devices and pass audio
- Access additional configuration information

Step 1: Connect to a Network

1. Use an Ethernet cable (CAT5e or higher) to connect the ANI22 to a network switch.

Note: The network switch must provide Power over Ethernet (PoE). Make sure to connect to a PoE port, since many switches do not supply power on all ports.

2. Connect a computer to the network switch with an Ethernet cable

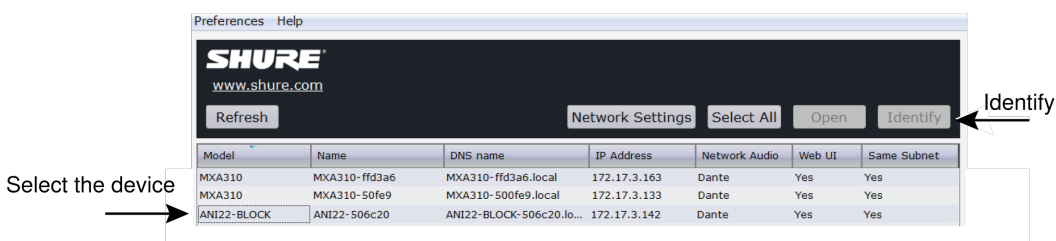


Step 2: Access the Web Application

1. Download and install the **Shure Device Discovery application** (<http://www.shure.com>)
2. Open the Shure Device Discovery application

3. Double-click the device to open the web application.

Tip: If setting up multiple Shure devices, use the Identify button in the application to flash the lights on the device.

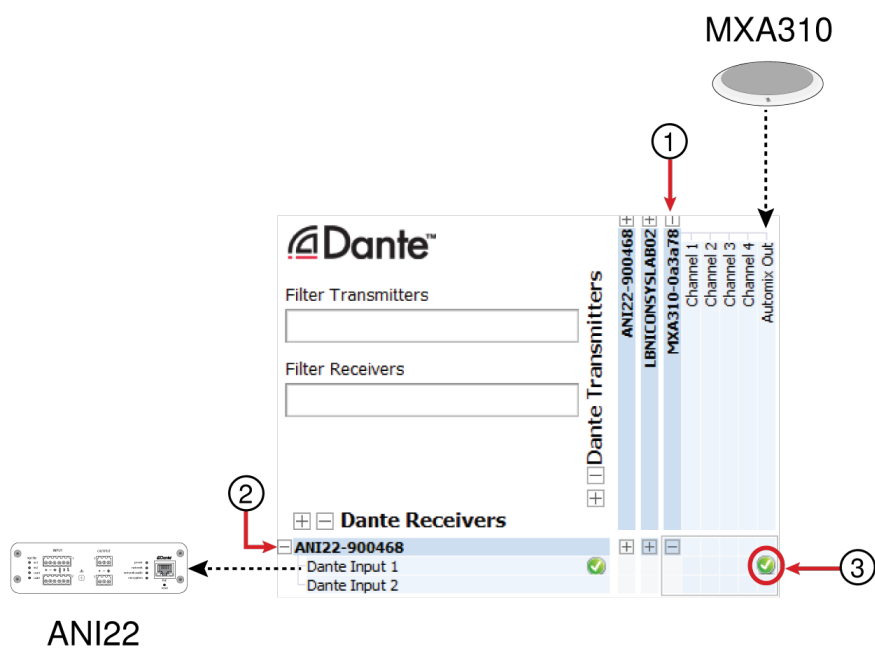


Step 3: Connect Devices in Dante Controller Software

1. Download and install Dante Controller Software from <http://www.audinate.com>
2. Use Dante Controller to create connections with other Dante devices

Note: Refer to the Dante Controller user guide for more information on channel routing (available at <http://www.audinate.com/resources/technical-documentation>)

Example: Connecting the ANI22 and Shure MXA310

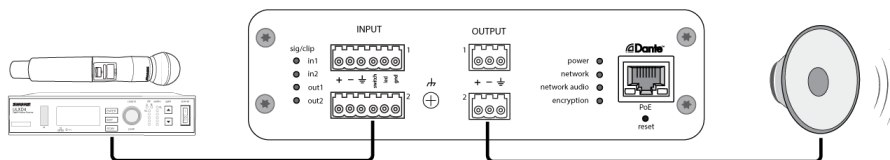


1. Find the MXA310 in the list of Dante transmitters, and select the plus sign (+) to show all channels.
2. Find the ANI22 in the list of Dante receivers, and select the plus sign (+) to show all channels.
3. Check the box where the MXA310 **AUTOMIX OUT** and the ANI22 **DANTE INPUT 1** intersect

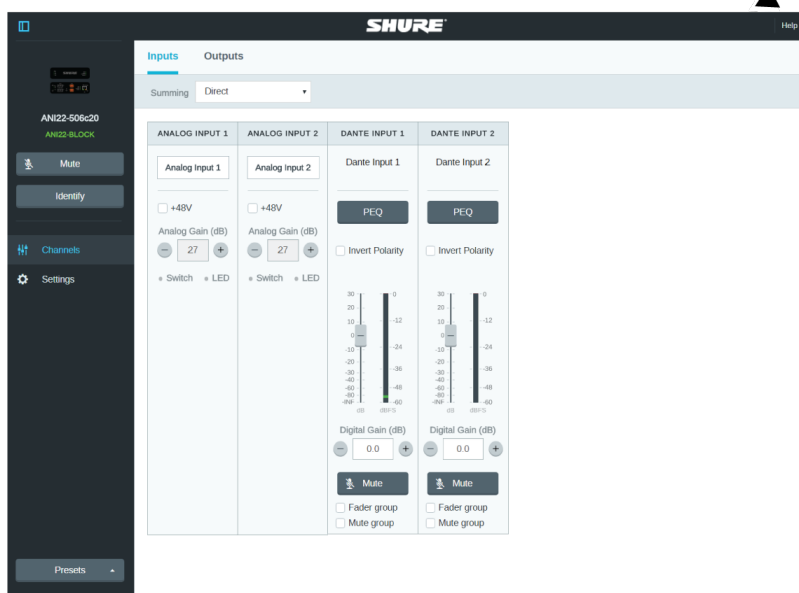
Step 4: Configure Audio

1. Connect analog equipment (such as loudspeakers or wireless microphone systems) to the analog inputs and outputs. Refer to the hardware section in this guide for information on connections and LED metering.

- In the ANI22 web application, adjust input and output levels and perform a sound check. Refer to the help topics in the web application for additional information.



Access the help section



Get More Information

Now that the basic setup is complete, you should have access to the web application and be able to pass audio between devices. More comprehensive information is available online and in the help section, including:

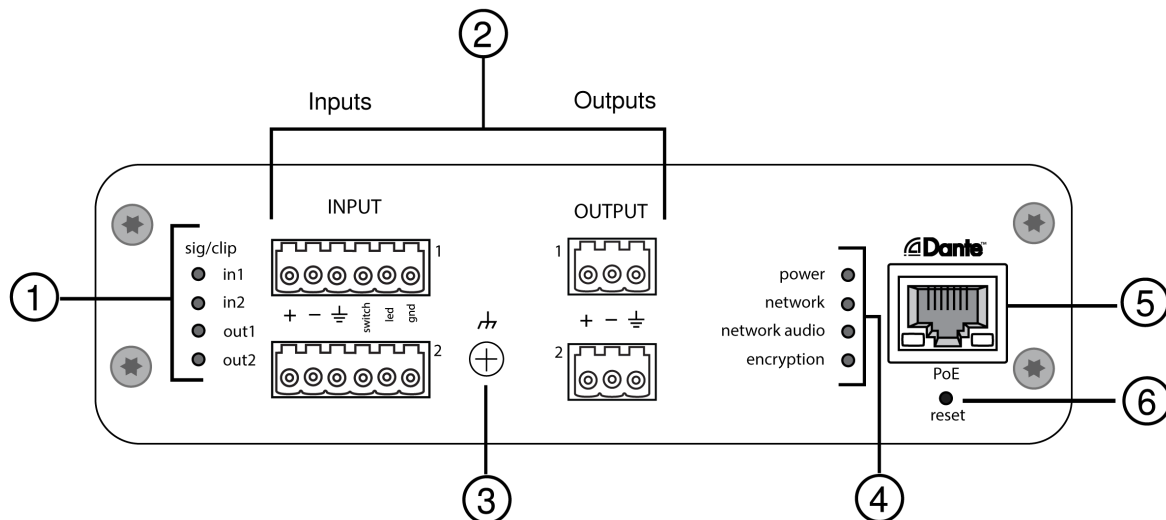
- Maximizing audio quality with the built-in parametric equalizer
- External control system command strings
- System scenario diagrams
- Software configuration
- Networking information
- Troubleshooting
- Replacement parts and accessories

The complete user guide is available at <http://pubs.shure.com/guide/ANI22>

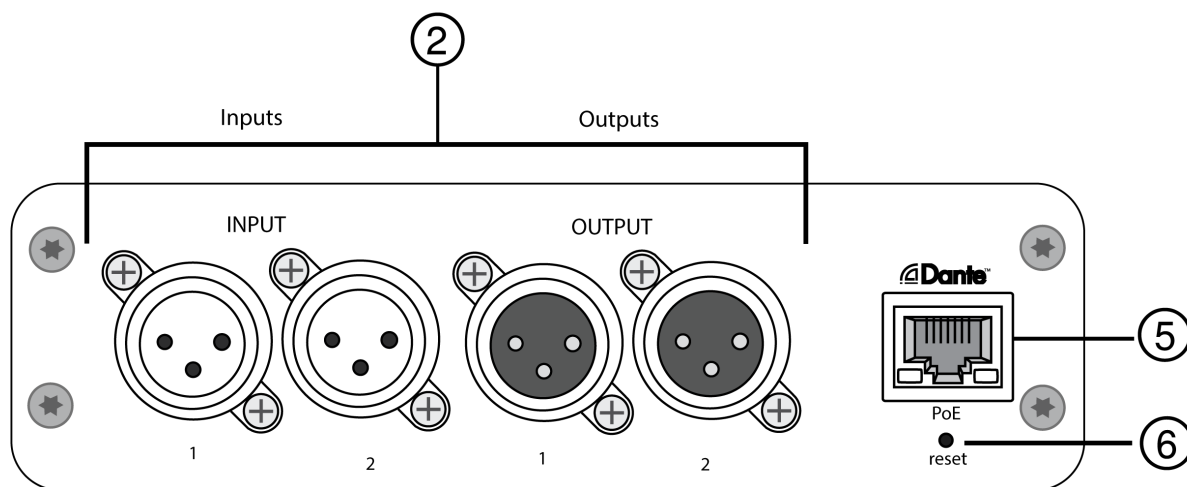
Hardware and Installation

Hardware

Block Connector Model:



XLR Model:



① Signal/Clip Indicators

Each indicator corresponds to a single channel. Analog and digital gain adjustments are made through the web application.

- If an input channel LED turns red, attenuate the level from the source device to prevent clipping at the input stage.
- If an output channel LED turns red, lower the corresponding Digital Gain (dB) fader for the Dante channel under the Input Channels tab. Do not lower the output level (line/aux/mic), as any clipping indicated on the LED occurs before the final output level stage.



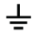
LED State	Audio Signal Level
Off	less than -60 dBFS
Green	-59 dBFS to -24 dBFS
Yellow	-23 dBFS to -1 dBFS
Red	0 dBFS or more

② Audio and Logic Connections




Note: Logic connections are only featured on the block connector version.

Block Connector Pin Assignments:

Input

	Audio +
	Audio -
	Audio ground
switch	Logic Mute (sent from microphone)
led	Logic LED (received by microphone)
gnd	Logic ground

Output

	Audio +
	Audio -
	Audio ground

XLR Pin Assignments:

1	Ground
2	Positive
3	Negative

③ Chassis Ground Screw

Provides an optional connection for microphone shield wire to chassis ground.

④ LED Indicators

Power: Power over Ethernet (PoE) present

Note: Use a PoE injector if your network switch does not supply PoE.

Network: Network connection active

Network Audio: Dante audio present on the network

Note: Error details are available in the event log in the web application.

LED Status	Activity
Off	No active signal
Green	Device is operating successfully
Red	Error has occurred. See event log for details.

Encryption:

LED Status	Activity
Off	Audio not encrypted
Green	Successful encrypted audio connection with another device
Red	Encryption error. Possible causes: Encryption is enabled on one device and not on another Passphrase mismatch

⑤ Dante Network Port

Connects to a network switch to send Dante audio, while receiving Power over Ethernet (PoE) and data from the control software. See the [Dante and networking](#) section for additional information.

⑥ Reset Button

Resets the device settings back to the factory default.

Power Over Ethernet (PoE)

This device requires PoE to operate. It is compatible with both **Class 0** and **Class 3** PoE sources.

Power over Ethernet is delivered in one of the following ways:

- A network switch that provides PoE
- A PoE injector device

Reset

The reset button is located inside a small hole in the rear panel. Use a paperclip or other small tool to press the button.

There are two hardware reset functions:

Network reset (press button for 4-8 seconds)

Resets all Shure control and audio network IP settings to factory defaults

Full factory reset (press button for longer than 8 seconds)

Restores all network and Designer settings to the factory defaults.

Software Reset Options

To simply revert settings without a complete hardware reset, use one of the following options:

Reboot Device:Power-cycles the device as if it were unplugged from the network. All settings are retained when the device is rebooted.

Default Settings: To revert audio settings back to the factory configuration (excluding Device Name, IP Settings, and Passwords), select Load Preset and choose the default settings preset.

Installation and Rack Mounting

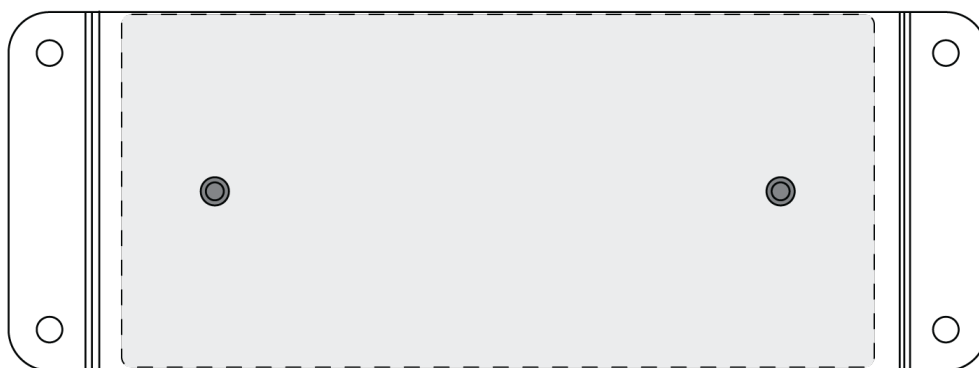
Two mounting solutions are available for installing the Audio Network Interface:

CRT1 19" Rack Tray (optional accessory): Supports up to 3 devices; mountable in a rack or under a table

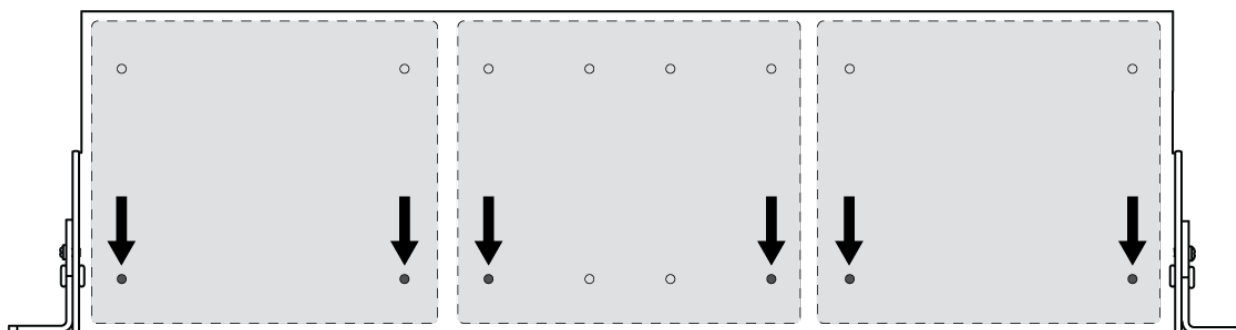
Single-unit Mounting Tray (included accessory): Supports a single device for mounting under a table

Securing the Devices

Use the included screws from the mounting hardware kit to secure the Audio Network Interfaces. Audio Network Interfaces can be mounted to face either direction. Insert the screws from the bottom in the appropriate holes, according to the following diagrams:



Align the holes as shown for securing a single device in the single-unit mounting tray



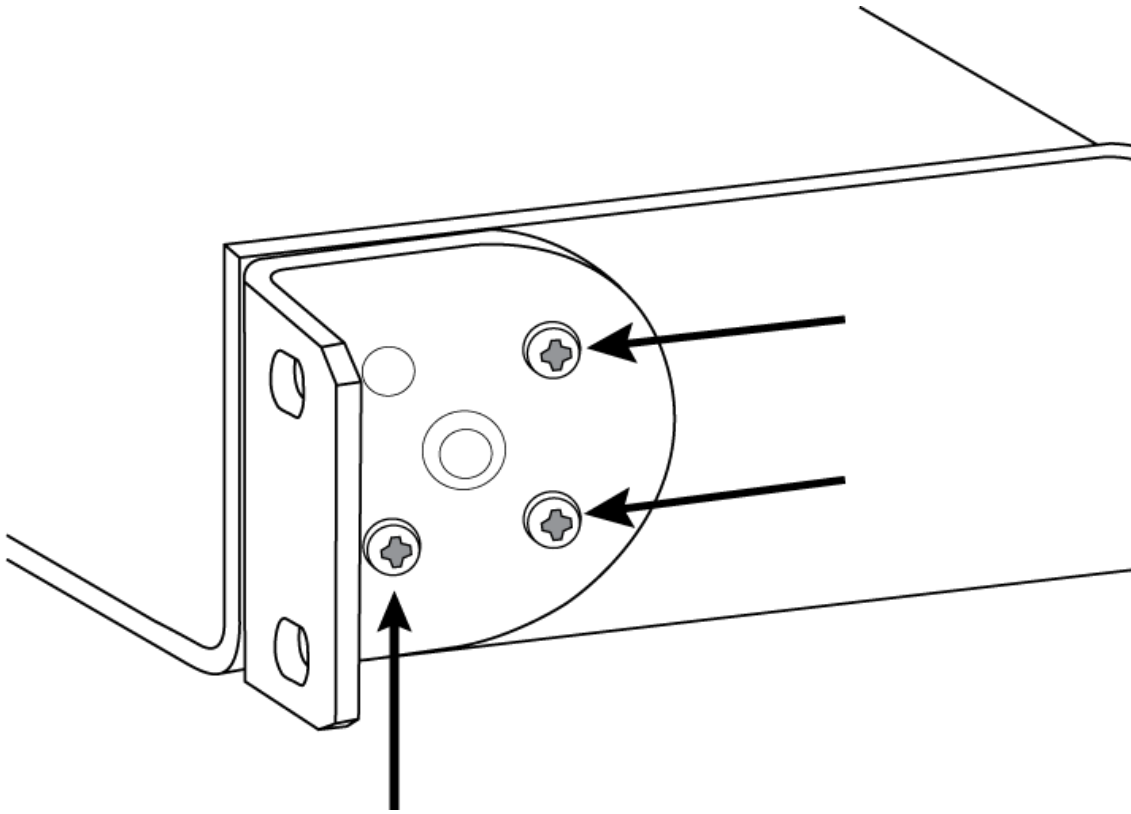
Align the holes as shown for securing up to 3 devices in the 19" rack tray.

Rack Ear Configuration

A combination of up to 3 Audio Network Interfaces can be mounted in a single 19-inch rack space. The adjustable rack ears support mounting in a standard equipment rack or underneath a table.

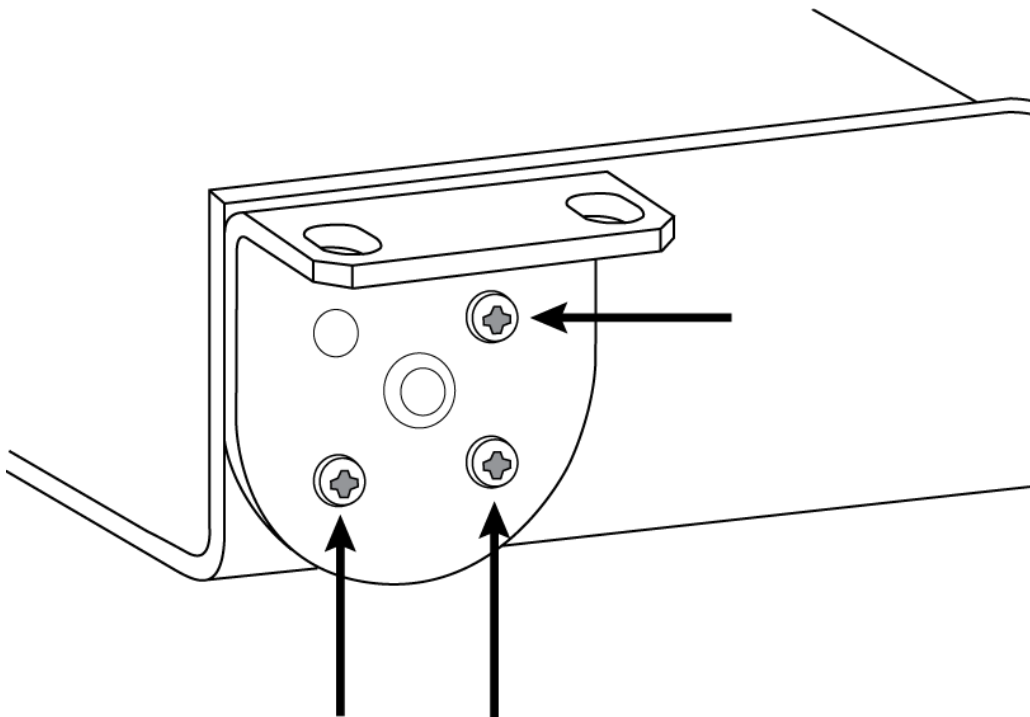
Standard 19" Rack Mount

1. Align the ears with the mounting holes pointed forward.
2. Install the 3 screws that hold the ear to the tray as shown.



Under-Table Mounting

1. Align the ears with the mounting holes pointed upward.
2. Install the 3 screws that hold the ear to the tray as shown.

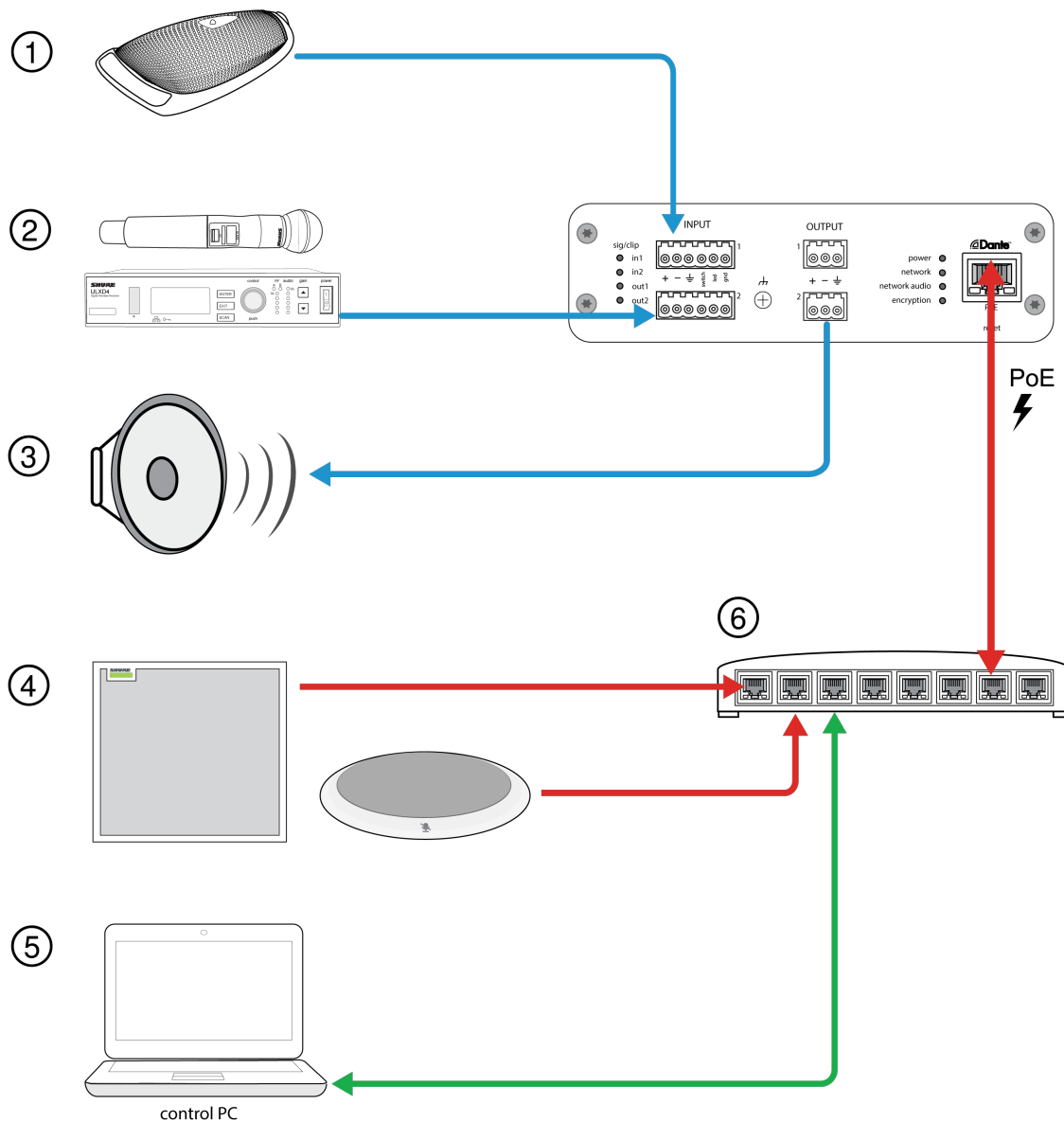


Installing Underneath a Table

1. Hold the tray in the desired location under a table.
2. Use a pencil to mark the location of the mounting holes on the table.
3. Drill 4 holes for the screws. The diameter of the holes in the tray are 7.1 mm.
4. Install the components into the tray.
5. Install with 4 screws to secure the tray underneath the table.

Signal Flow and Connections

Connections and Signal Flow



① Analog Input with Logic Connection (MX392)	In addition to running the audio signal, this boundary microphone features three additional wire leads for logic connections. This allows the switch on the microphone to send a logic mute signal to other equipment on the network, and to receive a logic LED control signal.
② Analog Input Sources	Analog sources, such as wireless microphones, connect to the analog line input
③ Analog Output Devices	Loudspeakers, amplifiers, or recording devices connect to the analog line output
④ Dante-enabled Equipment	Dante microphones, such as the Shure Microflex Advance ceiling and table arrays connect to the network switch and can be routed using Dante Controller software.
⑤ Control CPU	A computer connected to the network accesses the web application to control the channel levels and processing.
⑥ Network Switch	The network switch provides Power over Ethernet (PoE) to the ANI22, while also supporting all other Dante-enabled audio equipment.

Summing

The Audio Network Interface provides channel summing to combine input signals and send them over a single output channel. This makes it possible to send all channels to a device with a limited number of Dante receiver channels or analog inputs. The relative channel levels are not affected; the mix is summed in the device and sent over a single output channel.

Note: When summing is enabled, a limiter is activated to prevent signal overloading. The limiter does not affect the direct outputs, and will only affect the summed signal.

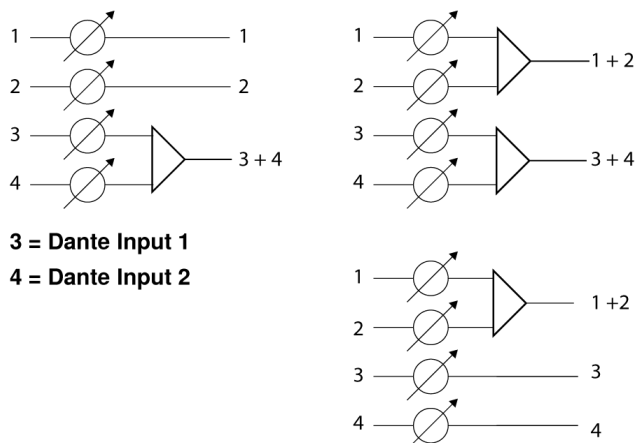
By default, the ANI22 treats signals this way:

- Analog input 1 → Dante output 1
- Analog input 2 → Dante output 2
- Dante input 1 → Analog output 1
- Dante input 2 → Analog output 2

To combine channels, select one of the summing options in Channels > Inputs.

Summing Option	Signal Destination
1 + 2	
Analog input 1 + analog input 2	Dante output 1
	Dante output 2
3 + 4	
Dante input 1 + Dante input 2	Analog output 1
	Analog output 2
1 + 2 / 3 + 4	
Analog input 1 + analog input 2	Dante output 1
	Dante output 2
Dante input 1 + Dante input 2	Analog output 1

Summing Option	Signal Destination
	Analog output 2



Encryption

Audio is encrypted with the Advanced Encryption Standard (AES-256), as specified by the US Government National Institute of Standards and Technology (NIST) publication FIPS-197. Shure devices that support encryption require a passphrase to make a connection. Encryption is not supported with third-party devices.

To activate encryption:

1. Open the Settings menu and select the General tab.
2. Select Enable Encryption.
3. Enter a passphrase. All devices must use the same passphrase to establish an encrypted connection.

Important: For encryption to work, all Shure devices on your network must use encryption.

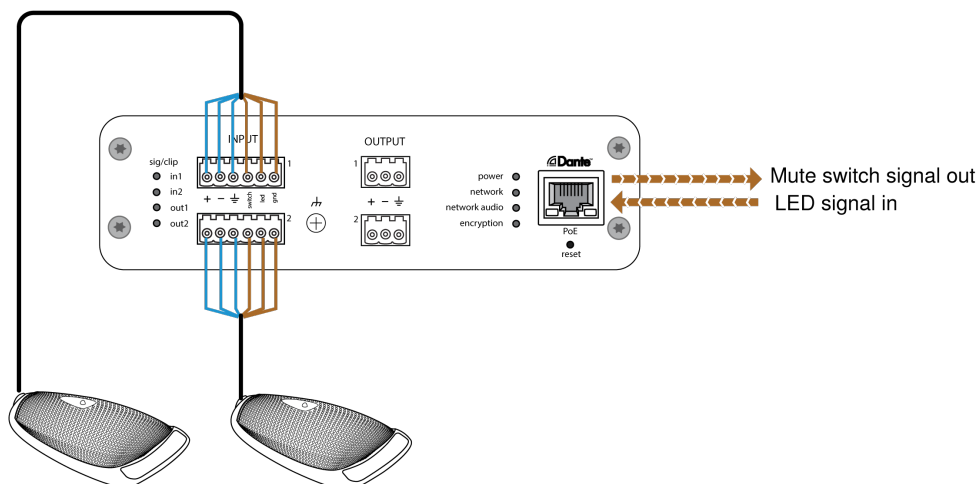


If you're using Shure Designer software to configure your system, please check the Designer help section for more about this topic.

Logic Applications

The block connector inputs feature three logic signal connections. Logic signals are converted into Ethernet command strings and sent and received by any device (such as an echo canceller or control system) that supports Ethernet command strings.

In this diagram, Shure MX392 Microflex[®] microphones are connected the audio network interface. The mute button on each microphone sends a logic signal (switch) to mute other audio equipment. The microphones receive logic signals (LED) so that the microphone LED behavior reflects the state of the entire audio system.



Device Identification

To identify the hardware by flashing the lights, select the Identify button in the device options section.

Audio Settings

Adjusting Input levels

Levels for analog and Dante channels are adjustable in the Input tab.

Dante Sources

- Check the source level before it reaches the Network Interface:**
 - Verify that the networked microphones or other Dante sources are operating at nominal output levels.
 - Levels for Microflex Advance™ microphones are adjustable through their web application.
- Adjust the digital gain in the Network Interface web application:**
 - Use the faders or manually enter a gain value.
 - The digital gain adjusts the level of the signal before it reaches the analog circuitry.
 - Set these levels as high as possible without reaching the peak level (0 dB) on the meter.

Analog Sources

Before you begin, verify that levels from the analog devices with adjustable output levels are operating at nominal levels. The analog gain adjusts the level of the audio signal before it is converted from analog to digital. It is adjustable in 3 dB increments, with up to 51 dB total gain.

- Match the analog gain setting to the incoming signal level:

Source Level	Gain Range
Line (+4 dBu)	0 to +9 dB

Source Level	Gain Range
Auxiliary (-10 dBV)	+9 to +21 dB
Microphone (varies)	+21 to +51 dB

- The meters should peak between -18 and -9 dB.

Note: Leaving some additional headroom is a recommended to prevent clipping if mobile devices will be plugged into particular channels.

Adjusting Output Levels

Dante Outputs

Output levels are controlled by the Digital Gain (dB) fader. Always adjust the input gain before the output gain. In most cases, setting the analog gain correctly results in an appropriate output level. Sources that have a quiet signal, such as a microphone with low sensitivity, may need some Digital Gain (dB) applied. If the output is clipping, use the Digital Gain (dB) fader to lower the signal.

Note: If summing is enabled on input channels, use the Digital Gain (dB) and Analog Gain (dB) controls in the Input section to adjust the mix.

Analog Outputs

Match the output level from the Network Interface to the input sensitivity on the analog device:

- Line level (0 dB)
- Aux level (-20 dB)
- Microphone level (-46 dB)

LED Signal and Clipping Indicators

Each analog output channel has a corresponding LED:

Green: Audio signal present

Red: Audio signal is clipping and should be attenuated.

Metering Options (Pre-gain and Post-gain)

Each Dante channel includes a meter to measure signal levels (dBFS), located in the web application under the input and output sections.

Pre-gain metering measures the signal level without digital gain applied. It does reflect analog gain adjustments on the two input channels. **Post-gain** metering measures the signal with both analog and digital gain applied.

To change the metering setting, open the Settings menu, select the General tab, and adjust the Metering setting.

Important: If the incoming signal is adjustable (wireless microphone systems, for example), make sure it is at the nominal level before adjusting the analog gain on the Audio Network Interface.

Parametric Equalizer

Maximize audio quality by adjusting the frequency response with the parametric equalizer.

Common equalizer applications:

- Improve speech intelligibility
- Reduce noise from HVAC systems or video projectors
- Reduce room irregularities
- Adjust frequency response for reinforcement systems



If you're using Shure Designer software to configure your system, please check the Designer help section for more about this topic.

Setting Filter Parameters

Adjust filter settings by manipulating the icons in the frequency response graph, or by entering numeric values. Disable a filter using the check-box next to the filter.

Filter Type

Only the first and last band have selectable filter types.

Parametric: Attenuates or boosts the signal within a customizable frequency range

Low Cut: Rolls off the audio signal below the selected frequency

Low Shelf: Attenuates or boosts the audio signal below the selected frequency

High Cut: Rolls off the audio signal above the selected frequency

High Shelf: Attenuates or boosts the audio signal above the selected frequency

Frequency

Select the center frequency of the filter to cut/boost

Gain

Adjusts the level for a specific filter (+/- 30 dB)

Q

Adjusts the range of frequencies affected by the filter. As this value increases, the bandwidth becomes thinner.

Width

Adjusts the range of frequencies affected by the filter. The value is represented in octaves.

Note: The Q and width parameters affect the equalization curve in the same way. The only difference is the way the values are represented.



Copy, Paste, Import, and Export Equalizer Channel Settings

These features make it simple to use effective equalizer settings from a previous installation, or simply accelerate configuration time.

Copy and Paste

Use to quickly apply the same PEQ setting across multiple channels.

1. Select the channel from the pull-down menu in the PEQ screen.
2. Select Copy.
3. In the pull-down menu, select the channel to apply the PEQ setting and select Paste.

Import and Export

Use to save and load PEQ settings from a file on a computer. This is useful for creating a library of reusable configuration files on computers used for system installation.

Export

Choose a channel to save the PEQ setting, and select Export to file.

Import

Choose a channel to load the PEQ setting, and select Import from file.

Equalizer Applications

Conferencing room acoustics vary based on room size, shape, and construction materials. Use the guidelines in following table.

EQ Application	Suggested Settings
Treble boost for improved speech intelligibility	Add a high-shelf filter to boost frequencies greater than 1 kHz by 3-6 dB.
HVAC noise reduction	Add a low cut filter to attenuate frequencies below 200 Hz
Reduce flutter echoes and sibilance	Identify the specific frequency range that "excites" the room: <ol style="list-style-type: none"> 1. Set a narrow Q value 2. Increase the gain to between +10 and +15 dB, and then experiment with frequencies between 1 kHz and 6 kHz to pinpoint the range of flutter echoes or sibilance 3. Reduce the gain at the identified frequency (start between -3 and -6 dB) to minimize the unwanted room sound
Reduce hollow, resonant room sound	Identify the specific frequency range that "excites" the room: <ol style="list-style-type: none"> 1. Set a narrow Q value. 2. Increase the gain to between +10 and +15 dB, and then experiment with frequencies between 300 Hz and 900 Hz to pinpoint the resonant frequency. 3. Reduce the gain at the identified frequency (start between -3 and -6 dB) to minimize the unwanted room sound.

Custom Presets

Use presets to quickly save and recall settings. Up to 10 presets can be stored on each device to match various seating arrangements. A preset saves all device settings except for the Device Name, IP Settings, and Passwords. Importing and exporting presets into new installations saves time and improves workflow. When a preset is selected, the name displays above the preset menu. If changes are made, an asterisk appears next to the name.

Note: Use the default settings preset to revert to the factory configuration (excludes Device Name, IP Settings, and Passwords).

Open the presets menu to reveal preset options:

save as preset:	Saves settings to the device
load preset:	Opens a configuration from the device
import from file:	Downloads a preset file from a computer onto the device. Files may be selected through the browser or dragged into the import window.
export to file:	Saves a preset file from the device onto a computer

Networking and Dante

Dante Transmit Flows

This device supports up to **two transmit flows** and **two receive flows**. A single flow consists of up to **four channels**, through either a unicast or multicast transmission.

- A **unicast flow** is a point-to-point connection between two devices, supporting up to four channels per flow.
- A **multicast flow** is a one-to-many transmission, which supports sending up to four channels to multiple receiving devices across the network.

Shure Device Applications

This device can connect with up to two Dante devices.

The Shure MXA310, ANI22, ANIUSB-MATRIX and ANI4IN support multicast transmission. This means that flows can transmit to multiple devices -- as many as the network can support. If using unicast flows, each of these devices can connect with up to two Dante receiver devices.

The Shure ANI4OUT connects with up to two Dante transmitter devices.

Pushing Device Names to the Dante Network

To send a device name to appear in Dante Controller, go to Settings>General and enter a Device Name. Select Push to Dante to send the name to appear on the network.

Note: names appear in Dante Controller with "-d" attached.

Compatibility with Dante Domain Manager

This device is compatible with Dante Domain Manager software (DDM). DDM is network management software with user authentication, role-based security, and auditing features for Dante networks and Dante-enabled products.

Considerations for Shure devices controlled by DDM:

- When you add Shure devices to a Dante domain, set the local controller access to Read Write. Otherwise, you won't be able to access to Dante settings, perform a factory reset, or update device firmware.
- If the device and DDM can't communicate over the network for any reason, you won't be able to control Dante settings, perform a factory reset, or update device firmware. When the connection is reestablished, the device follows the policy set for it in the Dante domain.
- If Dante device lock is on, DDM is offline, or the configuration of the device is set to Prevent, some device settings are disabled. These include: Dante encryption, MXW association, AD4 Dante browse and Dante cue, and SCM820 linking.

See [Dante Domain Manager's documentation](#) for more information.

QoS (Quality of Service) Settings

QoS settings assign priorities to specific data packets on the network, ensuring reliable audio delivery on larger networks with heavy traffic. This feature is available on most managed network switches. Although not required, assigning QoS settings is recommended.

Note: Coordinate changes with the network administrator to avoid disrupting service.

To assign QoS values, open the switch interface and use the following table to assign Dante-associated queue values.

- Assign the highest possible value (shown as 4 in this example) for time-critical PTP events
- Use descending priority values for each remaining packet.

Dante QoS Priority Values

Priority	Usage	DSCP Label	Hex	Decimal	Binary
High (4)	Time-critical PTP events	CS7	0x38	56	111000
Medium (3)	Audio, PTP	EF	0x2E	46	101110
Low (2)	(reserved)	CS1	0x08	8	001000
None (1)	Other traffic	BestEffort	0x00	0	000000

Note: Switch management may vary by manufacturer and switch type. Consult the manufacturer's product guide for specific configuration details.

For more information on Dante requirements and networking, visit www.audinate.com.

Networking Terminology

PTP (Precision Time Protocol): Used to synchronize clocks on the network

DSCP (Differentiated Services Code Point): Standardized identification method for data used in layer 3 QoS prioritization

IP Ports and Protocols

Shure Control

Port	TCP/UDP	Protocol	Description	Factory Default
21	tcp	FTP	Required for firmware updates (otherwise closed)	Closed
22	tcp	SSH	Secure Shell Interface	Closed
23	tcp	Telnet	Not supported	Closed
68	udp	DHCP	Dynamic Host Configuration Protocol	Open
80*	tcp	HTTP	Required to launch embedded web server	Open
443	tcp	HTTPS	Not supported	Closed
161	tcp	SNMP	Not supported	Closed
162	tcp	SNMP	Not supported	Closed
2202	tcp	ASCII	Required for 3rd party control strings	Open
5353	udp	mDNS [†]	Required for device discovery	Open
5568	udp	SDT [†]	Required for inter-device communication	Open
8023	tcp	Telnet	Debug console interface	Closed
8180	tcp	HTML	Required for web application	Open
8427	udp	Multicast SLP [†]	Required for inter-device communication	Open
64000	tcp	Telnet	Required for Shure firmware update	Open

Dante Audio & Controller

Port	TCP/UDP	Protocol	Description
162	udp	SNMP	Used by Dante
[319-320]*	udp	PTP [†]	Dante clocking
2203	udp	Custom	Required for packet bridge
4321, 14336-14600	udp	Dante	Dante audio
[4440, 4444, 4455]*	udp	Dante	Dante audio routing
5353	udp	mDNS [†]	Used by Dante
[8700-8706, 8800]*	udp	Dante	Dante Control and Monitoring
8751	udp	Dante	Dante Controller
16000-65536	udp	Dante	Used by Dante

*These ports must be open on the PC or control system to access the device through a firewall.

[†]These protocols require multicast. Ensure multicast has been correctly configured for your network.

Event Log

The event log provides a detailed account of activity from the moment the device is powered on. The log collects up to 1,000 activity entries and time-stamps them relative to the last power cycle. The entries are stored in the internal memory, and are not cleared when the device is power-cycled. The Export feature creates a CSV (comma separated values) document to save and sort the log data.

Refer to the log file for details when troubleshooting or consulting with Shure Systems Support.

To view the event log:

1. Open the Help menu
2. Select View Event Log

Severity Level

Information

An action or event has been successfully completed

Warning

An action cannot be complete, but overall functionality is stable

Error

A problem has occurred that could inhibit functionality.

Log Details

Description

Provides details on events and errors, including IP address and subnet mask.

Time Stamp

Power cycles:days:hours:minutes:seconds since most recent boot-up.

Event ID

Indicates event type for internal reference.

Tip: Use the filter to narrow down results. Select a category heading to sort the log.

Using a Third-Party Control System

This device receives logic commands over the network. Many parameters controlled through Designer can be controlled using a third-party control system, using the appropriate command string.

Common applications:

- Mute
- LED color and behavior
- Loading presets
- Adjusting levels

A complete list of command strings is available at:

pubs.shure.com/command-strings/ANI22.

Important Product Information

The equipment is intended to be used in professional audio applications.

Note: This device is not intended to be connected directly to a public internet network.

EMC conformance to Environment E2: Commercial and Light Industrial. Testing is based on the use of supplied and recommended cable types. The use of other than shielded (screened) cable types may degrade EMC performance.

Changes or modifications not expressly approved by Shure Incorporated could void your authority to operate this equipment.

Industry Canada ICES-003 Compliance Label: CAN ICES-3 (B)/NMB-3(B)

Please follow your regional recycling scheme for batteries, packaging, and electronic waste.

Information to the user

This device complies with part 15 of the FCC Rules. Operation is subject to the following two conditions:

1. This device may not cause harmful interference.
2. This device must accept any interference received, including interference that may cause undesired operation.

Note: This equipment has been tested and found to comply with the limits for a Class B digital device, pursuant to part 15 of the FCC Rules. These limits are designed to provide reasonable protection against harmful interference in a residential installation. This equipment generates uses and can radiate radio frequency energy and, if not installed and used in accordance with

the instructions, may cause harmful interference to radio communications. However, there is no guarantee that interference will not occur in a particular installation. If this equipment does cause harmful interference to radio or television reception, which can be determined by turning the equipment off and on, the user is encouraged to try to correct the interference by one or more of the following measures:

- Reorient or relocate the receiving antenna.
- Increase the separation between the equipment and the receiver.
- Connect the equipment to an outlet on a circuit different from that to which the receiver is connected.
- Consult the dealer or an experienced radio/TV technician for help.

Authorized under the verification provision of FCC Part 15B.

Certifications

The CE Declaration of Conformity can be obtained from: www.shure.com/europe/compliance

Authorized European representative:

Shure Europe GmbH

Headquarters Europe, Middle East & Africa

Department: EMEA Approval

Jakob-Dieffenbacher-Str. 12

75031 Eppingen, Germany

Phone: +49-7262-92 49 0

Fax: +49-7262-92 49 11 4

Email: info@shure.de

This product meets the Essential Requirements of all relevant European directives and is eligible for CE marking.

The CE Declaration of Conformity can be obtained from Shure Incorporated or any of its European representatives. For contact information please visit www.shure.com

Specifications

General

Analog Connections

Inputs	Active Balanced	ANI22-XLR	(2) XLR connector
		ANI22-BLOCK	(2) 6-pin block connector
Outputs	Impedance Balanced	ANI22-XLR	(2) XLR connector
		ANI22-BLOCK	(2) 3-pin block connector

Network Connections (Dante Digital Audio)

(1) RJ45

Channel Count: 2 Inputs, 2 Outputs

Polarity

Non-inverting, any input to any output

Power Requirements

Power over Ethernet (PoE), Class 0. (PoE Plus compatible).

Power Consumption

11W, maximum

Weight

672 g (1.5 lbs)

Dimensions

H x W x D

4 x 14 x 12.8 cm (1.6 x 5.5 x 5.0 in.)

control application

HTML5 Browser-based

Operating Temperature Range

-6.7°C (20°F) to 40°C (104°F)

Storage Temperature Range

-29°C (-20°F) to 74°C (165°F)

Thermal Power Dissipation

Maximum	12.1 W (41.3 BTU/hr)
typical	9.8 W (33.7 BTU/hr)

Audio

Frequency Response

±1 dB

20 to 20,000 Hz

Dante Digital Audio

Sampling Rate	48 kHz
Bit Depth	24

Latency

Does not include Dante latency	Analog to Dante	0.35 ms
	Dante to Analog	0.71 ms

analog gain range

Adjustable in 3 dB steps

51 dB

Dynamic Range (Analog-to-Dante)

20 Hz to 20 kHz, A-weighted, typical

113 dB

Equivalent Input Noise

20 Hz to 20 kHz, A-weighted, input terminated with 150Ω

Analog Gain Setting= +0 dB	-93 dBV
Analog Gain Setting= +27 dB	-119 dBV
Analog Gain Setting= +51 dB	-130 dBV

Total Harmonic Distortion

@ 1 kHz, 0 dBV Input, 0 dB analog gain

<0.05%

Common Mode Rejection Ratio

150Ω balanced source @ 1 kHz

>70 dB

Input Impedance

5 kΩ

Output Impedance

150 Ω

Input Clipping Level

Analog Gain Setting= +0 dB	+20 dBV
Analog Gain Setting= +27 dB	-7 dBV
Analog Gain Setting= +51 dB	-31 dBV

Analog Output Level

Selectable	Line	0 dB
	Aux	- 20 dB
	Mic	-46 dB

Built-in Digital Signal Processing

Per Channel	Equalizer (4-band Parametric, Dante Channels Only), Mute, Limiter, Gain (140 dB range)
System	Channel Summing

Networking

Cable Requirements

Cat 5e or higher (shielded cable recommended)

Accessories

Furnished Accessories

Hardware kit (XLR model)	90A29254
Hardware kit (block connector model)	90B33522
Mounting Bracket (1/3 rack unit)	53A27742

Optional Accessories and Replacement Parts

19" rack tray	CRT1
----------------------	------