

# EM 3732-II high transmission receiver

## FEATURES

- AES3 digital audio output with external word clock synchronization
- Switching bandwidth up to 184 MHz
- Integrated antenna splitter for daisy-chaining up to 8 devices
- Intuitive user interface with OLED display
- Network integration via Ethernet for WSM software on Macs and PCs

The EM 3731/3732-II is a true diversity receiver that is characterized by high transmission reliability, exceptional audio quality and simple operation. The frequencies are adjustable in 5 kHz steps. Special features include the DSP-based HiDyn plus expander and its transformer-balanced audio outputs. The EM 3732 COM-II is also equipped with a command audio output. The EM 3731/3732-II is available in L, N and P frequency range variants and as a twin receiver (EM 3732-II) or single receiver (EM 3731-II).



## ARCHITECT'S SPECIFICATIONS

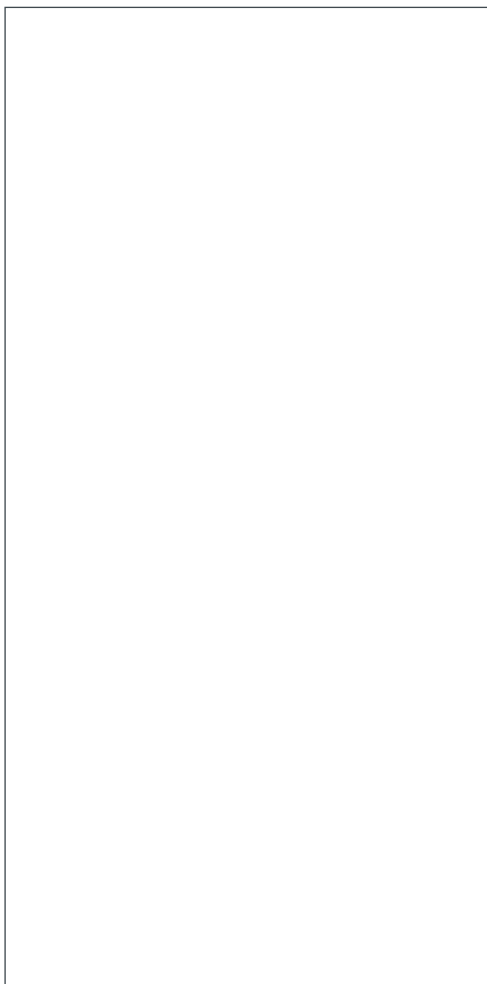
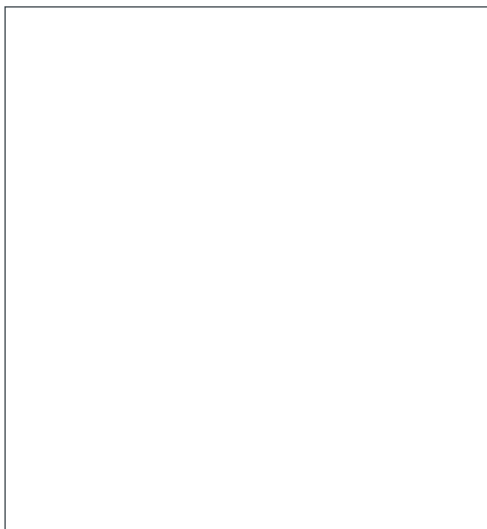
## TECHNICAL DATA

Receiver principle.....	True diversity
Frequency ranges .....	L: 470 – 638 MHz N: 614 – 798 MHz P: 776 – 960 MHz
Switching bandwidth.....	Up to 184 MHz
Receiving frequencies.....	6 frequency banks, each with up to 59 factory-preset channels, 1 frequency bank with up to 60 freely tunable channels (in 5 kHz steps)
Frequency stability.....	≤ ±2.5 ppm
Sensitivity .....	typ. 1.5 µV for 52 dBA rms S/N (with HDP, peak deviation) 15 µV for 115 dBA rms S/N
Adjacent channel rejection/spacing typ.....	75 dB/±400 kHz 80 dB/±800 kHz
Intermodulation attenuation .....	≥ 80 dB
Blocking .....	≥ 80 dB
Squelch .....	13 steps (0 ... 30 µV)
Antenna inputs .....	2 BNC sockets (50 V)
Daisy chain outputs .....	2 BNC sockets (50 V)
Gain .....	0.5 dB ±0.5 dB (ref. to antenna inputs)
Compander.....	Sennheiser HiDyn plus™
Frequenze response .....	40 ... 20,000 Hz
Nominal/peak deviation .....	±40 kHz / ±56 kHz
Signal-to-noise ratio .....	≥ 118 dB(A) (1 mV, peak deviation)
THD .....	≤ 0.3% (at nominal deviation, 1 kHz)
Latency .....	≤ 1.9 ms

Continued on page 2

# EM 3732-II

## high transmission receiver



AF output voltage.....	+18 dBu to –10 dBu, adjustable in (at peak deviation, 1 kHz AF) .....	1 dB steps (transformer-balanced)
AF output sockets.....	1 XLR-3 socket per receiver, 2 per EM 3732-II COM receiver	
Headphone output .....	2 x 100 mW at 32 V, internal resistance 10 V, short-circuit-proof	
<b>OVERALL DEVICE</b>		
Power supply .....	100 – 240 V AC, 50 / 60 Hz	
Current consumption .....	Max. 0.4 A	
Power consumption .....	On: max. 20 W (50 VA)	
	Device off, booster supply voltage on:	max. 9.5 W
	Device and booster supply voltage off:	max. 4 W
IEC mains connector .....	3-pin; protection class I, as per IEC/EN 60320-1	
Booster voltage.....	12 V DC, 2 x max. 200 mA, short- circuit-proof, can be switched off	
Ethernet.....	IEEE 802.3-2002, shielded RJ45 connector with optional additional latch	
Digital output .....	AES3-2003, XLR-3, 44.1, 48, 88.2 or 96 kHz SR, 24 bit, externally synchronizable	
Continued on page 3		

# EM 3732-II

high transmission receiver



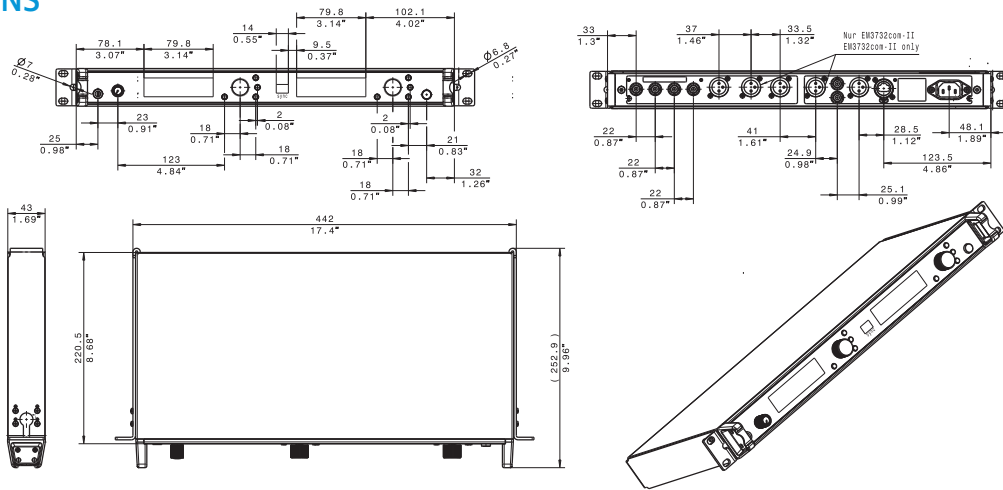
Word clock connection.....	2 BNC sockets (75 V), daisy chain output
Accepted sampling rates.....	44.1, 48, 88.2 or 96 kHz
Word clock input impedance .....	75 V, transformer-balanced, AC-coupled
Input voltage range .....	200 mV ... 5 Vpp
Max. input voltage .....	15 V (DC + AC)
Word clock output impedance .....	75 V, transformer-balanced, AC-coupled
Output voltage.....	2.5 V ± 250 mV at 75 V source impedance
Dimensions .....	Approx. 436 x 215 x 44 mm (excl. rack mount ears)
Weight .....	Approx. 3,600 g (excl. rack mount ears) Approx. 4,080 g (incl. rack mount ears)

#### OPERATING CONDITIONS

Ambient temperature.....	-10 °C to +55 °C
Relative humidity .....	Max. 85% at 40°C (non-condensing)
Drip and splash water protection: The product may not be exposed to drip and splash water (IP 20)	

# EM 3732-II high transmission receiver

## DIMENSIONS



## FREQUENCY RESPONSE

### PRODUCT VARIANTS

EM 3731-II L, 470 - 638 MHz	Cat.No. 504073
EM 3731-II N, 614 - 798 MHz	Cat.No. 504074
EM 3731-II P, 776 - 960 MHz	Cat.No. 504075
EM 3732-II L, 470 - 638 MHz	Cat.No. 504076
EM 3732-II N, 614 - 798 MHz	Cat.No. 504077
EM 3732-II P, 776 - 960 MHz	Cat.No. 504078
EM 3732 COM-II L, 470 - 638 MHz	Cat.No. 504079
EM 3732 COM-II N, 614 - 798 MHz	Cat.No. 504080
EM 3732 COM-II P, 776 - 960 MHz	Cat.No. 504081

### RECOMMENDED ACCESSORIES

AAB 3700, broadband antenna booster	Cat.No. 502196
AD 3700, directional antenna	Cat.No. 502197
A 3700, omni-directional antenna	Cat.No. 502195
GZL AES 10, AES3 cable	Cat.No. 502432

Sennheiser electronic GmbH & Co. KG  
 Am Labor 1, 30900 Wedemark, Germany  
[www.sennheiser.com](http://www.sennheiser.com)