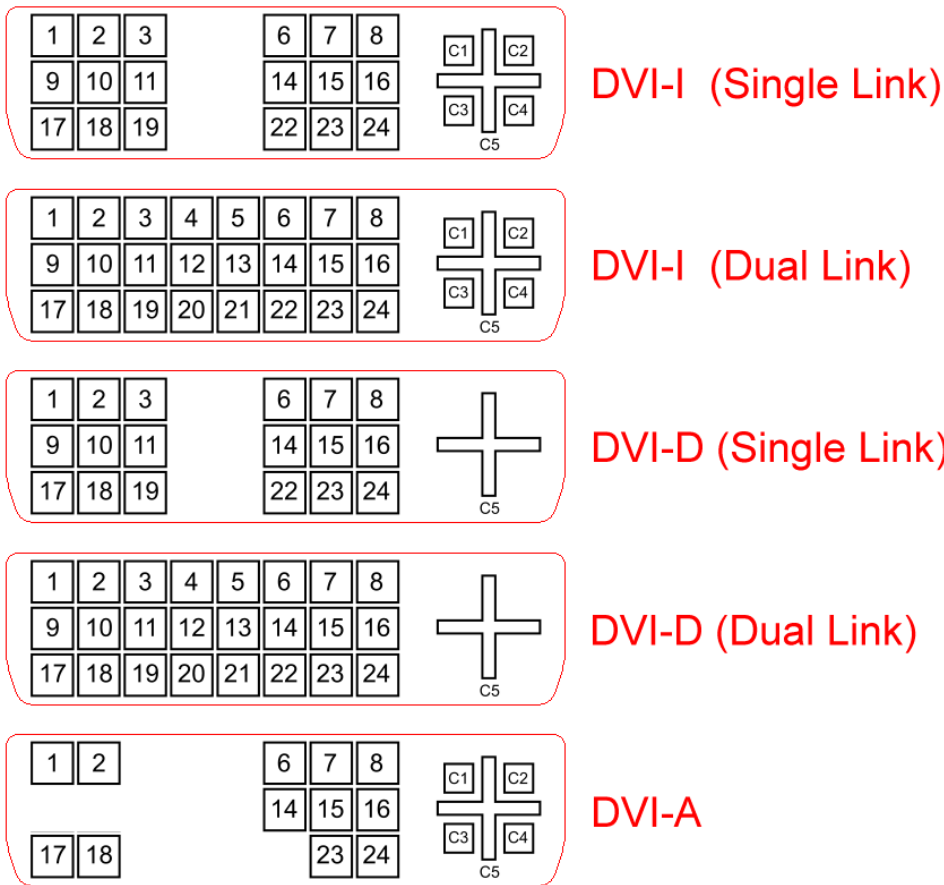


DVI Connector Information



DVI sockets viewed from the front

1	TMDS data 2-	Digital red- (link 1)	16	Hot plug detect	
2	TMDS data 2+	Digital red+ (link 1)	17	TMDS data 0-	Digital blue- (link 1) & digital sync
3	TMDS data 2/4 shield		18	TMDS data 0+	Digital blue+ (link 1) & digital sync
4	TMDS data 4-	Digital green- (link 2)	19	TMDS data 0/5 shield	
5	TMDS data 4+	Digital green+ (link 2)	20	TMDS data 5-	Digital red- (link 2)
6	DDC clock		21	TMDS data 5+	Digital red+ (link 2)
7	DDC data		22	TMDS clock shield	
8	Analogue vertical sync		23	TMDS clock+	Digital clock+ (links 1 & 2)
9	TMDS data 1-	Digital green- (link 1)	24	TMDS clock-	Digital clock- (links 1 & 2)
10	TMDS data 1+	Digital green+ (link 1)	25	Analogue red	
11	TMDS data 1/3 shield		26	Analogue green	
12	TMDS data 3-	Digital blue- (link 2)	27	Analogue blue	
13	TMDS data 3+	Digital blue+ (link 2)	28	Analogue horizontal sync	
14	+5 V	Standby power for monitor	29	Analogue ground	Return for R, G, B signals
15	Ground	Return pin 14 & analogue sync			

VIDEO SIGNAL

Single Link: 1920 × 1200 (WUXGA) @ 60 Hz
 Dual Link: 2560 × 1600 (WQXGA) @ 60 Hz
 Analogue: 1920 × 1200 (WUXGA) @ 60 Hz

DATA RATE

Single link 3.96 Gbit/s
 Dual link 7.92 Gbit/s