

# Cyclone

## User Guide



Trusted by  
Professionals

# Overview

Introducing the all-new Cyclone product range, featuring next-generation wind and handling isolation for discerning audio professionals. Cyclone is the premium microphone windshield system with ground-breaking advancements for all-round performance excellence.

This User Guide provides useful information about the Cyclone and how to use it. There are 3 sizes of Cyclone currently available: Cyclone Large; Cyclone Medium and Cyclone Small. For the Cyclone Small, there are 3 model variants, however the only difference between these 3 is the type of microphone connector that it comes fitted with, that is: XLR; LEMO or MZL connector.

Most of the information in this User Guide applies to all 3 Cyclone sizes and to all model variants. Where the information is specific to only one size or model, this will be indicated as such. Where images or diagrams of the Cyclone Small are shown herein, they are of the XLR model variant.

Cyclone Basket and Suspension	2
Removing Windshield from Suspension	3
Fitting the microphone	4
Fitting windshield to suspension	5
Removing & refitting the C-Arm	6
Changing Lyres	7
Cyclone Small: Offset Link and boom adaptor assembly	8
Attaching the Offset Link Bracket	9
Removing the Offset Link Bracket	10
Reattaching the boom adaptor	11

# Cyclone Basket and Suspension

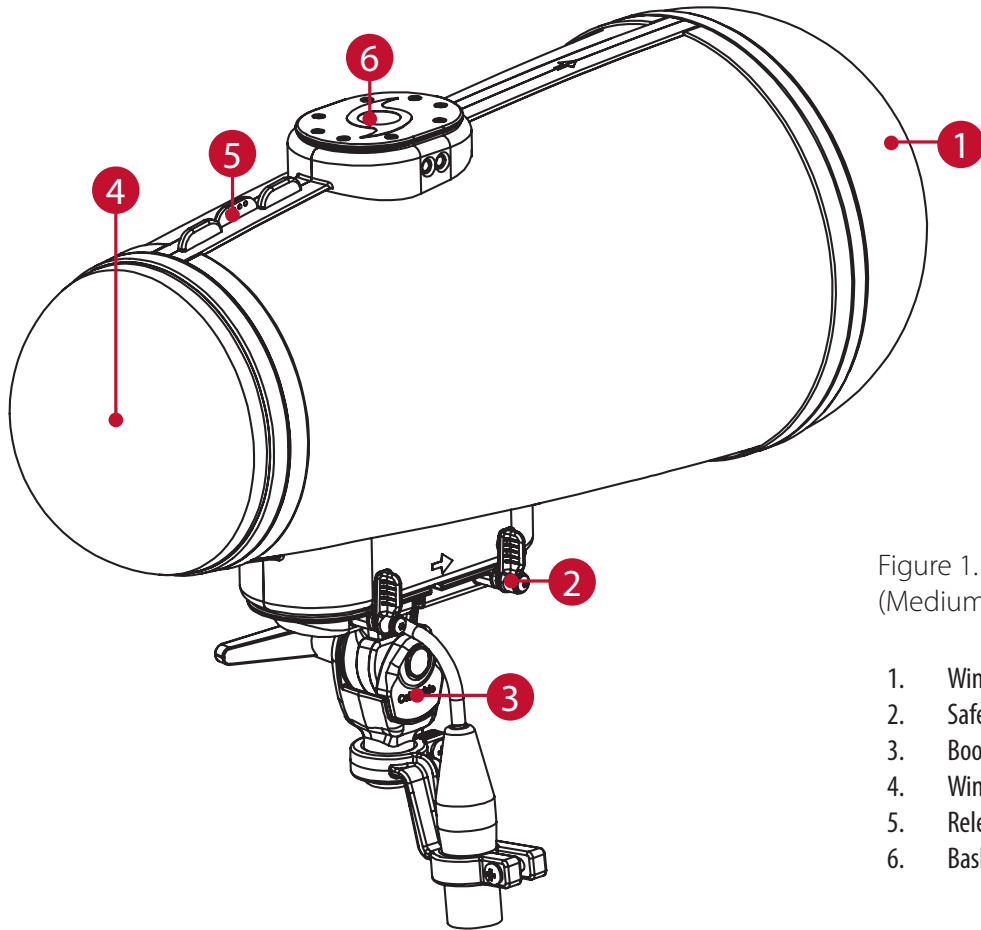


Figure 1. Cyclone Basket (Medium model shown)

1. Windshield, Right
2. Safety Catches
3. Boom Adaptor
4. Windshield, Left
5. Release Tabs
6. Basket Suspension (upper)

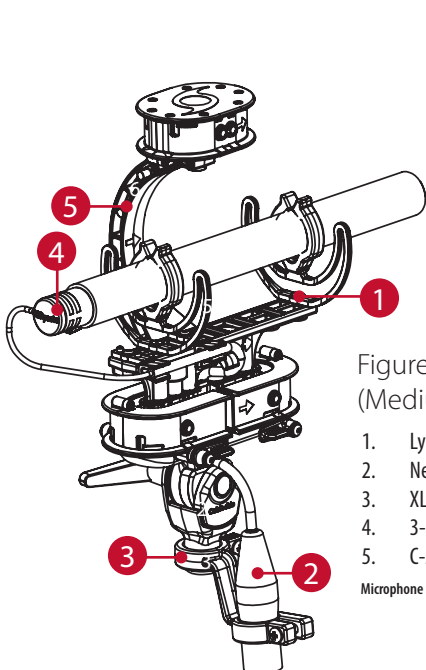


Figure 2. Cyclone Suspension (Medium model shown)

1. Lyre
2. Neutrik XLR 3-Pin Male
3. XLR Holder
4. 3-Pin female XLR
5. C-Arm

Microphone not included

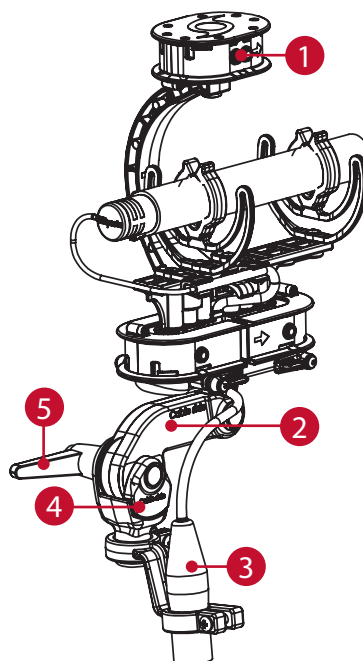


Figure 3. Cyclone Small Suspension\*

1. Basket Suspension (upper)
2. Offset Link Bracket
3. Neutrik XLR 3-Pin Male
4. Boom Adaptor
5. Locking Lever

Microphone not included

\*Shown with Offset Link Bracket fitted



# Removing windshield from suspension

The Cyclone is supplied fully assembled. The two windshield sections which make up the basket are held together on the suspension assembly using magnets, and are further secured with four safety catches.



**1.** Undo safety catches on both sides of the windshield (four in total).

**2.** Whilst holding the windshield, use the release tabs to separate the two sections of the windshield system.



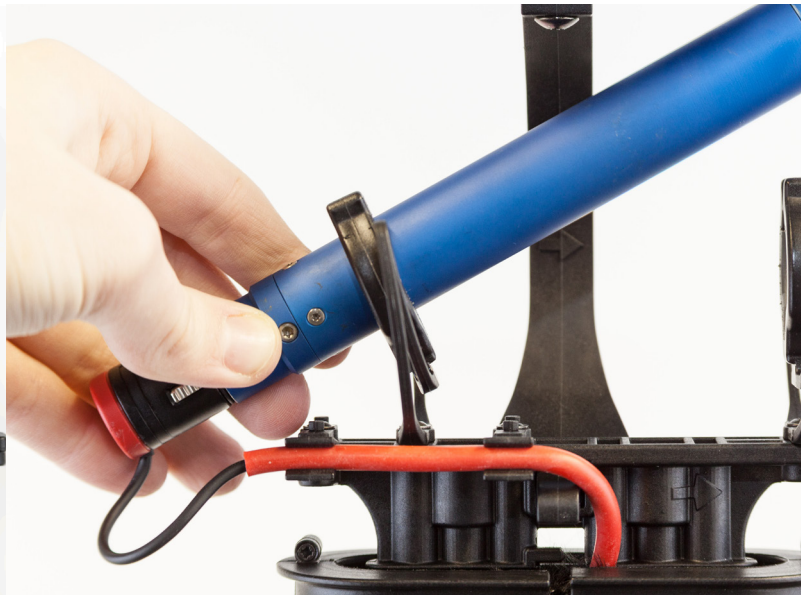
**3.** Pull right side of the windshield away to release it from lower & upper suspension.

**4.** Pull left side of the windshield away to release it from lower & upper suspension.

# Fitting the microphone



**1.** Fit the microphone connector to the microphone (Short XLR connector shown).



**2.** Insert the microphone into the two Lyres® on the suspension. Depending on the microphone width, it may be easier to prise apart the Lyres with your fingers.

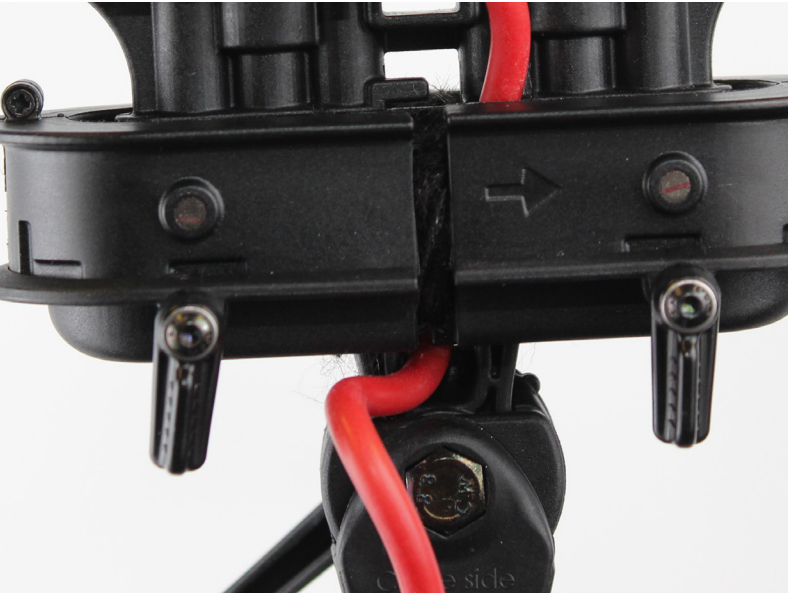


**3.** The Lyres should be positioned to provide as even support to the microphone as possible. The Lyres can be moved into pre-set positions along the microphone suspension. You can find more information about moving the Lyres in the section 'Changing Lyres'.

**4.** Always allow a loop of cable (no tension).



# Fitting windshield to suspension



**1.** Ensure all the safety catches are open (pointing downwards) on both sides.



**2.** Fit left side of the windshield to upper & lower suspension. The magnets in the suspension & basket will ensure that they 'click' together.



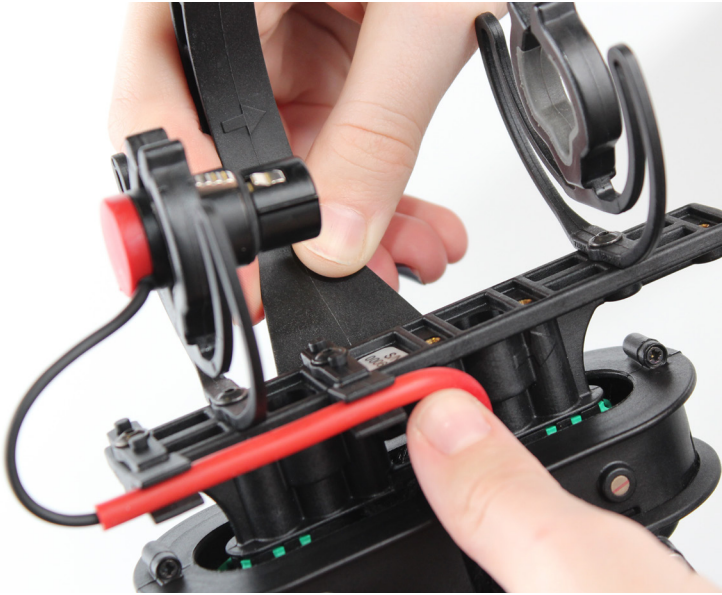
**3.** Fit right side of the windshield to upper & lower suspension. The magnets in the suspension & basket will ensure that they 'click' together.



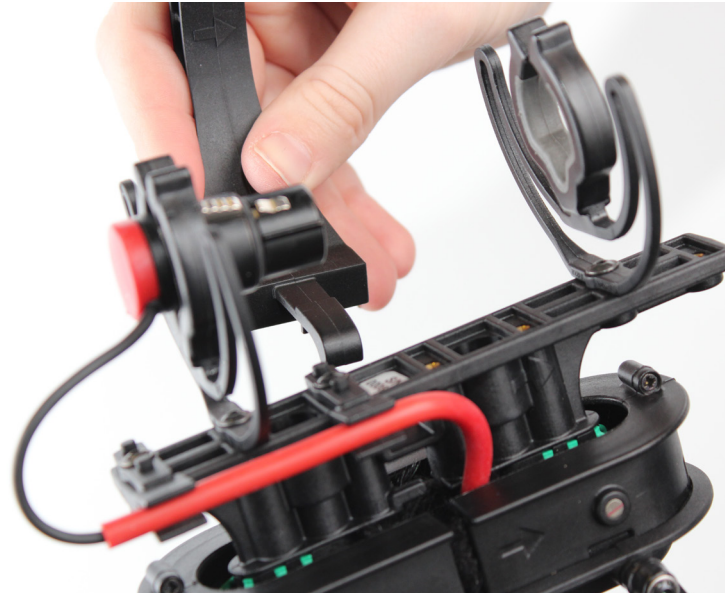
**4.** Lock the windshield to the suspension by closing all four safety catches (pointing upwards).

# Removing & refitting C-Arm

The C-Arm provides the upper suspension for the windshield. If you want to use the Cyclone without the windshield fitted (e.g. indoor use) you can remove the C-Arm completely to save weight and reduce overall size.



**1.** Whilst holding the C-Arm in one hand, use your other thumb to simultaneously press down & push the release tab and the C-Arm will pull out.



**2.** This can be a little stiff, so a little wiggle may be needed to release the C-Arm away from the suspension.



**3.** To refit the C-Arm simply reverse the process above. Make sure to fully push 'home' the C-Arm to ensure that it is secure.

If the suspension is needed in a restricted space, like a ceiling shot, the suspension can be used without the C-Arm.



# Changing Lyres



The Cyclone features Rycote patented Lyres®, which are extremely robust, and virtually unbreakable, as they do not use elastic or rubber components which are prone to wear and tear.

The Lyres have a soft-grip internal surface on the mic clip, helping to prevent the mic twisting or slipping, and stopping the clip scratching the surface of powder-coated microphones. The Lyres are available in different hardnesses, with softer, more compliant versions for light, short microphones and stiffer hardness Lyres for longer or heavier microphones.

The Cyclone Lyres can be moved or replaced using the supplied hex-key.

Cyclone Large and Cyclone Medium are pre-fitted with a pair of Universal Lyres of 72 Shore hardness. An additional pair of softer Lyres (62 Shore rating), for lighter microphones are also included, which you can fit instead of the pre-fitted ones, should you wish.

Cyclone Small models are pre-fitted with a pair of Universal Lyres of 62 Shore hardness. No spare/additional Lyres are provided with the Cyclone Small models.



Lyre – 62 Shore



Lyre – 72 Shore

The lower the number, the softer the Shore hardness. So '62 Shore' is softer than '72 Shore'. The different Lyres can be identified as follows:

**62 shore - Black rigid part & Black Soft-grip**

**72 shore - Black rigid part & Grey Soft-grip**



# Cyclone Small Offset Link & boom adaptor assembly

Cyclone Small delivers outstanding performance for small diaphragm condenser and short shotgun microphones alike. An Offset Link Bracket is included, to provide mic axis articulation if required for ideal microphone placement.



1. Back Offset Link Plate
2. Front (Cable Side) Offset Link Plate
3. Offset Link Bracket
4. Lever Ratchet
5. Boom Adaptor
6. Rubber Washer
7. Boom Adaptor Plate & Bolt
8. XLR Holder

# Attaching the Offset Link Bracket

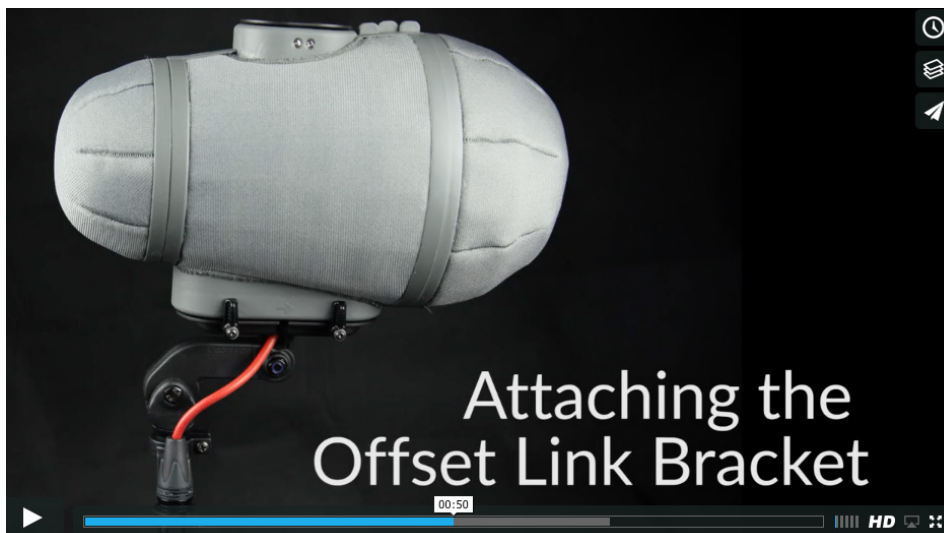
An Offset Link Bracket is included (but not fitted) with the Cyclone Small, to provide mic axis articulation if required for ideal microphone placement. The following video shows you how to attach it:



**Step 1:**

**0:23 - Removing the boom adaptor**

<https://vimeo.com/188993685/1489040040#t=23s>



**Step 2:**

**0:50 - Attaching the Offset Link Bracket**

<https://vimeo.com/188993685/1489040040#t=50s>

# Removing the Offset Link Bracket

Once fitted the removal of the Offset Link Bracket is the reverse of the process shown in the video. The following instructions show you how to remove the Offset Link Bracket and reattach the boom adaptor.



**1.** Loosen screw on the XLR holder, using a Phillips head screwdriver. Lift out & release XLR connector.

**2.** Rotate lever ratchet anti-clockwise and remove.

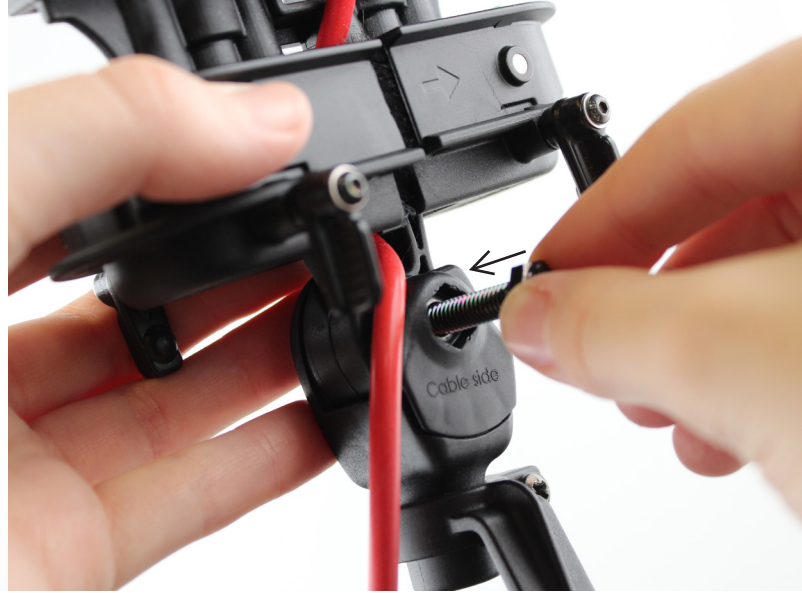


**3.** Push threaded end of bolt back through the boom connector and remove bolt **A** completely. Slide boom connector to remove it from the Offset Link Bracket.

**4.** Using a 10mm spanner, undo & remove bolt **B** holding the Offset to the suspension. Then prise apart the two halves of the Offset along its length; this may be stiff so use a small flat-head screwdriver (as shown).



# Reattaching the boom adaptor



**1.** Firstly connect the Offset Link plates to either side of the suspension, ensuring that the smaller cut-off plate\* is on the cable side (\* see Part #2 in 'Offset Link & boom adaptor assembly' section above).

**2.** Slide the boom adaptor over the Offset Link plates, making sure the 'cable side' of the adaptor is on the cable side of the suspension (as shown). Insert bolt **A** back through boom adaptor.



**3.** Reattach the lever ratchet by winding on to bolt in clockwise direction.

**4.** Re-insert XLR connector into XLR holder, as shown. Re-tighten screw **C** to secure.



Trusted by  
Professionals



[www.rycote.com](http://www.rycote.com)

11/2016

## Rycote Microphone Windshields Ltd

Libby's Drive, Slad Road, Stroud, Gloucestershire, GL5 1RN, UK  
Email: [tech\\_support@rycote.com](mailto:tech_support@rycote.com) · Tel: +44 (0) 1453 759338

FOR MORE INFO  
FOLLOW US ON:

