

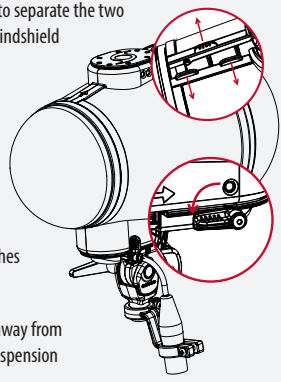
**1 Download Instructions**



More information and full instructions can be downloaded here  
<https://rycote.zendesk.com/hc/en-us/articles/207948165-Cyclone-User-Guide>

**2 Removing windshield from the suspension**

2 Use release tabs to separate the two sections of the windshield



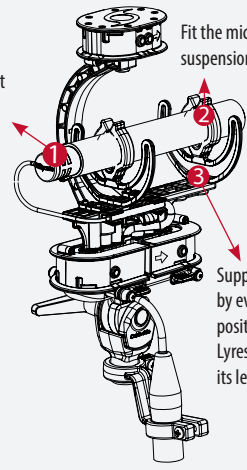
1 Undo safety catches on both sides

3 Pull windshield away from lower & upper suspension

**3 Fitting microphone**

Fit the mic into the suspension

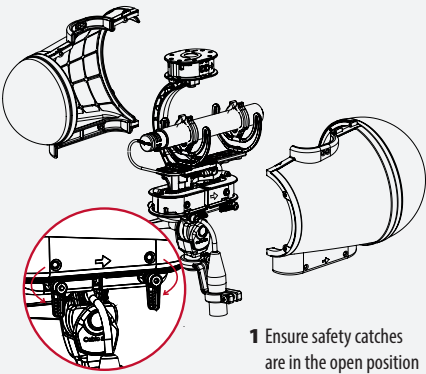
Fit the input connector to the mic (XLR model shown)



Support the mic by evenly positioning the Lyres along its length

The Lyres can be moved or replaced using the hex key supplied.

**4 Fitting windshield to suspension**

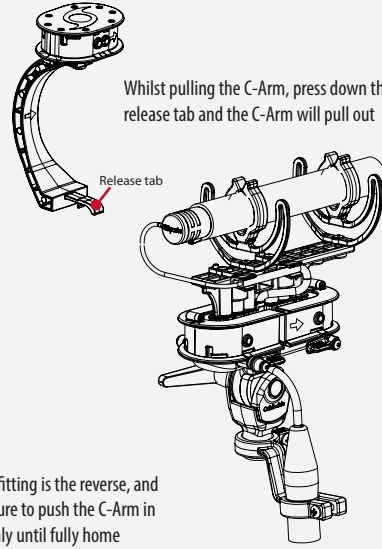


1 Ensure safety catches are in the open position on both sides

2 Fit both sides of the windshield to the upper & lower basket suspension pods

3 Rotate the four safety catches into closed position

**5 Removing and refitting the C-Arm**



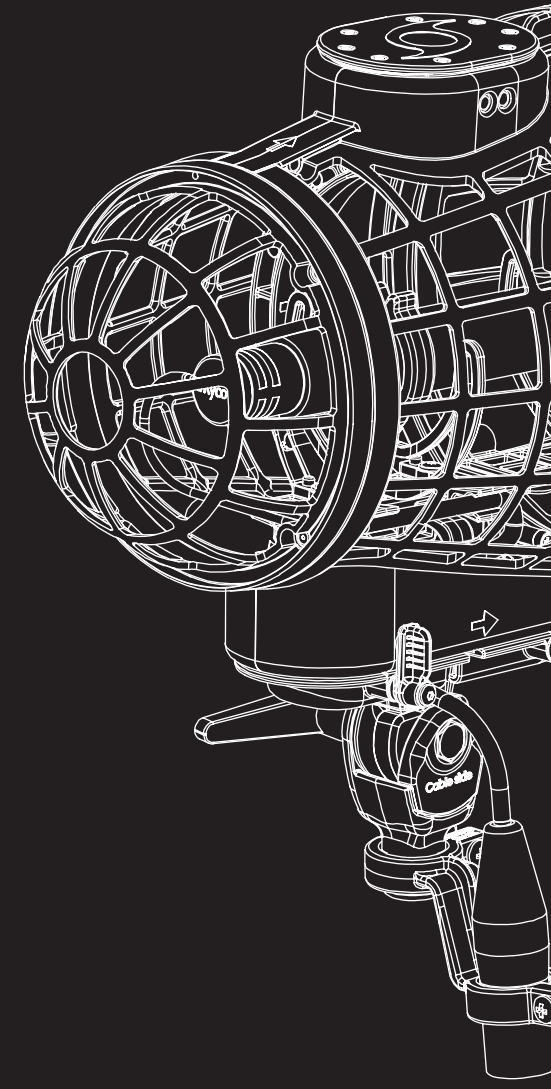
Whilst pulling the C-Arm, press down the release tab and the C-Arm will pull out

Re-fitting is the reverse, and ensure to push the C-Arm in firmly until fully home

If the suspension is needed in a restricted space, like a ceiling shot, the suspension can be used without the C-Arm fitted.

# Cyclone

Advanced Windshield System



# Quick Start Guide

## Cyclone Small

Thank you for choosing the Cyclone Windshield! The following Quick Start Guide provides you with the basics to get you started.

Full details about this product are available on our website, where you can also download more detailed instructions.

### Overview

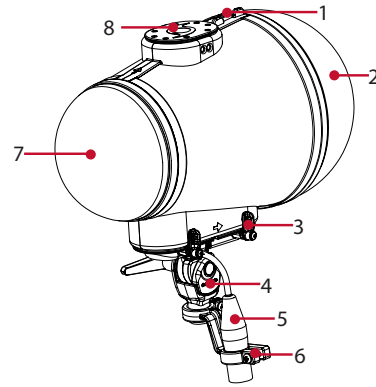
Quick. Clear. Consistent.

The Cyclone Small premium microphone windshield system delivers outstanding performance for small diaphragm condenser and short shotgun microphones alike.

### Key Features

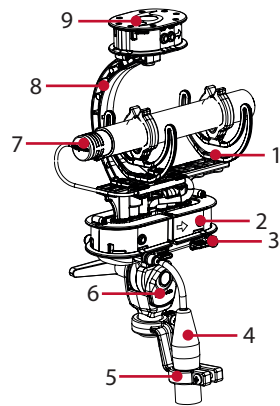
- Superb acoustic transparency - the open shell structure with no parallel surfaces greatly reduces room-tone effects & provides a clean frequency response;
- Massive wind noise reduction - asymmetric basket covered with 3D-TEX® material provides enormous benefits in terms of surface turbulence & acoustic impedance. An optional Cyclone Windjammer can be used for the most extreme weather conditions;
- Advanced shock isolation - with industry-leading Rycote Lyre® microphone suspension and exclusive Floating Basket Suspension (Pat. Pending) with built-in Lyre technology, for additional vibration isolation between basket and pole;
- Quick & Easy - unique Z-Locking System with magnetic locking for instant windshield removal/attachment;
- Lightweight, durable construction & materials - to withstand extreme field use;
- An Offset Link bracket is included, to provide mic axis articulation, if required for ideal microphone placement.

### Basket View



1. Release Tabs
2. Windshield, Right
3. Safety Catch
4. Boom Adaptor
5. Neutrik XLR 3-Pin male
6. XLR Holder
7. Windshield, Left
8. Basket Suspension (upper)

### Suspension View - XLR model



1. Lyre
2. Basket Suspension (lower)
3. Safety Catch
4. Neutrik XLR 3-Pin male
5. XLR Holder
6. Boom Adaptor
7. Rycote Short XLR
8. C-Arm
9. Basket Suspension (upper)

### Specifications

The Cyclone Small is available in three different model variants: XLR; LEMO and MZL.

#### Cyclone Windshield Kit, Small (XLR)

089103

Mic Lengths:	75 mm - 160 mm
Mic Diameters:	19 mm – 25 mm
Max. Weight of Mic:	110 grams
Mic Connector:	XLR 3-pin Female
Output Connector:	XLR 3-pin Male

Overall Length:	297 mm (11.7 inch)
Body Length:	142 mm (5.6 inch)
Max. Diameter:	157 mm (6.2 inch)
Height:	220 mm (8.7 inch)
Weight:	564 g (19.9 oz)

#### Compatibility

DPA	4017C, 4018C
Neumann	KM100 Series
Schoeps	CMC Series
Sennheiser	MKH 8040*, MKH 8050* MKH 50

#### Cyclone Windshield Kit, Small (LEMO)

089104

The details for this LEMO version of the Cyclone Small are as-per the XLR version noted above (albeit with a marginal weight saving, based on the use of the LEMO connector). This version of the Cyclone Small comes fitted with a LEMO microphone connector, for use with the Schoeps CCM series of microphones.

#### Compatibility

Schoeps	CCM Series
---------	------------

#### Cyclone Windshield Kit, Small (MZL)

089105

The details for this MZL version of the Cyclone Small are as-per the XLR version noted above. This version of the Small Cyclone comes fitted with an MZL microphone connector.

#### Compatibility

Sennheiser	MKH 8060*
------------	-----------

All weights & dimensions are approximate

### What's in the box?

- Cyclone Windshield System
- Cyclone Cable (fitted)
- Offset Link bracket
- Hex key driver, for adjustment of Lyres
- Quick Start Guide
- Rycote Sticker

### Optional Accessories

- Cyclone Windjammer, Small (029103)
- Extension handle (037301)
- Cyclone w/TacIT cable, XLR-3f (017034)

### Fitting the Offset Link

Should you wish to use the optional Offset Link bracket supplied, fitting instructions are provided in the Cyclone User Guide which you can access on our website at <https://rycote.zendesk.com/hc/en-us/articles/207948165-Cyclone-User-Guide> or scan the QR code overleaf.

(\* Our recommendation for the Sennheiser MKH8040/8050 is the Cyclone Small (XLR) model, based on the use of the Sennheiser MZX (XLR module) with these microphones. If you wish to use either of these mics without the MZX module attached, you can do so using the Cyclone Small (MZL).

 Rycote® | On Location



Our customers are involved with some amazing projects and use Rycote products out in the field every day.

To read more  
[rycote.com/on-location](https://rycote.com/on-location)