

# Blimp

Suspension Windshield System

**AUSTRALIA**  
107 Carnarvon st, Silverwater NSW 2128 Australia  
Ph: +61 2 9648 5855 Fx: +61 2 9648 2455

**USA**  
PO Box 91028, Long Beach CA 90809-1028  
Ph: +1 562 364 7400 Fax: +1 888 412 4664



## Specifications

Weight	550gm
Dimensions	124mmD x 285mmH x 482mmL
Dimensions without handle	124mmD x 160mmH x 482mmL
Internal Lyre Spacing	120mm
Shipping Weight	1.31kgs
Shipping Dimensions	230mmD x 165mmH x 490mmL

## Features

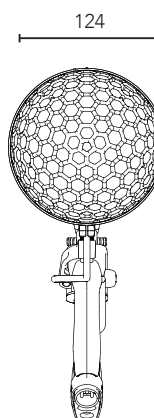
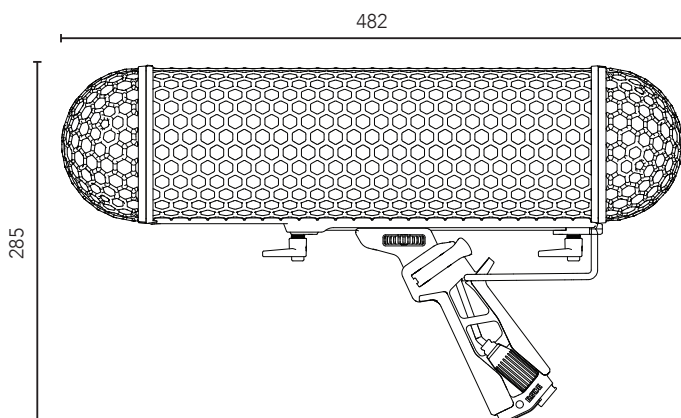
- Greatly reduces handling and wind noise
- Accommodates most shotgun microphones 325mm in length and 19-22mm diameter.
- Rycote Lyre suspension system onboard with internal spacing guide.
- Lightweight skeleton handle with 3/8" thread mount.
- Mogami cable with Neutrik and Switchcraft XLR connectors.
- Dead Wombat windshield included.

## Incl. Accessories

- Dead Wombat windshield
- Dead Wombat Comb
- Hex Key Screwdriver

## Compatible Microphones

- NTG1
- NTG2
- NTG3



**RØDE**  
MICROPHONES