

REAN RTxMP Male panel



43-5075 REAN RT3MP Male panel

43-5076 REAN RT4MP Male panel

43-5077 REAN RT5MP Male panel

43-5085 REAN RT3MP-D Male panel (pack of 100, disassembled)

43-5086 REAN RT4MP-D Male panel (pack of 100, disassembled)

TINY xlr male chassis connector, nickel housing, gold plated contacts

- Front and rear mountable design
- Shielded system – high noise immunity and EMI protection
- Watertight chassis connector, even in unmated condition

Technical Information

Electrical

Contact resistance	< 5 m Ω (inner)
Dielectric strength	> 0.5 kVdc
Insulation resistance	> 1 G Ω
Rated current per contact	< 5 A

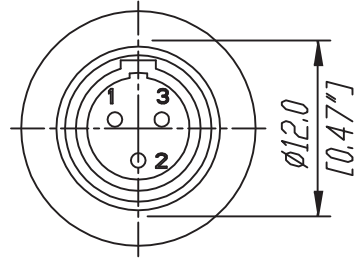
Mechanical

Lifetime	> 1000 mating cycles
Panel thickness	max. 6 mm
Wiresize	0.22 mm ² (24 AWG)

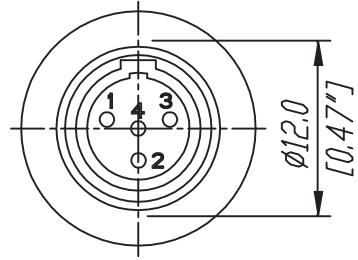
Environmental

Solderability	Complies with IEC 68-2-20
Temperature range	-30 °C to +85 °C

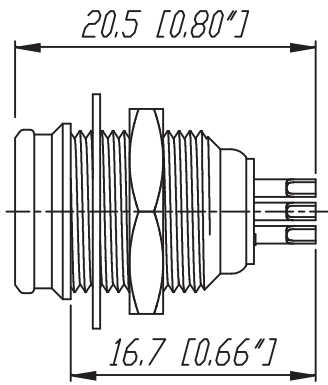
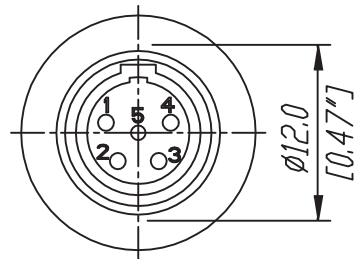
3 pole:



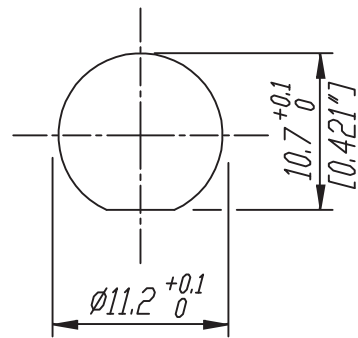
4 pole:



5 Pole:



Panel Cutout



					Werkstoff:	Maßstab:		Datum	Name	
				*)Lieferant darf ohne Ruecksprache nicht geaendert werden Zeichnung urheberrechtlich geschuetzt (DIN 34) (C)		1:1		Gezeichnet	2011.12.21	WANDY
									Geprueft	2011.12.21
				Benennung:	TINY XLR RT*MP			Gesehen		
								Ersetzt durch:	Blatt	
							Ersatz fuer:		von Blatt	
							Zeichn. Nr.			
Ind.	Aenderung	Datum	Name	REAN						