

REAN TINY-XLR MINIATURE XLR STYLE ADAPTERS



43-5119 REAN RA3FT-B Adapter, Tiny-XLR 3-pin male to XLR 3-pin female

43-5120 REAN RA3MT-B Adapter, Tiny-XLR 3-pin male to XLR 3-pin male

3 pole adapter TINY XLR male to male or female standard XLR, black metal shell, gold plated contacts.
Easy and fast solution to interconnect mini XLR's.
Rugged metal housing.

Electrical

Contact resistance	< 10 mΩ
Dielectric strength	> 0.5 kVdc
Insulation resistance	> 1 GΩ
Transmission Performance	null

Mechanical

Lifetime	> 5000 mating cycles
----------	----------------------

Material

Contact plating	Au plated
Contacts	Bronze (CuSn6) (female) / Brass (CuZn39Pb3) (male)
Insert	PA 6 30 % GR
Shell	ZuAl4Cu1
Shell plating	Black

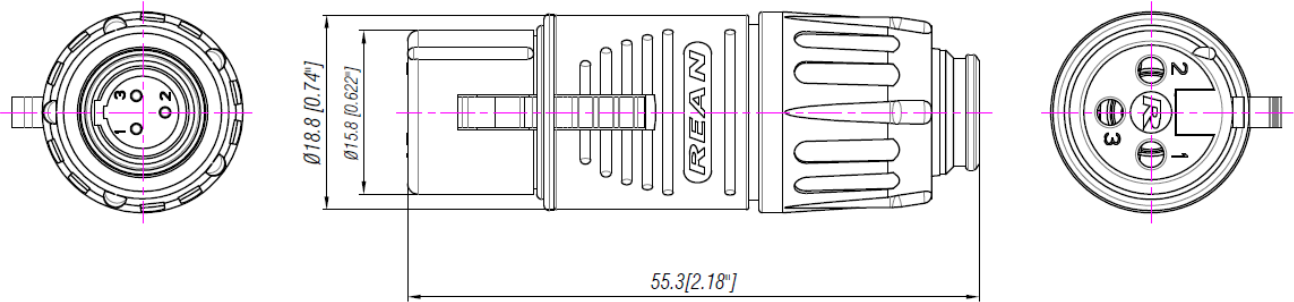
Environmental

Temperature range	-20 °C to +65 °C
-------------------	------------------

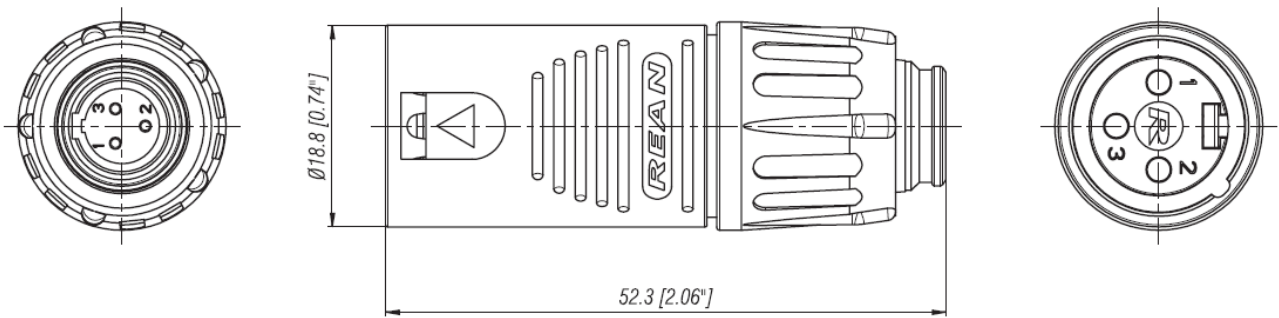
Dimensions

See diagrams on page 2

REAN TINY-XLR MINIATURE XLR STYLE ADAPTERS



43-5119 REAN RA3FT-B Adapter, Tiny-XLR 3-pin male to XLR 3-pin female



43-5120 REAN RA3MT-B Adapter, Tiny-XLR 3-pin male to XLR 3-pin male