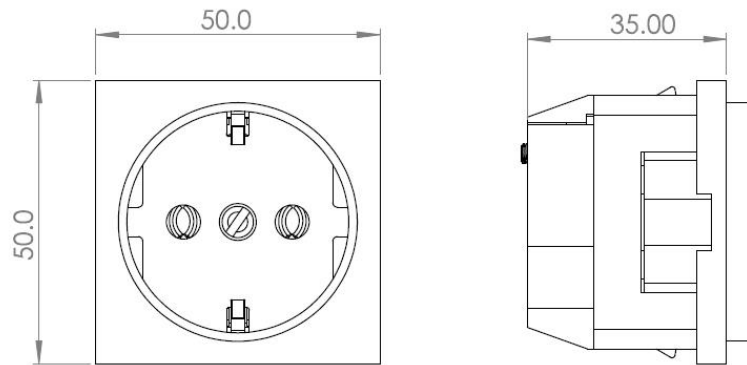


49-4065 RPP EASYCLIP MODULE PE534 16A SCHUKO socket, full module, white



Compliance	CE compliant	93/68/EEC CEE 7
Module Material	Polycarbonate	
Operational Details	Used in conjunction with Easy Clip Faceplates and others that are 50 x 50 Euromod compatible	
Mounting Box	Flush	45 ~ 47mm Suggested depth
	Surface	45 ~ 47mm Suggested depth
Terminal Capacity	Live & Neutral	2x 2.5mm ²
	Earth	2x 2.5mm ²
Current	16A	
Voltage	230 - 250VAC	
Frequency	50Hz	
Environmental	RoHS compliant	ref 2002/95/EC
	This product is not perceived or known to have hazardous materials or by-products that would be deemed hazardous to the environment.	

Suitable faceplates:

- 49-4201 RPP EASYCLIP FACEPLATE DE319 1-gang, full module, white plastic, square corners
 - 49-4202 RPP EASYCLIP FACEPLATE DE320 2-gang, 2 full modules, white plastic, square corners
 - 49-4206 RPP EASYCLIP FACEPLATE DE334 2-gang, 2 full modules, white plastic, square corners, earth bar
 - 49-4207 RPP EASYCLIP FACEPLATE DE364 1-gang, full module, white plastic, 22mm deep style
 - 49-4209 RPP EASYCLIP FACEPLATE DE366 2-gang, 2 full modules, white plastic, 22mm deep style
 - 49-4212 RPP EASYCLIP FACEPLATE 1G2MP 1-gang, full module, white plastic, contoured
 - 49-4212 RPP EASYCLIP FACEPLATE 1G2MP 1-gang, full module, white plastic, contoured
- Euromod compatible faceplates that will accommodate a full module (50 x 50)

Suitable backboxes: (45 ~ 47mm)

- 49-4403 PLASTIC SURFACE BOX 1 gang, 45mm deep
- 49-4405 PLASTIC SURFACE BOX 2 gang, 45mm deep
- 42-363 MK 877ZIC Flush box, 1 gang, 46mm
- 42-366 MK 878 Flush box, 2 gang, 47mm