

ACCESSORIES

Model UC-2R

Double Wide RACK-UP Enclosure

The UC-2R is a tabletop utility chassis for mounting RDL modules and accessories. The front and rear each feature two RACK-UP mounting bays. The mounting bays fit RACK-UP series products and AMS accessories (using AMS-RU4 adapters, available separately). The interior provides space to mount various STICK-ON and TX series modules.



Empty



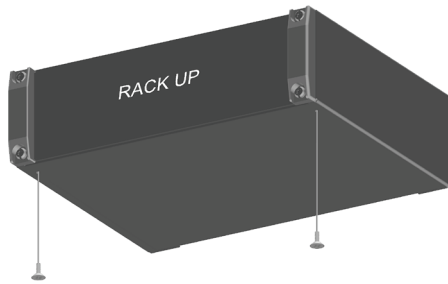
With Product Installed
(RU-SM16A and RU-SP1A Available Separately)

ACCESSORIES
Model UC-2R
Double Wide RACK-UP Enclosure

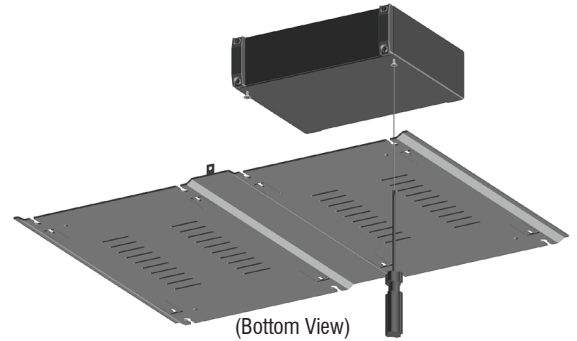
Installation/Operation



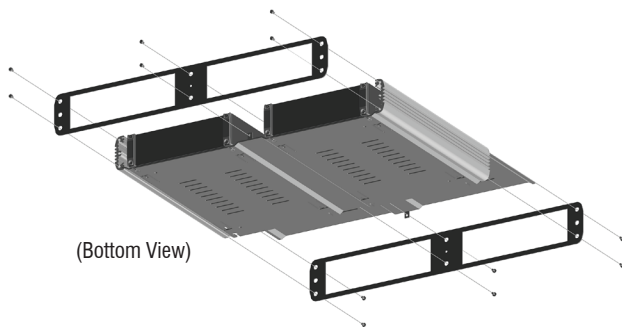
EN55103-1 E1-E5; EN55103-2 E1-E4
Typical Performance reflects product at publication time exclusive of EMC data, if any, supplied with product. Specifications are subject to change without notice.



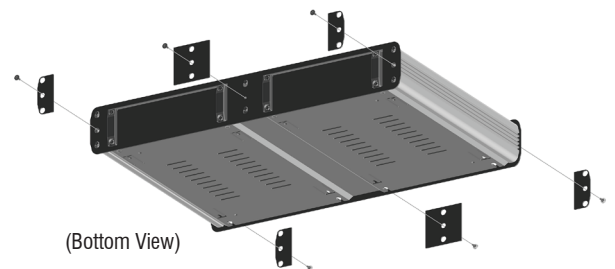
STEP #1
Start the screws into the bottom of the RACK UP but do not install them all the way.



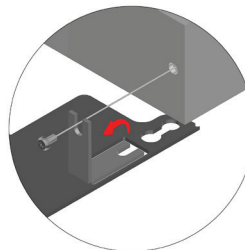
STEP #2
Secure the unit to the mounting chassis by sliding the unit rearward so that the screws seat into the mounting holes and tighten the screws. Repeat steps #1 and #2 for any other RACK-UPS or filler panels that are to be installed.



STEP #3
Slide the top and bottom plates onto the side pieces and secure the front and back plates to the side pieces with the 12 torx head screws.



STEP #4: Install the trim plates with the 6 crosshead undercut screws.



NOTE: When installing a RACK UP product that is in a plastic box start by removing the screws from the back of the RACK UP. Bend the tabs on the mounting unit up at a 90° angle. Secure the unit to the mounting chassis using the screws.