



# RDL®

High Performance Audio Products. Made in America.

## Model EU-BTN21 Bluetooth® Audio Dante Network Interface



- Bluetooth Audio Input for Dante or AES67 Networked System
- Bluetooth Stereo or Mono Sum Feeds Two Network Channels
- Return Audio Talk Channel from Dante Network to Bluetooth-Connected Device
- Intuitive Single Button Bluetooth Pairing with LED Status Indication
- Bluetooth Functions are Controllable in RDL CONSOLE Software
- Q-SYS Plug-In Available for Configuring in Q-SYS Environment
- Controllable Functions Include Pairing/Un-pairing, Media Source Track Selection and Level
- Bluetooth Track Title and Artist Data are Multicast on the Network to Compatible Devices
- Customize the Module ID Name, Settings and Mono/Stereo Mode using RDL CONSOLE Software
- White Faceplate Laminate is Installed, Field-Replaceable Black Laminate Included
- European 45 mm x 45 mm Chassis Fits in a Standard 60 mm Deep EU Junction Box
- Module is PoE Powered

**APPLICATION:** The EU-BTN21 modules are Dante or AES67 networked, wall-mounted audio interfaces that provide bidirectional Bluetooth audio. The modules are configurable using RDL CONSOLE software. The module multicasts Bluetooth media data and module function status for use with RDL CONSOLE software and other compatible software. Stereo or summed mono audio is available to users through two Dante network channels. Stereo or mono audio may be selected using RDL CONSOLE software or by remote control commands. One Dante channel may be routed back to a connected device through the Bluetooth interface enabling full duplex communication

The installer can customize the module Bluetooth name using RDL CONSOLE software. The default module name is EU\_BTN21\_G2. Additional settings include the LED dim intensity and the timeout to dim the LEDs. The default timeout is 30 seconds.

The EU-BTN21 modules are PoE-powered.

High performance, simplicity of operation and efficiency of installation make RDL the best value in professional Bluetooth interfaces.



# RDL®

High Performance Audio Products. Made in America.

## Model EU-BTN21 Bluetooth® Audio Dante Network Interface

This product is not specified to provide basic insulation from network cabling not installed wholly within the same building structure or terminated on equipment earthed to a different earthing network.

### Instructions for Bluetooth pairing

These instructions are based on the default RDL unit identification as EU\_BTN21\_G2. If the RDL unit has been renamed by the installer, substitute the new name for EU\_BTN\_G2 in the following steps.

#### PAIRING FROM DEVICE

1] Press and hold the PAIR button until the blue LED on the RDL unit illuminates, then release.

*Note: The blue LED flashes as long as the unit is available for pairing. If the blue LED stops flashing before the pairing process is completed, restart these steps.*

2] While the blue LED is flashing, locate EU\_BTN21\_G2 on your device's Bluetooth settings and click PAIR DEVICE, following screen prompts to complete the pairing process.

*Note: The blue LED glows steady while the RDL unit is paired.*

#### PAIRING FROM RDL CONSOLE 2.0

1] Open RDL Console 2.0 or later and find the unit to which you wish to pair and click the gear icon.

2] In the new window click on the MEDIA tab.

3] Click CONNECT.

*Note: The blue LED flashes as long as the unit is available for pairing. If the blue LED stops flashing before the pairing process is completed, restart these steps.*

4] While the blue LED is flashing, locate EU\_BTN21\_G2 on your device's Bluetooth settings and click PAIR DEVICE, following screen prompts to complete the pairing process.

*Note: The blue LED glows steady while the RDL unit is paired.*

#### UN-PAIRING

The RDL unit will unpair automatically 30 seconds after the user device leaves the area. The user device may be manually disconnected by pressing and holding the PAIR button on the RDL unit or Pressing the DISCONNECT button in RDL Console 2.0.

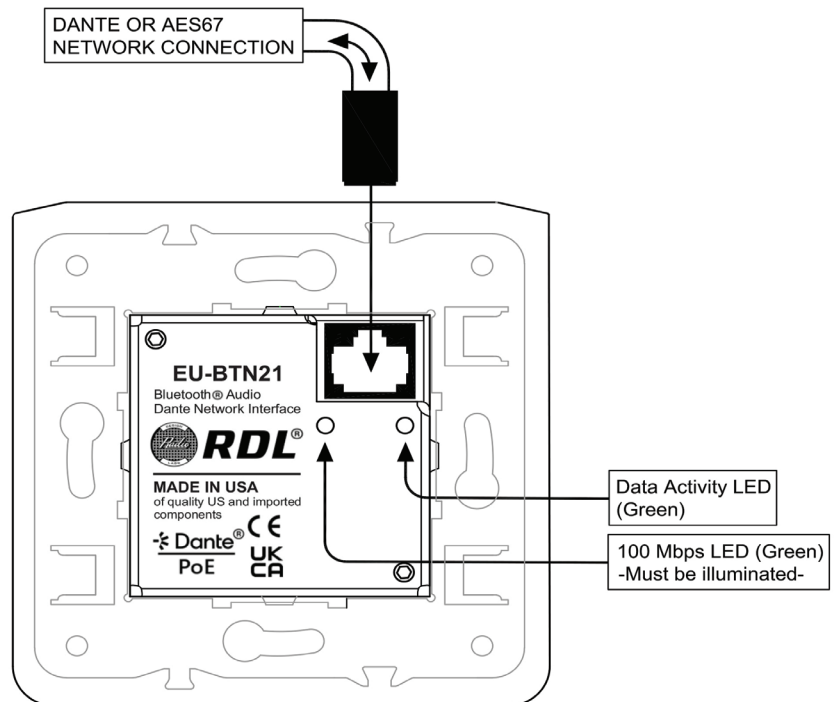
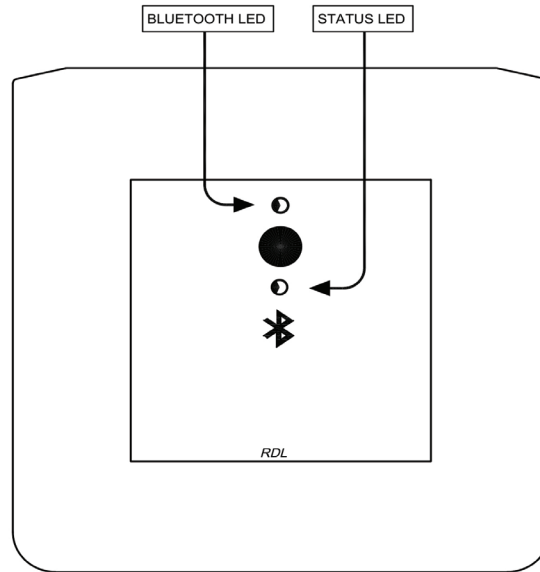
#### RE-PAIRING

1] Press and hold the PAIR button until the blue LED on the RDL unit illuminates, then release.

2] While the blue LED is flashing, locate EU\_BTN21\_G2 under Previously Connected Devices on your device's Bluetooth settings and click EU\_BTN21\_G2, following screen prompts to complete the re-pairing process.

*Note: If the re-pairing fails, click Forget Device on the user device and pair the RDL unit as a new device.*

Upon successful pairing, the user device applications for audio playback through a Bluetooth interface may be used.



See the EU-BTN21 page at [rdlnet.com](http://rdlnet.com) to download the latest RDL Console.



# RDL®

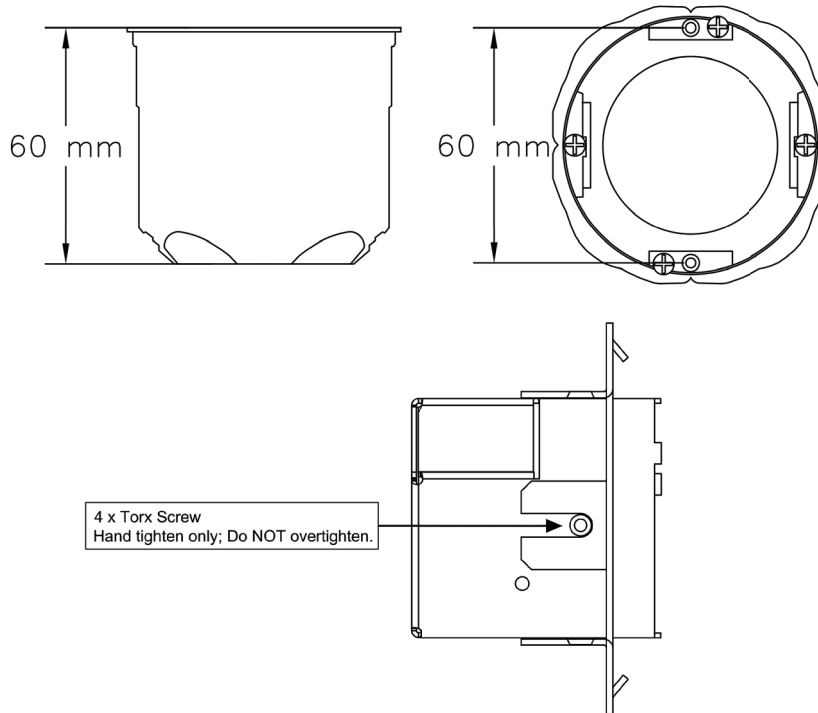
High Performance Audio Products. Made in America.

## Model EU-BTN21 Bluetooth® Audio Dante Network Interface

### Installation/Operation

**CE** Declaration of Conformity available from rdlnet.com.  
Sole EMC specifications provided on product package.  
Specifications are subject to change without notice.

The EU-BTN21's 45 mm x 45 mm Chassis Fits in a Standard 60 mm Deep EU Junction Box



#### TYPICAL PERFORMANCE

|                                  |  |
|----------------------------------|--|
| Network Connector:               | RJ45 with Link and Speed indicators                                    |
| Digital Audio Ethernet Protocol: | Dante or AES67   |
| Transmission Rate:               | 100 Mbps   |
| Sample Rates Supported:          | 48 kHz   |
| Bit Depth Supported:             | 24 bits  |
| Audio Operating Levels:          | -20 dBFS = +4 dBu (balanced); -20 dBFS = -10 dBV (unbalanced), nominal |

|                                  |   |
|----------------------------------|---|
| Common Indicators (Front Panel): | Bluetooth®, Network Sync                            |
| Power Connection:                | PoE (RJ45)  |
| Ambient Operating Environment:   | 0° C to 40° C                                       |
| Power Requirement:               | PoE   |
| PoE:                             | Class 0, IEEE 802.3af                               |
| Dimensions:                      | 1.77" (45 mm) W; 1.77" (45 mm) H; 1.86" (47.3 mm) D |
| Package Type:                    | Cardboard Box                                       |
| Package Dimensions:              | 2.25 x 4.3 x 4.9 in.                                |
| Shipping Weight:                 | 0.520lb.  |
| WEEE weight:                     | 0.375 lbs.  |

Black cover plate not included.

Safety instructions/Consignes de sécurité/  
Instrucciones de seguridad/Sicherheitshinweise:



EU Importer:  
Importateur de l'UE:  
Importador de la UE:  
EU-Importeur:

RDL Europe B.V.  
Joan Muyskenweg 124  
1114 AN Amsterdam

891-7725

Radio Design Labs Technical Support Centers

U.S.A. (800) 933-1780, (928) 778-3554 - Europe [NH Amsterdam-Duivendrecht] ++(31) 20-6238 983