

ACCESSORIES

Model AMS-FP1

Filler Plate

- Mounts in D-Style Standard Cutouts
- Mounts in all AMS Mounting Frames
- Mounts in RDL Decora-Style Wall Plates
- Availability of a Wide Variety of Associated AMS Accessories
- Bezel Provides Professional Aesthetic Appearance
- Provides Flexibility for Connections and Controls

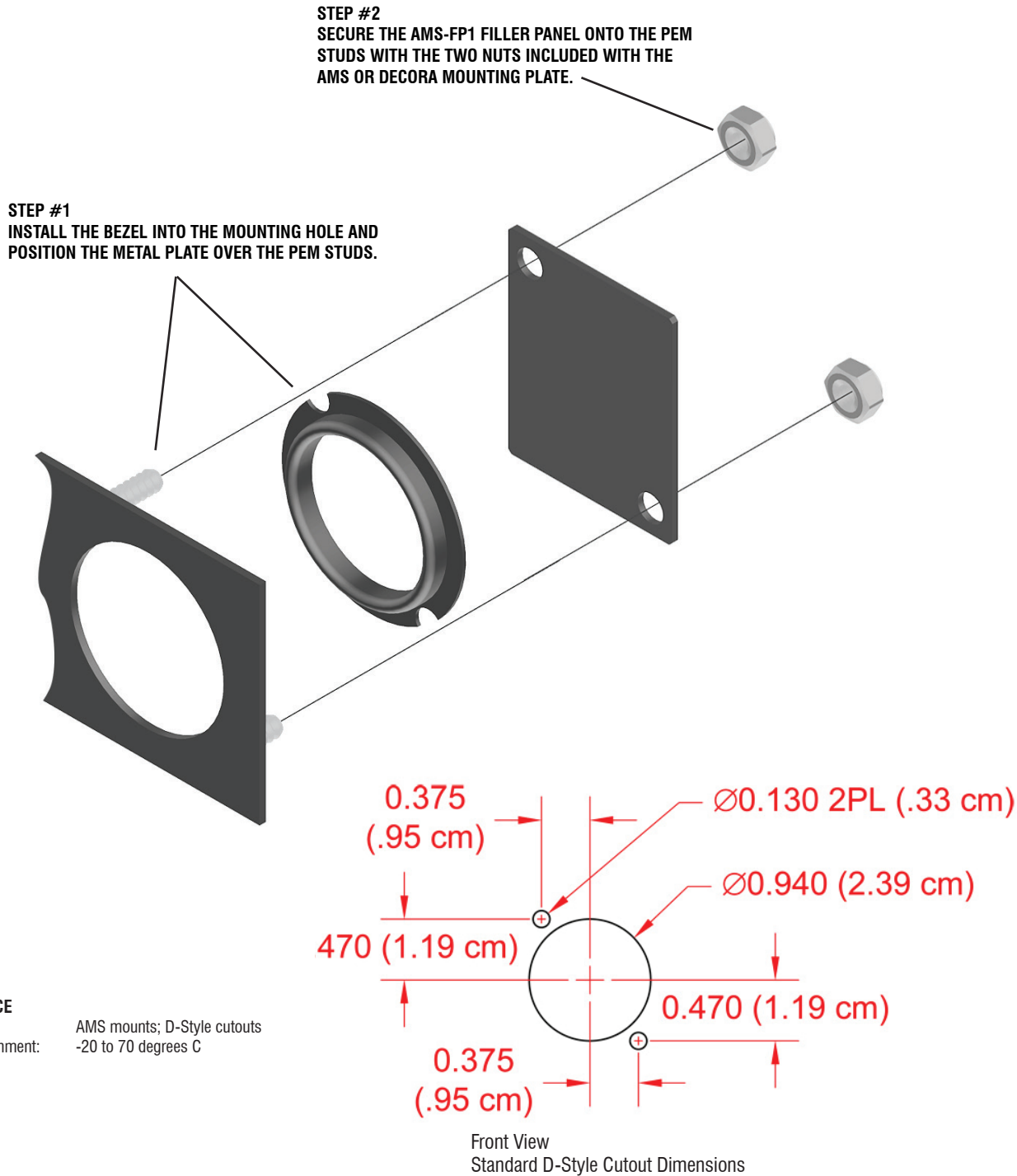


The AMS SYSTEM is a versatile product group from Radio Design Labs. The unique design allows the associated AMS accessories to mount into any standard RDL RACK-UP® or HALF-RACK mounting opening as well as other RDL mounting accessories and enclosures. These optionally available RDL rack mount, wall mount and countertop enclosures make the AMS SYSTEM accessories useful in a wide variety of installations.

APPLICATION: The AMS- FP1 is a filler panel that mounts in AMS mounting frames and in standard D-style cutouts. The plate is constructed of black satin powder coated steel. A black plastic bezel is provided to finish the D-style cutout hole when the panel is mounted.

ACCESSORIES
Model AMS-FP1
Filler Plate

Installation/Operation



TYPICAL PERFORMANCE

Mounting: AMS mounts; D-Style cutouts
Ambient Operating Environment: -20 to 70 degrees C