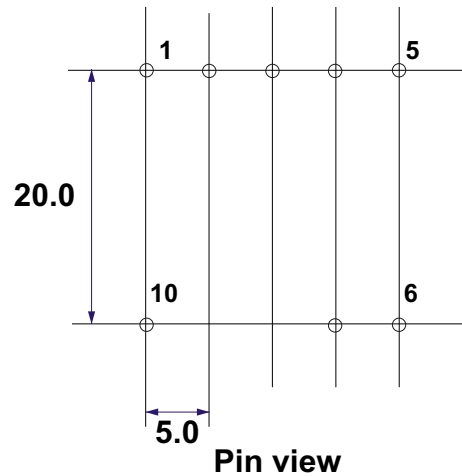
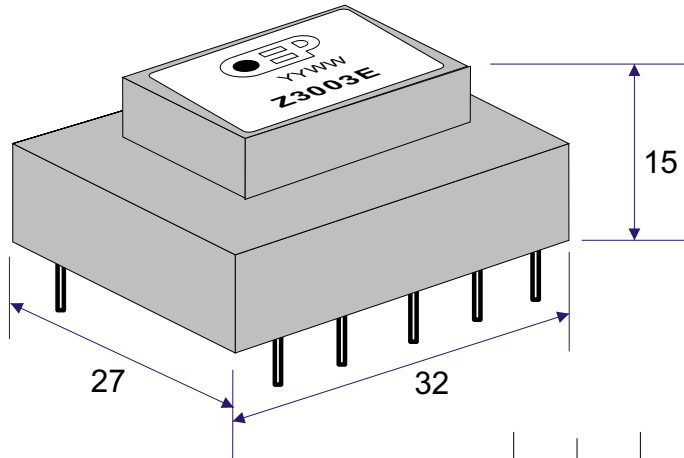
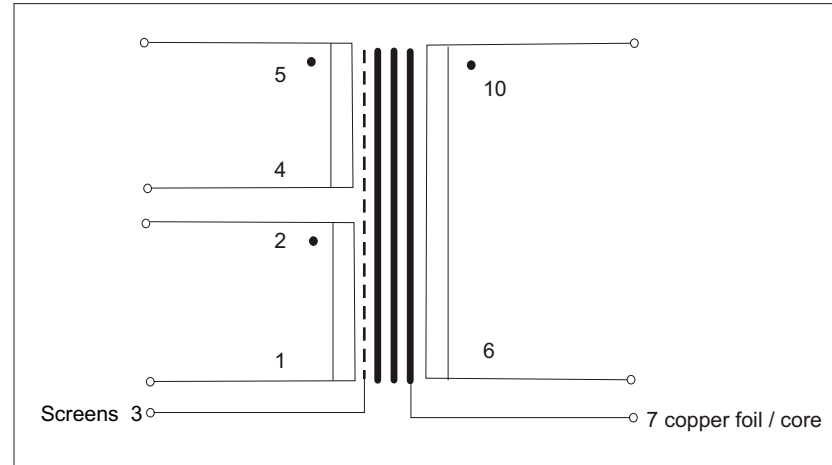


Label



Mass = 0.045kg  
Pin diameter = 0.80mm



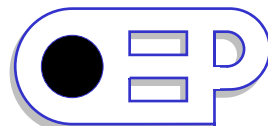
**Electrical specification:**

Ratio: 1+1 to 2  
 Source impedance: 10k ohms  
 Optimum load impedance: 10k ohms  
 Frequency range: 20Hz - 20kHz, +/- 0.2dB  
 THD: 1% max. at + 20dB  
 Common mode rejection ratio better than -60dB @ 10kHz  
 Primary DC resistance: 2k1 ohms +/-15%  
 Secondary DC resistance: 2k2 ohms +/-15%  
 Nominal inductance: 61.2H @ 100Hz, 0.27V

Operating temperature range: -20 to +70°C  
 Fitted with electrostatic screen and stray flux screen.

Optional mu-metal screening can is available (33 x 28 x 16) to reduce electrical hum by up to 30dB

600 impedance version available. Part number **Z3001E/2**

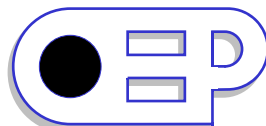
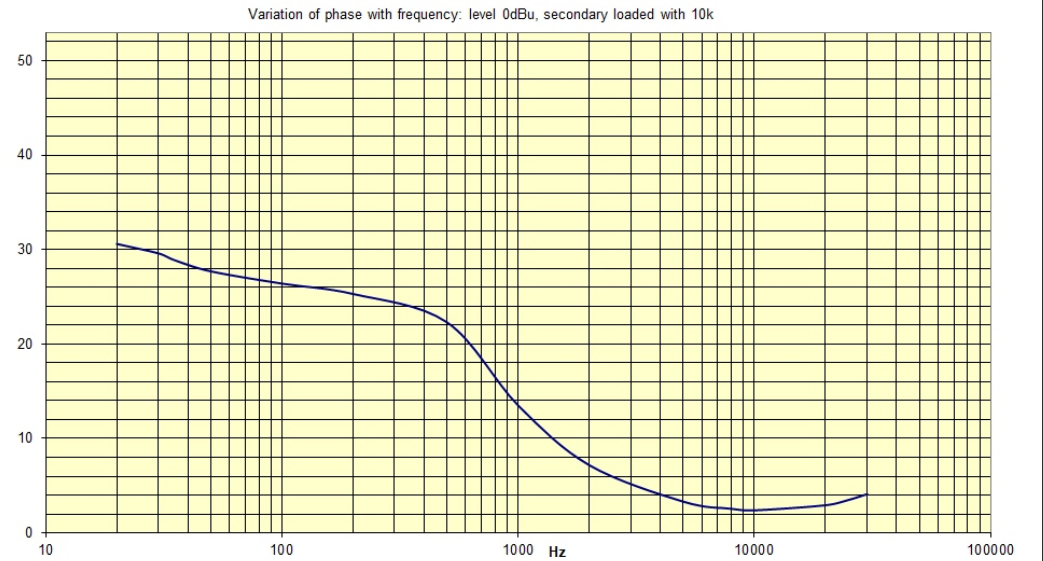
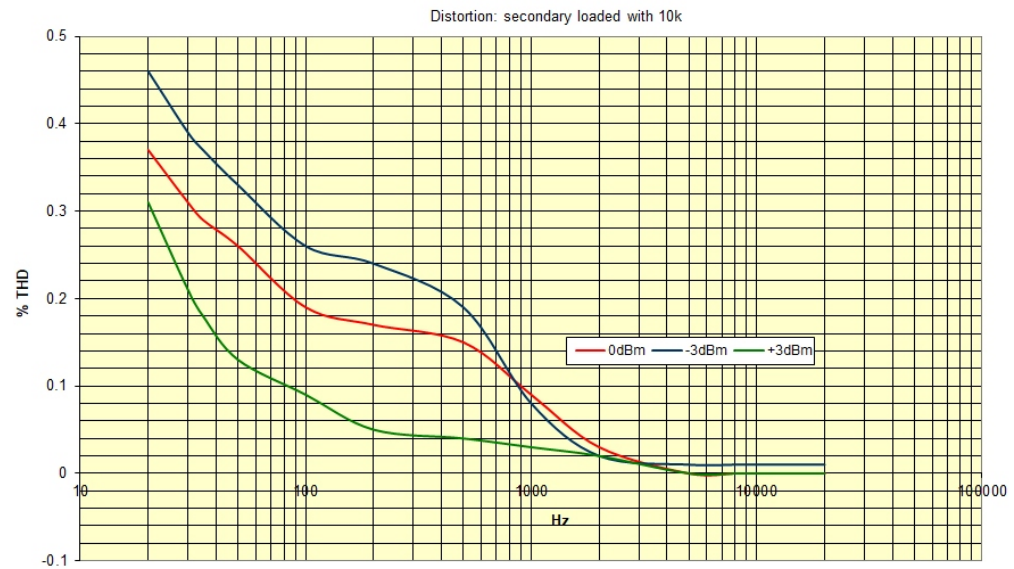
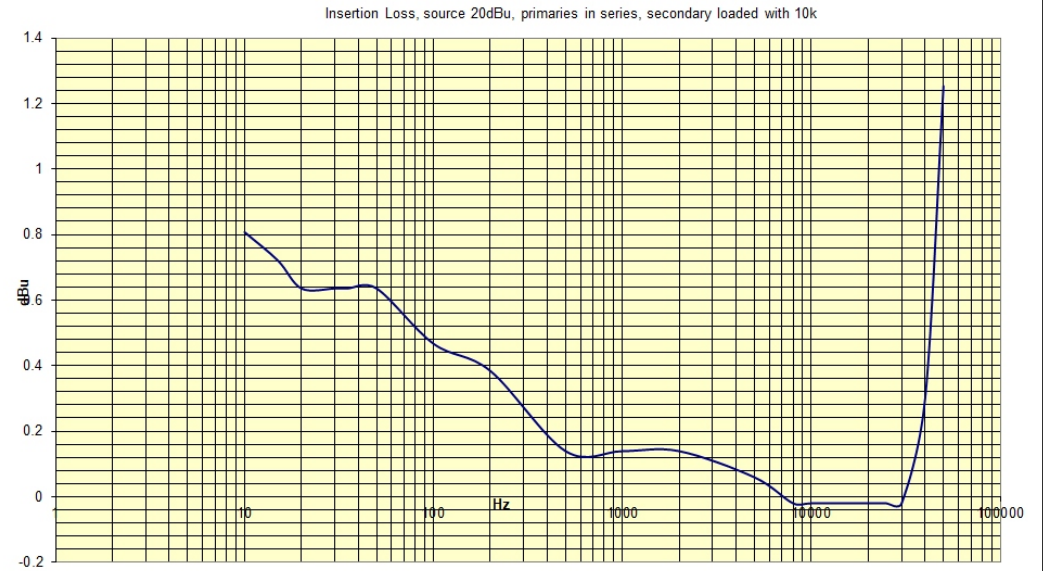
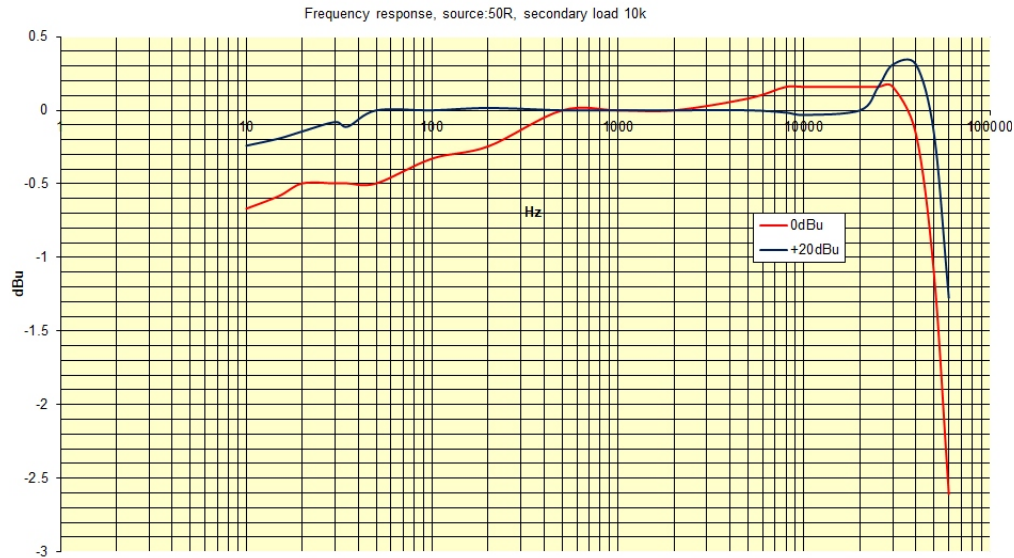


Unit 5, Oxonian Park, Langford Locks,  
Kidlington, Oxfordshire. OX5 1FP  
Tel: (01865) 855085 Fax: (01865) 855075  
Website: [www.oep.co.uk](http://www.oep.co.uk)

DESCRIPTION	ISSUE	DATE	DRAWN	CHECKED	DRAWING NUMBER
Specification for Z3003E	1	29/06/05	CS		<b>Z3003E</b>
	4	16/07/14	CS		
	5	01/05/15	CS		
	6	24/07/17	CS		

Scale: nts

All dimensions in mm unless stated otherwise



Unit 5, Oxonian Park, Langford Locks,  
Kidlington, Oxfordshire. OX5 1FP  
Tel: (01865) 855085 Fax: (01865) 855075  
Website: [www.oep.co.uk](http://www.oep.co.uk)

DESCRIPTION	ISSUE	DATE	DRAWN	CHECKED	
Specification for Z3003E	1	29/06/05	CS		
	4	16/07/14	CS		
	5	01/05/15	CS		
	6	24/07/17	CS		
	Scale : N/A				
	All dimensions in mm unless stated otherwise				

**DRAWING NUMBER**

**Z3003E**