



# LH 48

## Mounting manual

### Mounting flange adaptor

EN

## Important safety and mounting instructions

- Have the product mounted by a specialist.
- Due to his/her technical training, know-how and experience as well as knowledge of relevant provisions, regulations and standards, the specialist must be able to assess assigned tasks, recognize potential hazards and ensure appropriate safety measures. The following safety and mounting instructions are addressed to this specialist.
- Read and follow the safety and mounting instructions, keep these instructions and always include them when passing the LH 48 on to third parties.
- Also read and follow the installation instructions contained in the operating manual of the mounted loudspeaker.
- When mounting, observe and follow the local, national and international regulations and standards.
- Do not install the LH 48 in locations where it is exposed to externally generated vibrations.
- Always use the original Neumann supplied parts.
- Mount the LH 48 in combination with other accessories from the Neumann mounting hardware range to loudspeakers with a maximum weight of 65 kg (143.3 lbs).



Download the PDF file "Hardware Mounting Matrix" from [www.neumann.com](http://www.neumann.com). Only combine the Neumann mounting hardware as specified in the "Hardware Mounting Matrix".



### CAUTION!

Danger of injury and material damage due to dropping of the loudspeaker/mounting hardware!

Unless the LH 48 is properly fastened, the loudspeaker together with the mounting hardware can drop down.

- ▶ Have the loudspeaker held by a second specialist who is physically able to do so. The requirements mentioned earlier also apply to this specialist.
- ▶ When mounting the loudspeaker, provide a sufficient additional protection against dropping.

If you use other M8 bolts than the supplied ones to fasten the LH 48 to other Neumann mounting hardware and/or K&M monitor stands, the loudspeaker together with the mounting hardware can drop down.

- ▶ Always use the supplied bolts to fasten the LH 48.

- Fasten the LH 48 to the K&M monitor stand. Use the two bolts **B** and fasten them with a torque of 10 Nm (see fig. 1).
- Attach the mounting hardware to the LH 48 (see the "Hardware Mounting Matrix"). Use the two bolts **C** and fasten them with a torque of 20 Nm (see fig. 2). Also read and follow the safety and mounting instructions contained in the operating manual of the selected mounting hardware.
- If different mounting positions are possible, choose mounting points that minimize leverage when the loudspeaker is tilted. As a rule, this means that the other Neumann mounting hardware is centrally mounted to the LH 48.

- Attach your loudspeaker to the Neumann mounting hardware. Follow the safety and mounting instructions of the loudspeaker and the mounting hardware.
- Use safety wires to additionally protect the loudspeaker and the mounting hardware against tipping/dropping. The safety wires, rope terminations and coupling links must comply in their dimensioning and condition with the regulations and standards of the country in which they are used and must reliably prevent tipping/dropping of a loudspeaker and the attached mounting hardware.
- Make sure that ...
  - the LH 48, the K&M monitor stand, the associated mounting hardware and the loudspeaker cannot tip over or drop down, even if the power or audio cables are pulled;
  - you replace the safety wires and coupling links by new ones when they have prevented tipping/dropping;
  - you check every 3 months if all screws are properly tightened and if the LH 48, the K&M monitor stand and associated mounting hardware, additional fastening elements, safety wires and coupling links, as well as the loudspeaker are in proper condition.

In case of any damage or any deviation from the safety and mounting instructions, immediately dismount the loudspeaker, the LH 48 and the additional mounting hardware used.

## Delivery includes

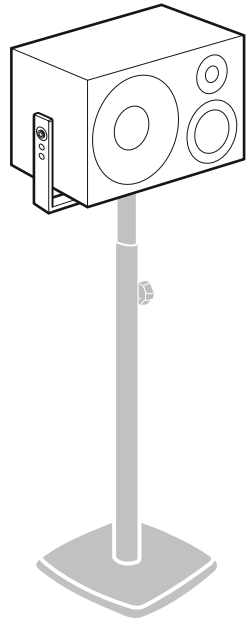
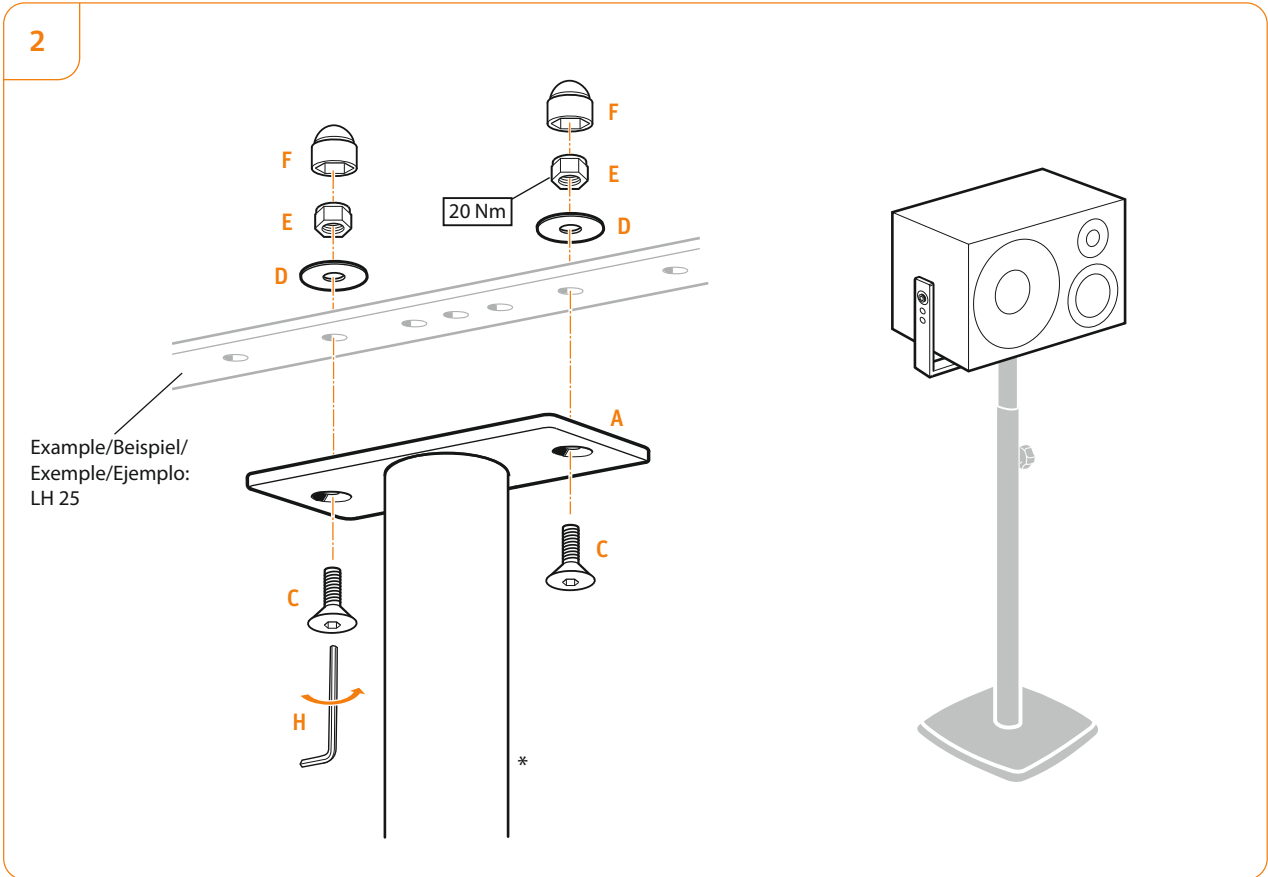
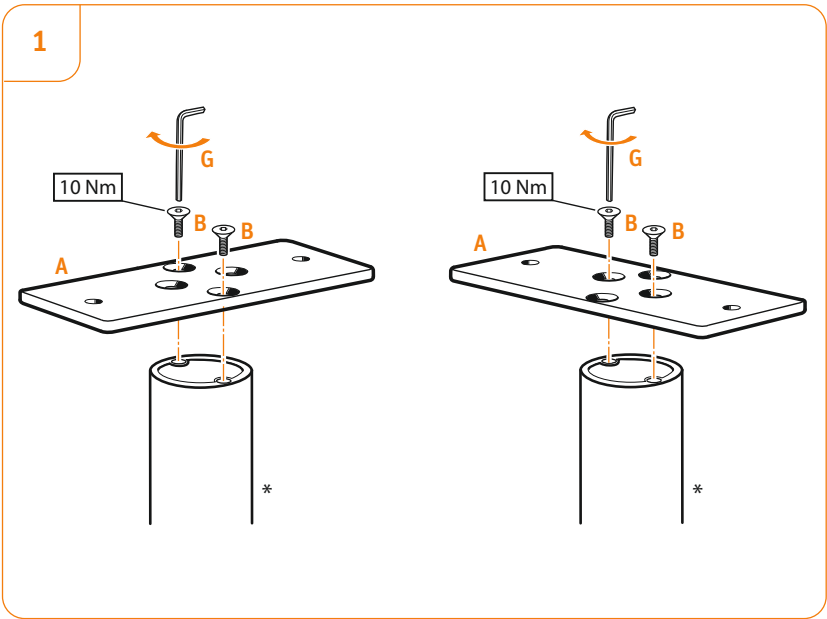
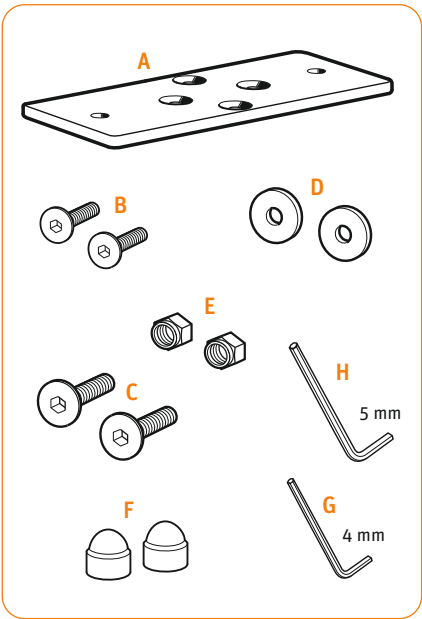
- A:** 1 x LH 48 stand adaptor plate
- B:** 2 x M6x16 bolts with countersunk Allen key head
- C:** 2 x M8x20 bolts with countersunk Allen key head
- D:** 2 x metal washers
- E:** 2 x M8 nuts
- F:** 2 x cover caps, PVC
- G:** 1 x 4 mm Allen key
- H:** 1 x 5 mm Allen key

## Specifications

Weight	0.20 kg (0.4 lbs)
Dimensions	4 x 60 x 146 mm (H x W x D) 5/32" x 2 3/8" x 5 3/4" (H x W x D)
Max. load	65.0 kg (143.3 lbs)

## Guarantee

For the current terms and conditions of the product guarantee please visit [www.neumann.com](http://www.neumann.com).



\* Sourced from 3rd parties