



# LH 46 Mounting manual | Montageanleitung Notice de montage | Instrucciones de montaje

Adjustable Ceiling Drop Adapter | Teleskopdeckenhalterung  
Adaptateur pour fixation au plafond | Soporte de montaje

## Important safety and mounting instructions

EN

- Have the product mounted by a specialist.
- Due to his/her technical training, know-how and experience as well as knowledge of relevant provisions, regulations and standards, the specialist must be able to assess assigned tasks, recognize potential hazards and ensure appropriate safety measures. The following safety and mounting instructions are addressed to this specialist.
- Read and follow the safety and mounting instructions, keep these instructions and always include them when passing the LH 46 on to third parties.
- Also read and follow the installation instructions contained in the operating manual of the mounted loudspeaker.
- When mounting, observe and follow the local, national and international regulations and standards.
- Do not install the LH 46 in locations where it is exposed to externally generated vibrations.
- Always use the original Neumann supplied parts.
- Mount the LH 46 in combination with other accessories from the Neumann mounting hardware range to loudspeakers with a maximum weight of 60 kg (132.3 lbs).



Download the PDF file "Hardware Mounting Matrix" from [www.neumann.com](http://www.neumann.com). Only combine the Neumann mounting hardware as specified in the "Hardware Mounting Matrix".



**CAUTION!**  
Danger of injury and material damage due to dropping of the mounting plate **A** and the inner tube of the telescopic tube **D**

Unless the mounting plate **A** of the LH 46 is properly attached to a strong horizontal surface and the inner tube of the telescopic tube **D** is secured in place with screws, these parts can drop down.

- ▶ When mounting, have the mounting plate **A** and the inner tube of the telescopic tube **D** held by a second specialist who is physically able to do so. The requirements mentioned earlier also apply to this specialist.

- Attach the mounting plate **A** of the LH 46 to a strong horizontal surface.
  - The surface must be able to carry the weight of the loudspeaker plus the weight of all parts used. Calculate the weight and additionally consider the leverage.
  - Use fastening elements (not supplied) that are sufficiently dimensioned for the calculated weight and suitable for the material of the surface.
  - Use all 8 mounting points of the mounting plate **A** to attach the LH 46 to the horizontal surface.
- Use at least one hex head screw **C** to secure the inner tube of the telescopic tube **D** against dropping (see fig. 1).
- Place the telescopic tube **D** onto the mounting cylinder **B** and fasten the telescopic tube to the mounting cylinder using 4 of the hex head screws **C**.
- To do so, use the 5 mm Allen key **G** and tighten the screws with a torque of 15 Nm (see fig. 1).
- Only adjust and secure the height of the telescopic tube when a load is not attached:
  - To prevent the inner tube from accidentally slipping out of the telescopic tube, always hold the inner tube with one hand when adjusting the height.
  - Loosen the hex head screw **C** which secures the inner tube of the telescopic tube.

- Pull the inner tube out of the telescopic tube to adjust the desired height.
- Secure the desired height with 2 of the hex head screws **C** and tighten the screws with a torque of 15 Nm.
- Attach additional Neumann mounting hardware that is suitable for use with the LH 46 to your loudspeaker (see the "Hardware Mounting Matrix").
  - Also read and follow the safety and mounting instructions contained in the operating manuals of the selected Neumann mounting hardware.
  - Only tilt the loudspeaker when it is properly fastened to the LH 46 and to additional Neumann mounting hardware, and when it is secured.
- Mount the loudspeaker plus additionally attached hardware to the telescopic tube **D**. To do so, proceed as follows:



**CAUTION!**  
Danger of injury and material damage due to dropping of the loudspeaker

Unless the additional hardware is properly fastened to the telescopic tube **D**, the loudspeaker together with the mounting hardware can drop down.

- ▶ Have the loudspeaker held by a second specialist who is physically able to do so. The requirements mentioned earlier also apply to this specialist.
- ▶ When mounting the loudspeaker, provide a sufficient additional protection against dropping.

- Loosen the 4 Allen head bolts **F** of the locking ring **E**, position the locking ring in the upper position and tighten one of the 4 Allen head bolts **F** so that the locking ring **E** cannot work loose and fall off.
- Place the loudspeaker plus additionally attached hardware onto the telescopic tube **D** as shown in figs. 3, 4 and 5.
- Loosen the previously tightened Allen head bolt **F** of the locking ring **E** (see fig. 6) and lower the locking ring **E** (see fig. 7).
- Tighten the previously loosened Allen head bolt **F** so that the locking ring **E** is fixed loosely in the lower position.
- Rotate the loudspeaker in the desired direction.
- Tighten the 4 Allen head bolts **F** of the locking ring **E** with a torque of 15 Nm. The loudspeaker with attached additional hardware is now properly fastened to the LH 46.
- Use safety wires to additionally protect the loudspeaker and the mounting hardware against tipping/dropping. The safety wires, rope terminations and coupling links must comply in their dimensioning and condition with the regulations and standards of the country in which they are used and must reliably prevent tipping/dropping of the attached loudspeaker and mounting hardware.
- Make sure that ...
  - the LH 46, the associated mounting hardware and the loudspeaker cannot tip over or drop down, even if the power or audio cables are pulled;
  - you replace the safety wires and coupling links by new ones when they have prevented tipping/dropping;
  - you check every 3 months if all screws are properly tightened and if the LH 46 and associated mounting hardware, additional fastening elements, safety wires and coupling links, as well as the loudspeaker are in proper condition.



▶▶ NEUMANN.BERLIN

In case of any damage or any deviation from the safety and mounting instructions, immediately dismount the loudspeaker, the LH 46 and the additional mounting hardware used.

## Package contents

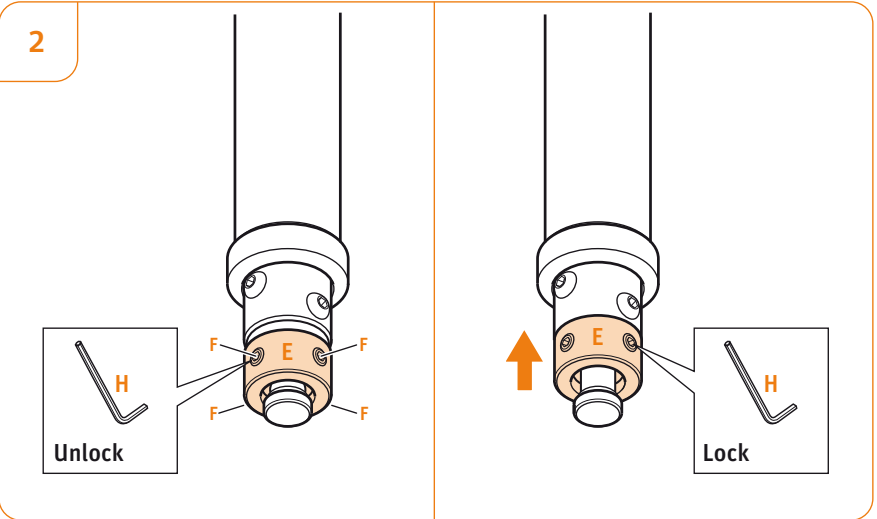
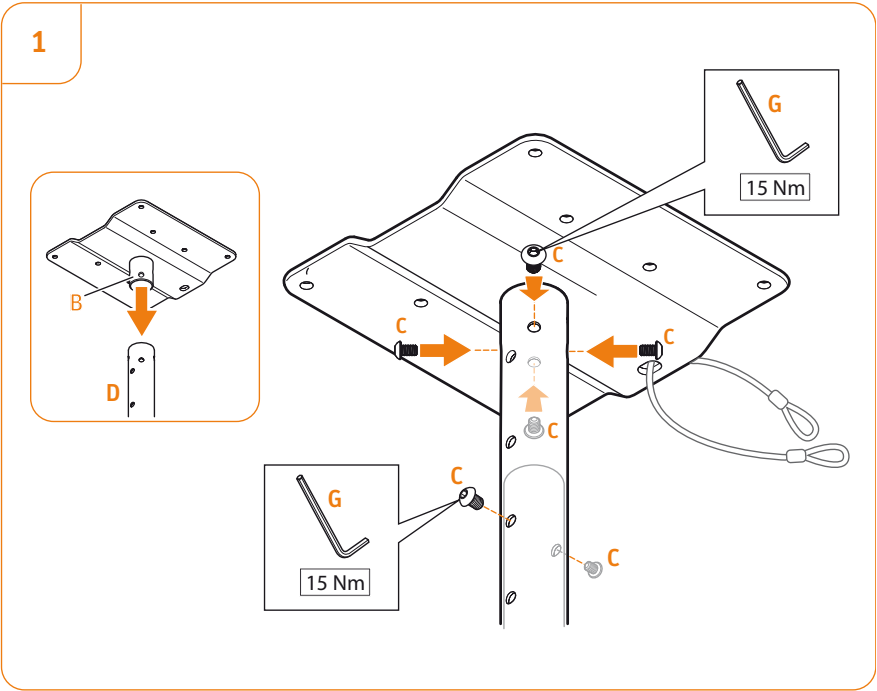
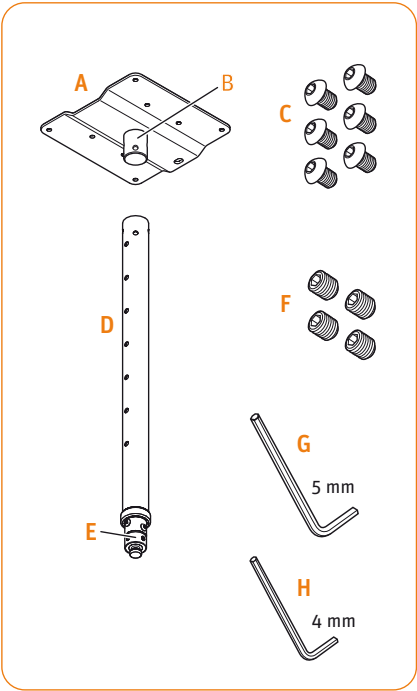
- A: 1 x ceiling mounting plate
- B: 1 x mounting cylinder
- C: 6 x M8x12 hex head screws, of which 1 is pre-mounted
- D: 1 x telescopic tube
- E: 1 x locking ring
- F: 4 x M8 x 10 Allen head bolts for securing the locking ring E, pre-mounted
- G: 1 x 5 mm Allen key
- H: 1 x 4 mm Allen key

## Specifications

Weight	6.8 kg (15 lbs)
Dimensions	768–1218 x 250 x 250 mm (H x W x D) 30 3/4"–48" x 9 7/8" x 9 7/8" (H x W x D)
Max. load	60 kg (132.3 lbs)

## Guarantee

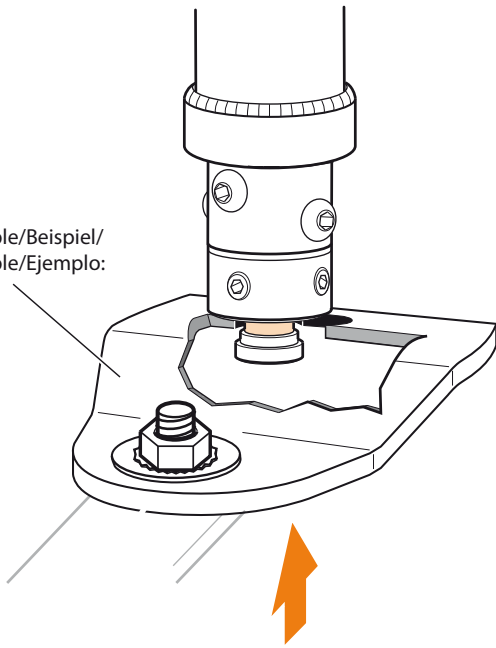
For the current terms and conditions of the product guarantee please visit [www.neumann.com](http://www.neumann.com).



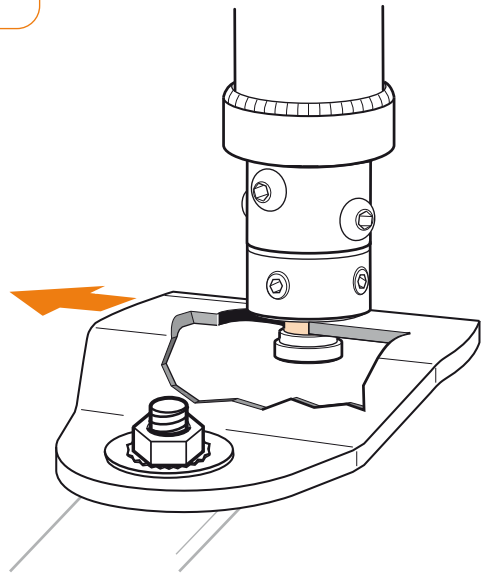


3

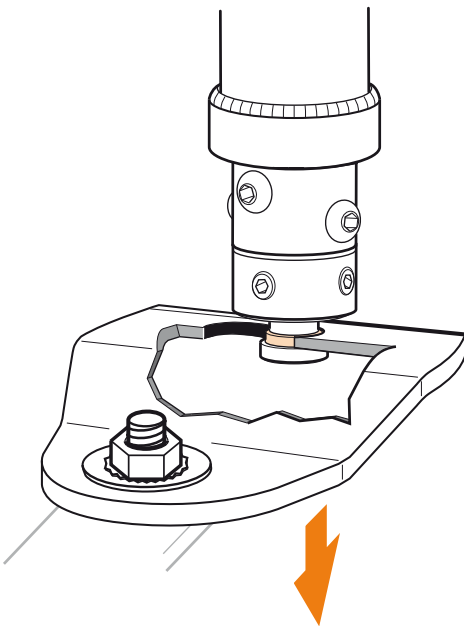
Example/Beispiel/  
Exemple/Ejemplo:  
LH 47



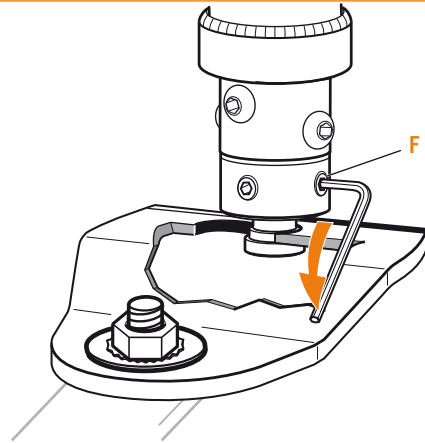
4



5



6



7

