

Overview:

The HDMI 2.0 Extender Kit allows HDMI equipment supporting uncompressed video up to 4K/60 (4:4:4) resolutions to be connected over Cat6a/7 unshielded twisted pair cable in a point-to-point configuration at distances up to 30m at 4K/60, 40m at 4K/30 and 45m at 1080p. The unit supports HDCP 2.2, and audio pass-through up to Dolby Atmos & DTS:X. The HDMI 2.0 Extender Kit supports a 1-way IR port (carrier wave) for remote control of end devices. The kit comes with one (1) Transmitter and one (1) Receiver as well as an IR Emitter and IR Sensor for remote control applications.



Features:

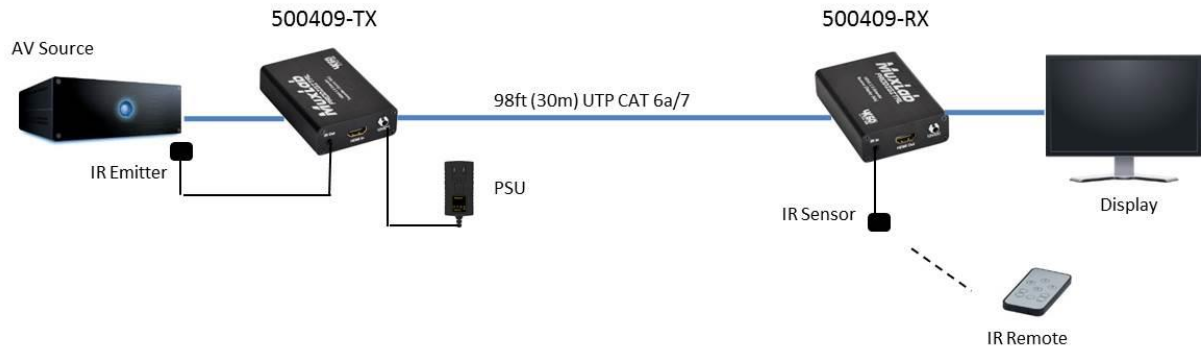
- Video up to 4K/60 (4:4:4) uncompressed
- HDCP 2.2
- Pass-through of up to Dolby Atmos and DTS:X audio
- 30m (100ft) at 4K/60 over Cat6a/7 cable
- Point-to-point connectivity
- 1-way IR for remote control of end devices
- PoC to power either the TX or RX unit

Applications:

Environment	HDMI 2.0
Devices	DVD, plasma, projectors, monitors, TV, PC, laptops, servers supporting HDMI.
Transmission	Transparent to the user
Bandwidth	594MHz
Signals	HDMI 2.0 and HDCP 2.2
Connectors	One (1) HDMI receptacle. One (1) RJ45S for Cat 5e/6 unshielded or shielded twisted pair. One (1) 3.5mm jacks for 1-way IR (emitter or sensor) (IR port supports carrier wave from 38 to 60KHz) <i>Note: HDMI cables not included.</i>
Maximum Distance <i>Based on a maximum length of 6.6 ft (2 m) of HDMI cable per end.</i>	30m (100ft) at 4K/60 (4:4:4) uncompressed over Cat 6a/7 40m (130ft) at 4K/30 (4:4:4) uncompressed over Cat 6a/7 45m (148ft) at 1080p/60 uncompressed over Cat 6a/7 <i>Note: When installed in an electrically noisy environment, an STP cable must be used. Also, cross-connection reduces the effective distance depending on the grade of twisted cable used.</i>
RJ45 Pin Configuration <i>Reverse Polarity Sensitive. Use EIA/TIA 568A or 586B straight-through wiring.</i>	RJ45 Link Pin 1 (R) Pin 2 (T) Pin 3 (R) Pin 6 (T) Pin 4 (R) Pin 5 (T) Pin 7 (R) Pin 8 (T)
Cable	One (1) Cat 6a/7 or better twisted pair cables required
Power Supply	One (1) 110-240V/12VDC @ 2A power supplies with interchangeable blades; US, UK & Euro
Power Consumption	Transmitter: 6 Watt Receiver: 6 Watt
Temperature	Operating: 0° to 40°C Storage: -20° to 70°C Humidity: Up to 95% non-condensing
Enclosure	Metal black
Dimensions	3.54" x 1.73" x 0.91" (90 mm x 44 mm x 23 mm)
Weight	1.0 lb (0.45 kg)
Compliance	Regulatory: FCC, CE, RoHS
Warranty	2 years
Order Information	500409 HDMI 2.0 Extender Kit (UPC: 627699004098)

HDMI 2.0 Extender Kit 500409

Typical Application:



Product Photos:

