

TEK SHEET

Hamburg, MI 48139
USA
sales@littlite.com
1-810-231-9373
littlite.com
littlitedirect.com

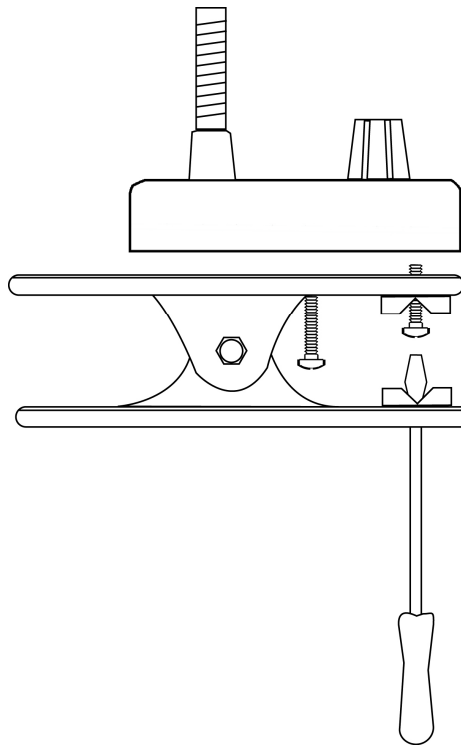
Littlite®

High Tension Clamp

The HTC clamp can be used to attach a Littlite® L-series lamp to a pipe, bar, table or panel edge. The lamp can be attached to the clamp in several ways:

- 1.) Positioned vertically on the clamp with the screws, washers and lock washers provided as shown in the drawing below.
- 2.) Temporarily attached vertically or horizontally to the lamp chassis with the (SM) snap mount.

Before adhering the snap mount to the clamp, be sure to wipe the clamp surface with an alcohol-moistened wipe and let dry thoroughly.



For more information contact Littlite at (888) 548-8548 or visit <http://www.littlite.com>

©2010 Littlite, LLC, All rights reserved. The term Littlite®, the Littlite logo and Lite print logo are registered trademarks of Littlite, LLC and are not to be used without permission.