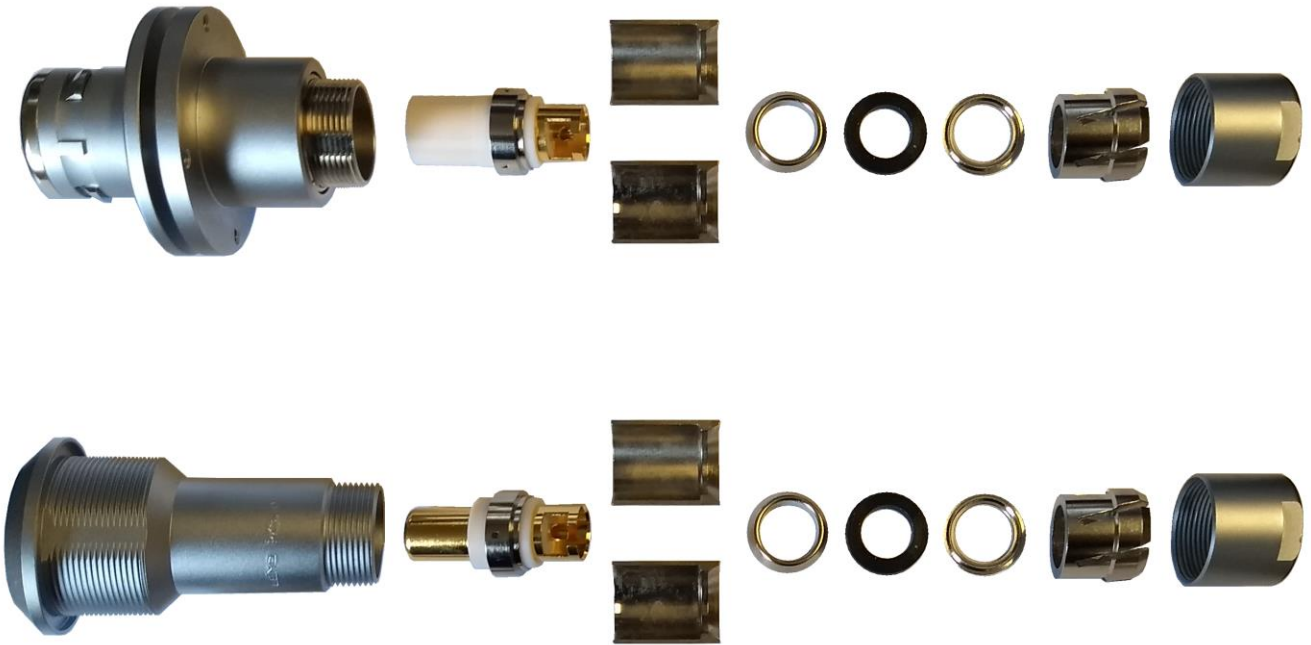
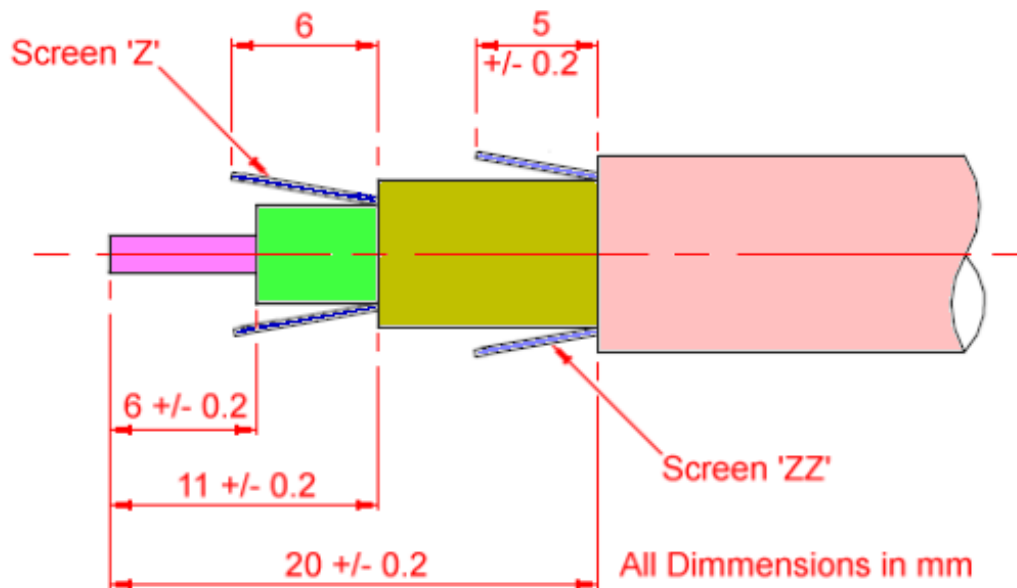


## LEMO TRIAX 4M PKG/FBB Cable Prep & Termination Information



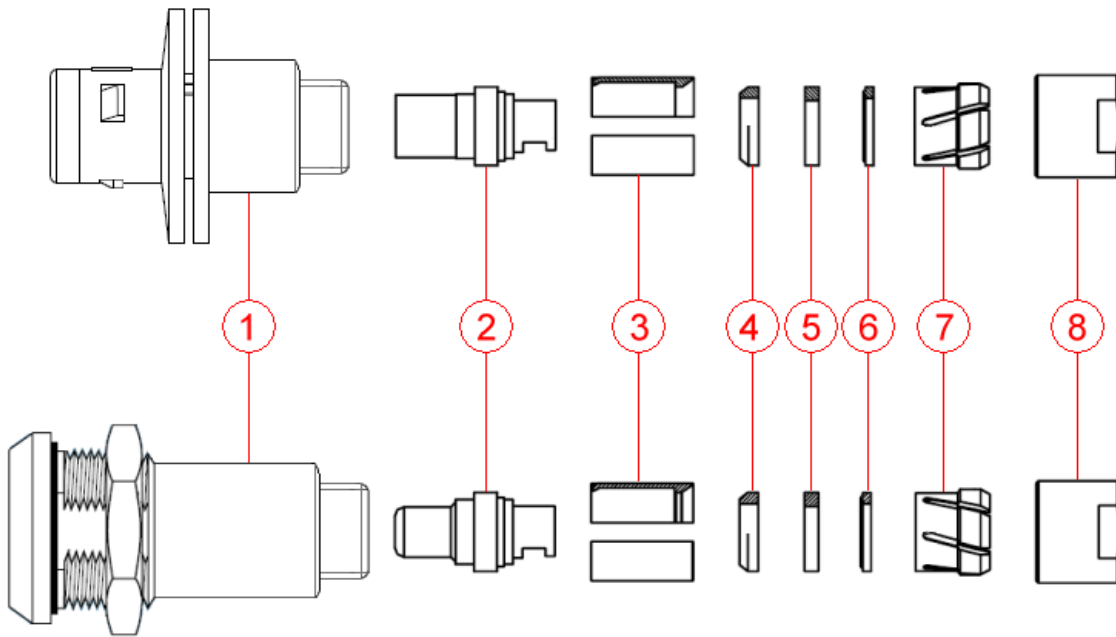
- |   |                     |
|---|---------------------|
| 48-226 - LEMO TRIAX 8.5 Cable panel plug    | (FBB.4M.650.CTLC90) |
| 48-179 - LEMO TRIAX 11.2 Cable panel plug   | (FBB.4M.650.CTLC11) |
| 48-146 - LEMO TRIAX 14 Cable panel plug     | (FBB.4M.650.CTLC15) |
| 48-225 - LEMO TRIAX 8.5 Cable panel socket  | (PKG.4M.650.CTAC90) |
| 48-178 - LEMO TRIAX 11.2 Cable panel socket | (PKG.4M.650.CTAC11) |
| 48-145 - LEMO TRIAX 14 Cable panel socket   | (PKG.4M.650.CTAC15) |

### Cable Preparation



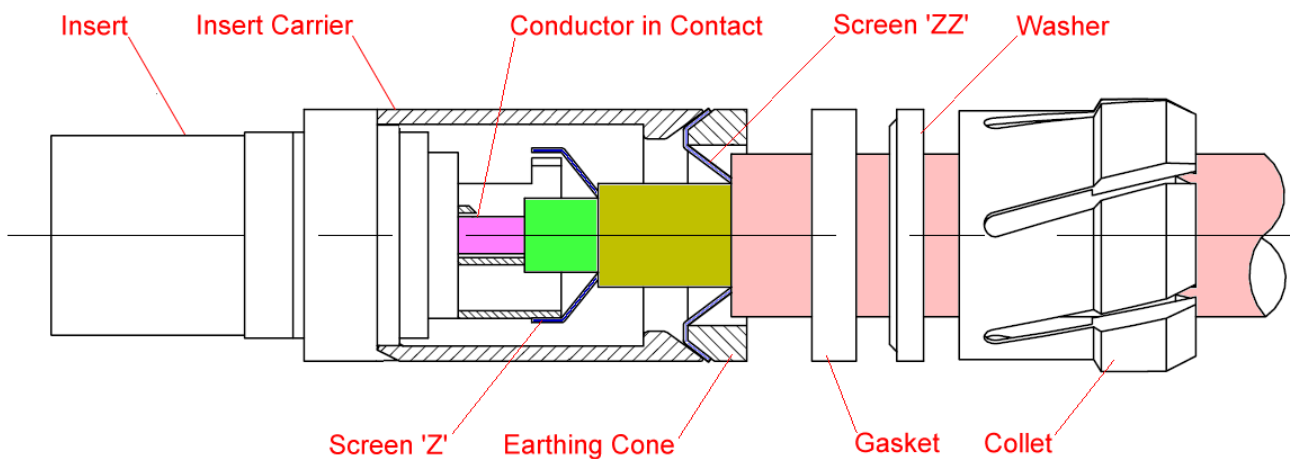
# LEMO TRIAX 4M PKG/FBB Cable Prep & Termination Information

## Parts Identification



- 1 FBB/PKG Panel shell
- 2 Male/Female - insert/sleeve/contact
- 3 Split insert carrier
- 4 Earthing cone
- 5 Gasket
- 6 Washer
- 7 Collet
- 8 Collet nut

## Assembly/Cable termination



- 1 Slide collet nut, collet, washer gasket and earthing cone onto cable.
- 2 Strip cable to dimensions on page 1 of this guide
- 3 Introduce conductor into contact and solder
- 4 Solder screen 'Z' over sleeve.
- 5 Fold screen 'ZZ' back over earthing cone.
- 6 Mount the two halves of the split insert carrier, (note one half is keyed).
- 7 Push insert assembly into connector housing locating on key.
- 8 Screw collet nut onto connector