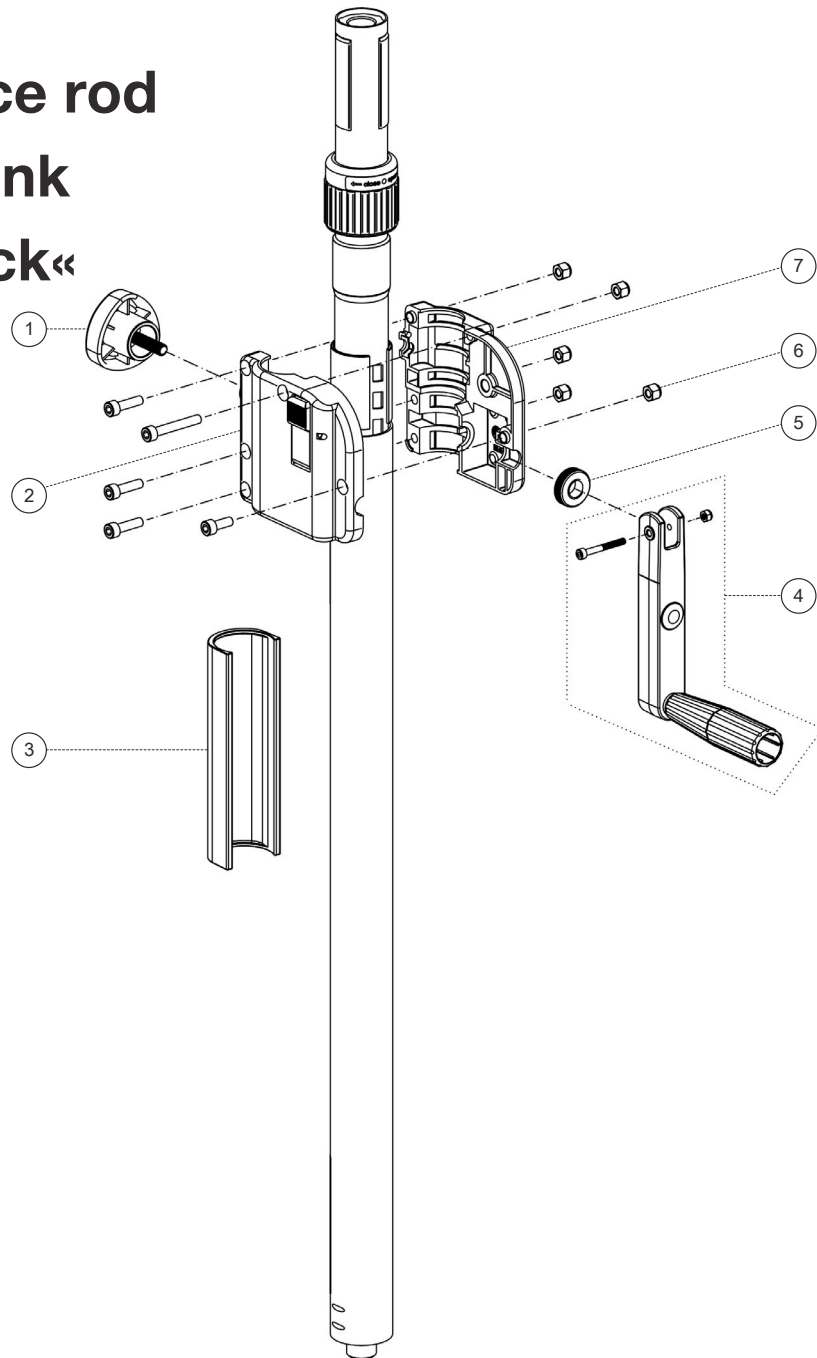


Spare parts list

# 21340 Distance rod with hand crank and »Ring Lock«

21340-000-55 - black

\*Rev 05



Position	Description	Article No.	Quantity
1	Clamping screw with logo M8 x 16/33 mm	<a href="#">01-82-763-55</a>	1
2	Housing half shell left complete	<a href="#">6-21300-13-55</a>	1
3	Clamp collar	01-86-931-55	1
4	Hand crank complete	<a href="#">21303-000-55</a>	1
5	Clamping disk	01-06-450-25	1
6	Screws/nuts M6 on crankcase	3-00-000-015	1
7	Housing half shell right	<a href="#">02-41-752-55</a>	1