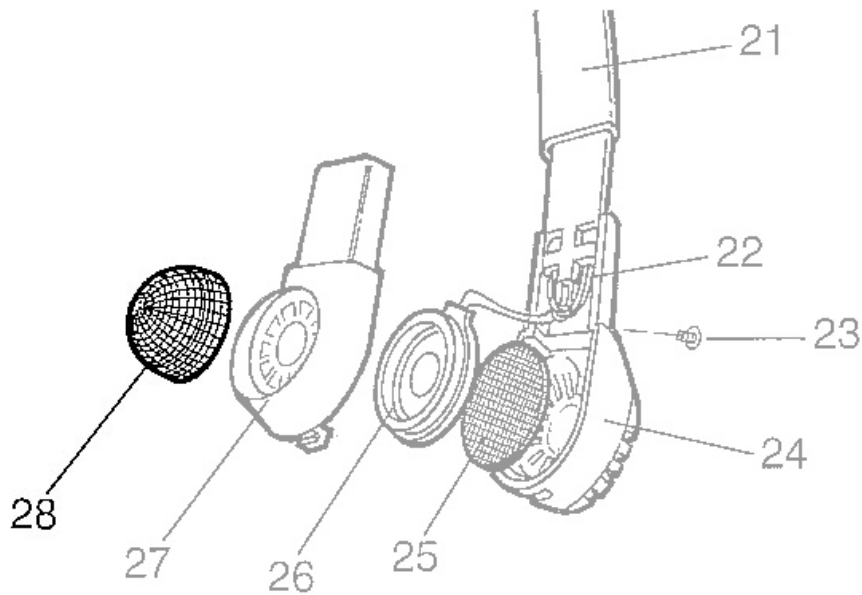


Foam windshield supplied with double sided self-adhesive pad to fix to upper mic housing for the Canford/Tecpro DMH300 series headsets.



Suitable for

- 27-310 - TECPRO SMH310 Single muff headset
- 27-320 - TECPRO DMH320 Dual muff headset
- 27-323 - TECPRO DMH320 Dual muff headset (XLR 5 pin connector)
- 54-310 - CANFORD SMH310U HEADSET Single ear
- 54-320 - CANFORD DMH320U HEADSET
- 54-321 - CANFORD DMH320RT HEADSET