



DNH

HEAD OFFICE, NORWAY
DNH AS

Phone..... + 47 35 98 56 00
Fax..... + 47 35 98 56 10
E-mail..... dnh@dnh.no
Web-Site..... www.dnh.no

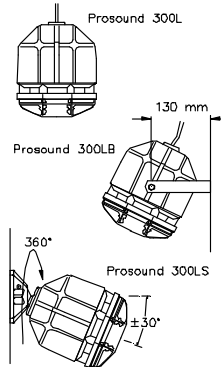
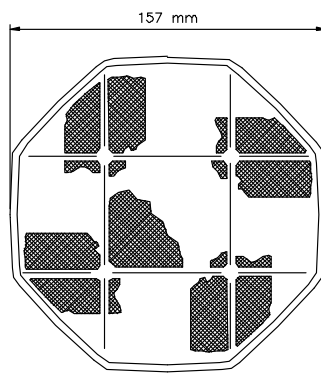
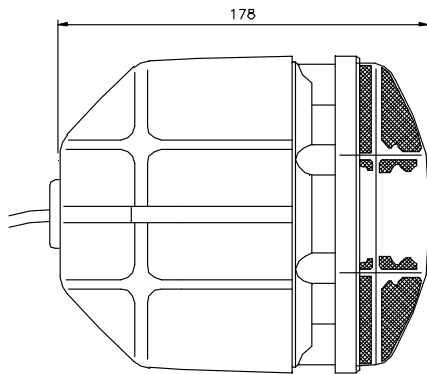
ENGLAND
DNH WW Ltd
Phone..... + 44 1908 275 000
Fax..... + 44 1908 275 100
E-mail..... dnh@dnh.co.uk

GERMANY
DNH GmbH
Phone... + 49 040 6569 30-0
Fax..... + 49 040 6569 30-30
E-mail..... dnh@dnh.de

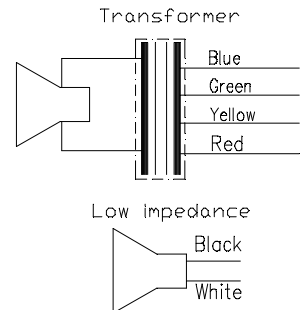
USA
DNH Speakers Inc
Phone..... + 1 484 494 5790
Fax..... + 1 484 494 5793
E-mail..... dnh@dnhspeakers.com

Prosound-300(T)

ISO 9001 CERTIFIED



Circuit diagram



100 Volt transformer Primary connections	
Red : Yellow	30,0 W
Yellow : Green	15,0 W
Green : Blue	7,5 W
Red : Green	5,0 W
Yellow : Blue	2,5 W
Red : Blue	1,5 W

Low impedance	
Black : White	8 Ω

Sound pressure levels at 1W/1m

SPL vs Freq



Specifications

Material / Color	Polyamid / Black or white (RAL 7035)
Mounting	Cable as pendant/Bracket/Swivel bracket
Termination	Cable, 2m
Weight (LT)	2,4 kg
IP-rating	54
Max. / min. amb. temp	90°C / -20°C
Rated / max. power	30 W / 50 W
SPL 1W/1m	85 dB
SPL rated power	100 dB
Effective freq. range	125 – 20000 Hz
Dispersion (-6dB) 1kHz / 4kHz	120° / 100°
Directivity factor, Q	
Options	Impedances, colors, labels

Installation, Operation and Maintenance Procedures

- Please specify the model when ordering(L, LB, LS).
- How to mount the loudspeaker:
 - Lamp-version (L): Ensure that the cable is fastened securely to the ceiling.
 - Bracket-version (LB): Screw the bracket to wall or ceiling with screws.
 - Swivel bracket version (LS): Read mounting instructions on carton box.
- To change the position of the loudspeaker:
 - Bracket version (LB): Adjust the bracket (by loosening / tightening the screws) as required.
 - Swivel bracket version (LS): Adjust the swivel base (by loosening / tightening the screws) as required.
- For optimum performance, always use the correct voltage / power and operate within the frequency limits as stated.
- This loudspeaker is supplied with a 2 year warranty against defective workmanship.

DNH reserves the right to alter specifications without notice

