



DNH

HEAD OFFICE, NORWAY
DNH AS

Phone..... + 47 35 98 56 00
Fax..... + 47 35 98 56 10
E-mail..... dnh@dnh.no
Web-Site..... www.dnh.no

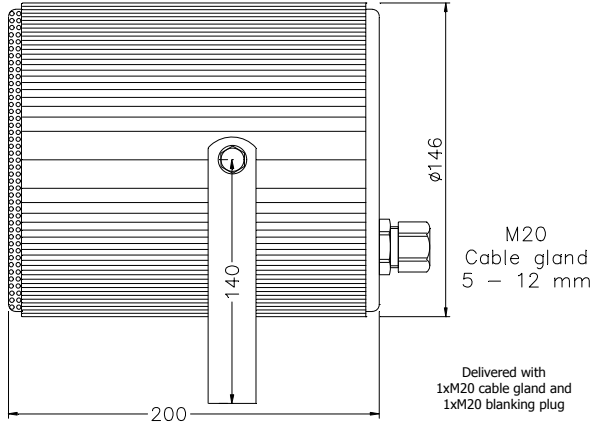
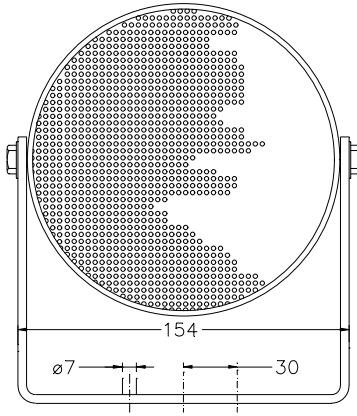
ENGLAND
DNH WW Ltd
Phone..... + 44 1908 275 000
Fax..... + 44 1908 275 100
E-mail..... dnh@dnh.co.uk

GERMANY
DNH GmbH
Phone... + 49 040 6569 30-0
Fax..... + 49 040 6569 30-30
E-mail..... dnh@dnh.de

USA
DNH Speakers Inc
Phone..... + 1 484 494 5790
Fax..... + 1 484 494 5793
E-mail..... dnh@dnhspeakers.com

CAP-15-54 (T)

ISO 9001 CERTIFIED



Tested acc. To:
EN 54-24:2008
Type: B
Manufactured by:
DNH A/S
Kragerø, Norway
17 1438-CPR-0505

100 Volt transformer Primary connections		
White : Red	100 V	
Secondary nominal tapings		
C : 1	15,0 W	770 Ω
C : 2	7,5 W	1250 Ω
C : 3	4,0 W	1400 Ω

Sound pressure levels at 1W/1m P-5/15 PS



Specifications acc. testing CNBOP / DNH

Material / Color	Aluminum anodized
Mounting	1 aluminum bracket
Termination	Ceramic terminal
Weight w/transformer	2,2 Kg
IP-rating	33C / 54
Working temp	70°C to -25°C / 90°C to -40°C
Rated power	15 W
Sensitivity 1W/4m	77 dB
SPL 15W/4m	88 dB
Freq. range	100Hz – 10000Hz
Measurement environment	Free-field

Maximum SPL at 15W/4M are the SPL values at 1W/4M increased with 11dB for every 1/3 octave pink noise level.

Horizontal / vertical coverage angles

1 Oct. Pink noise	500Hz	360°
1 Oct. Pink noise	1KHz	120°
1 Oct. Pink noise	2KHz	85°
1 Oct. Pink noise	4KHz	55°

Sensitivity 100Hz-10KHz 1/3 Oct. Pink noise 1W/4 Meters

100Hz:	43 dB	125Hz:	52 dB	160Hz:	62 dB
200Hz:	67 dB	250Hz:	67 dB	315Hz:	65 dB
400Hz:	61 dB	500Hz:	61 dB	630Hz:	61 dB
800Hz:	61 dB	1KHz:	65 dB	1250Hz:	68 dB
1600Hz:	68 dB	2KHz:	66 dB	2500Hz:	66 dB
3150Hz:	68 dB	4KHz:	69 dB	5KHz:	65 dB
6300Hz:	61 dB	8KHz:	63 dB	10KHz:	61 dB

Installation, Operation and Maintenance Procedures

- Fasten loudspeaker with 2 - 3 screws through bracket.
- Remove lid by four screws, lead cable through the cable gland and connect to terminal.
- Select required tapping in the transformer.
- Screw lid back into place by four screws with a torque of 1 - 2 Nm to assure the IP rating.
- For optimum performance, always use the correct voltage / power and operate within the frequency limits as stated.
- Do not open loudspeaker when energized.
- This loudspeaker is supplied with a two years warranty against defective workmanship.

DNH reserves the right to alter specifications without notice

