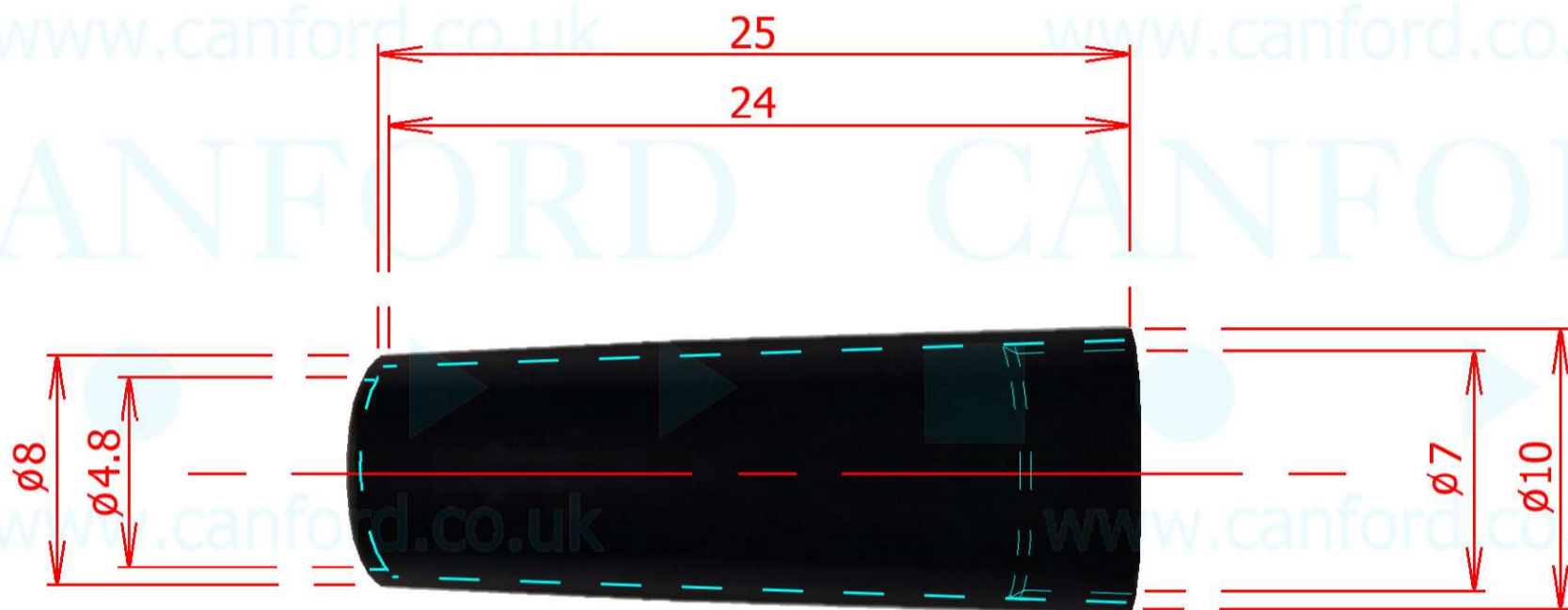
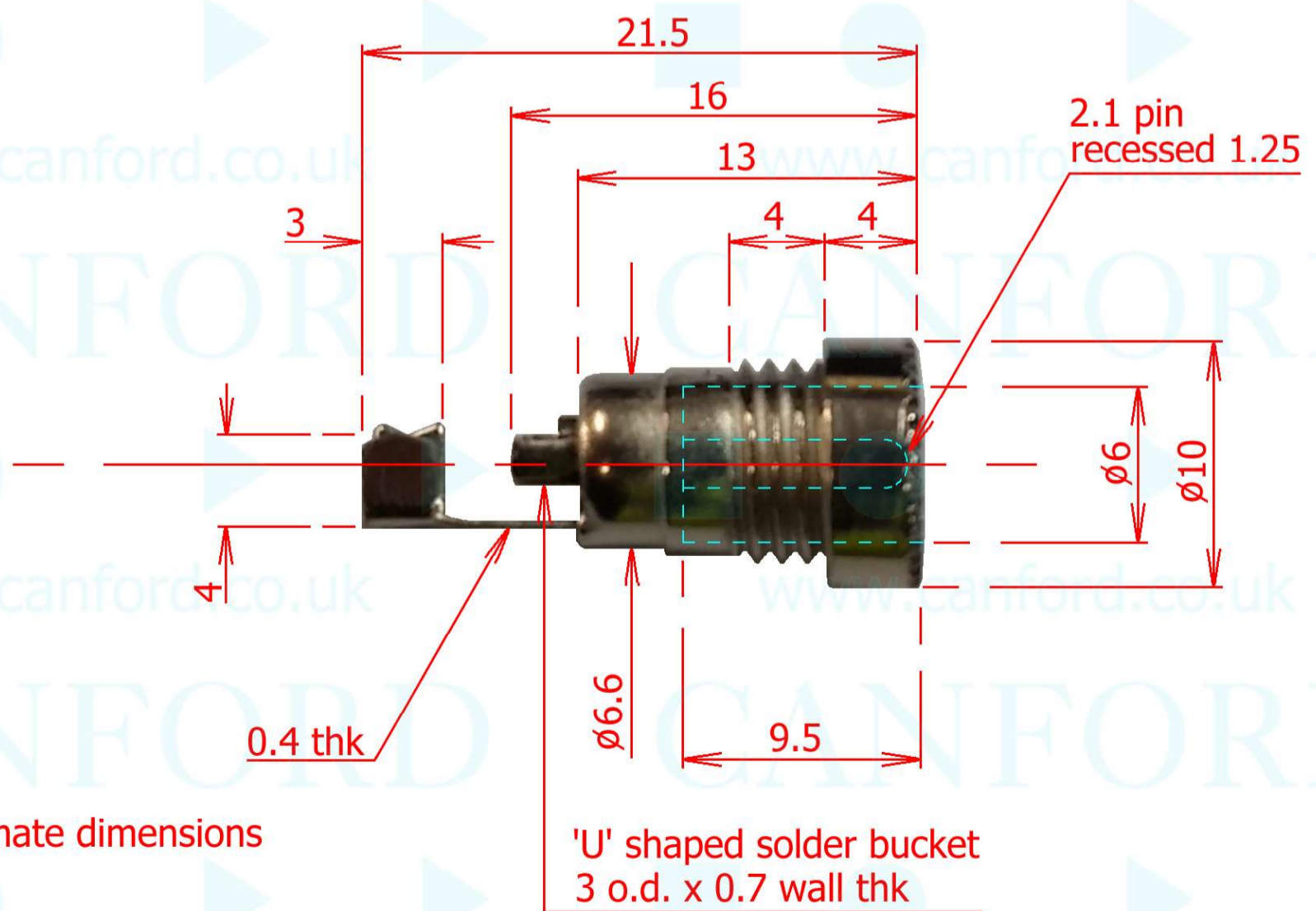




ASSEMBLY



GLAND/COVER



Approximate dimensions  
N.T.S.  
All Dims mm

'U' shaped solder bucket  
3 o.d. x 0.7 wall thk

CONTACT