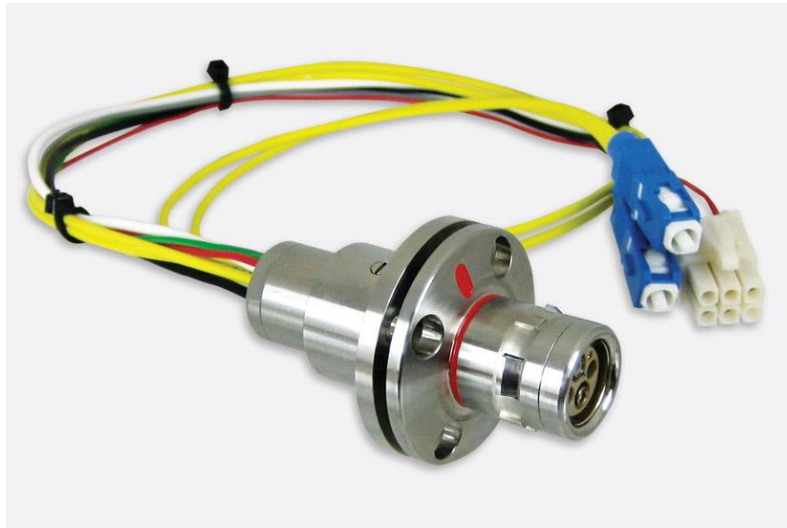


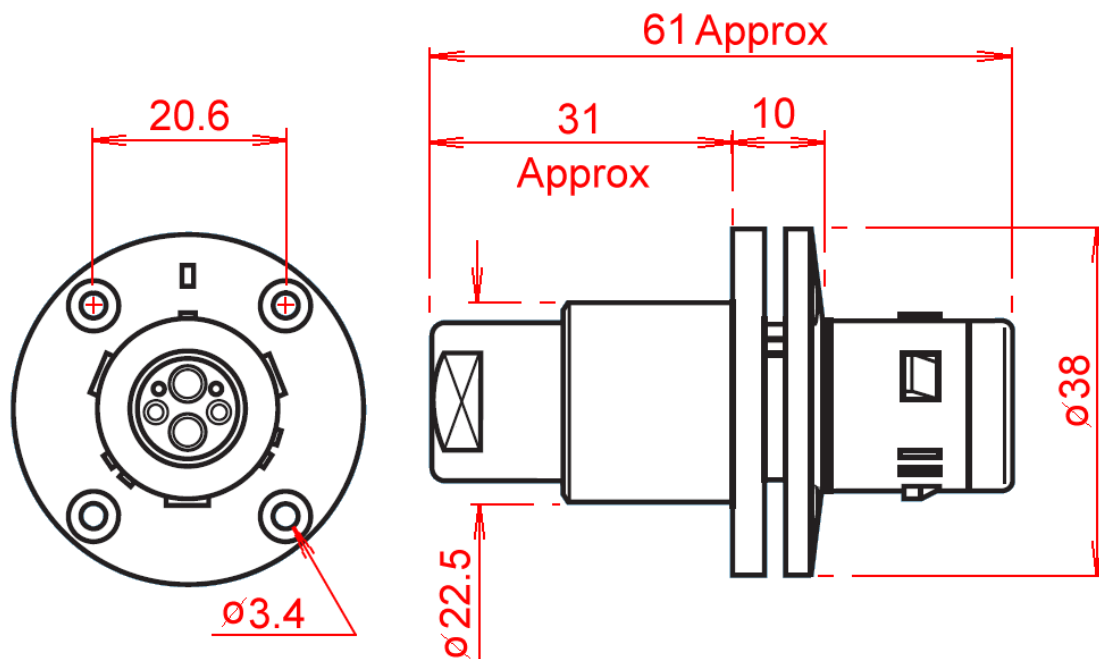
CANFORD SMPTE311M HYBRID FIBRE LEMO FXW PANEL CONNECTOR BREAKOUT ASSEMBLIES



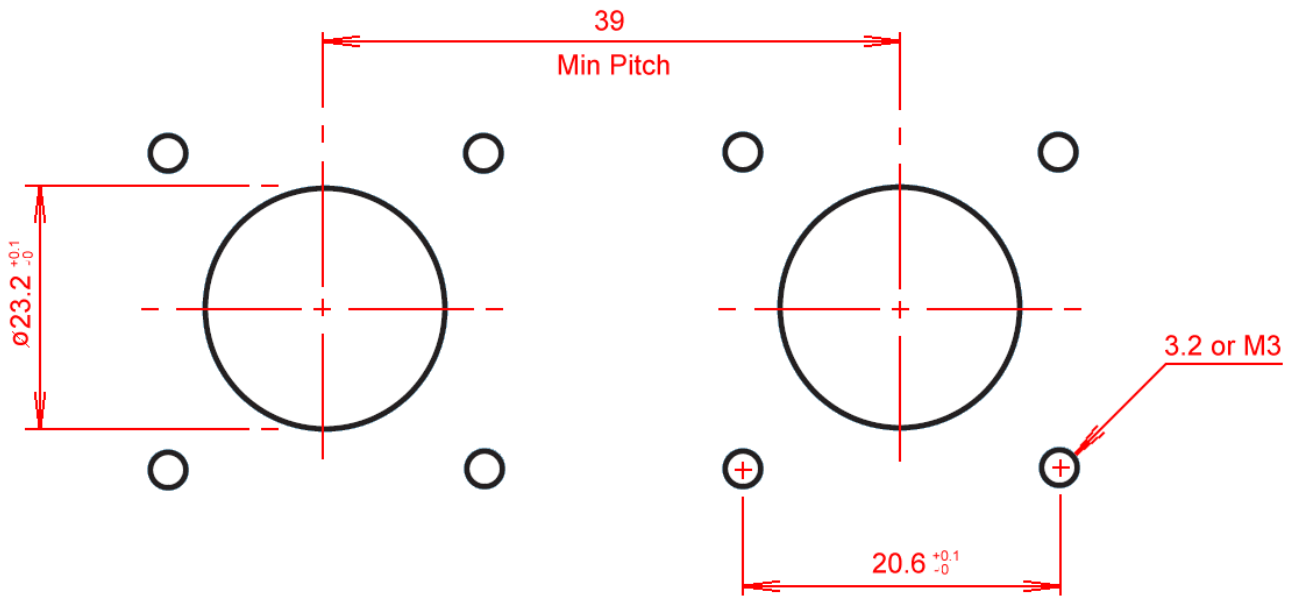
- 50-1121 CANFORD SMPTE311 Lemo 3K.93C FXW, unterminated fibre & electrical tails, 500mm
- 50-1122 CANFORD SMPTE311 Lemo 3K.93C FXW, SC fibre & 6 way electrical plug terminated tails, 500mm
- 50-1123 CANFORD SMPTE311 Lemo 3K.93C FXW, LC fibre terminated & bare wire tails, 500mm
- 50-1124 CANFORD SMPTE311 Lemo 3K.93C FXW, LC fibre & 6 way electrical plug terminated tails, 500mm
- 50-1125 CANFORD SMPTE311 Lemo 3K.93C FXW, SC fibre terminated & bare wire tails, 500mm
- 50-1126 CANFORD SMPTE311 Lemo 3K.93C FXW, SC fibre & 6 way electrical plug terminated tails, 250mm
- 50-1127 CANFORD SMPTE311 Lemo 3K.93C FXW, LC fibre & 6 way electrical plug terminated tails, 250mm
- 50-1128 CANFORD SMPTE311 Lemo 3K.93C FXW, ST fibre & 6 way electrical plug terminated tails, 250mm

SMPTE304 standard hybrid fibre, HD camera breakout assemblies using Lemo FXW panel plugs offered with 500mm and 250mm tail lengths and various termination options - see product descriptions above. The Lemo 3K.93C stainless steel connectors incorporate the highly-reliable Lemo push-pull latching system and are suitable for up to 20,000 mating cycles. With correct care and cleaning, the fibre contacts are also suitable for this level of endurance. Manufactured by Canford's fibre termination facility which is certified by Lemo for termination of the Lemo SMPTE304 connectors.

FXW Dimensions



FXW Panel Cut Out



Fibre Couplers:

- 46-4229 SC SM SIMPLEX PANEL COUPLER, Blue (also fits LC duplex panel cutout)
- 46-4225 LC SM DUPLEX PANEL COUPLER (also fits SC simplex panel cutout)
- 46-4204 ST SM PANEL COUPLER

Mate N Lok 6 way electrical mating connectors and tooling:

- One mating connector would comprise
- 1x MATE-N-LOK 172160-1, 6 way housing
 - 4x AMP 171638-1 Contacts
 - 2x AMP 770985-1 Contacts

- 68-0987 MATE-N-LOK 172160-1, 6 way Receptacle Connector Housing, free or panel mount
- 46-4218 AMP 171638-1 Contact, MATE-N-LOK Series, pin, crimp, brass 16-20 AWG (pack of 20)
- 46-4219 AMP 770985-1 Contact, MATE-N-LOK Series, pin, crimp, brass 22-26 AWG (pack of 20)
- 55-839 AMP MATE-N-LOK CRIMP TOOL KIT