

Plastic Surface Boxes



49-519



49-520

49-519 PLASTIC SURFACE BOX 1 gang

49-520 PLASTIC SURFACE BOX 2 gang

Standard electrical surface mount white plastic back boxes. Suitable for mounting Canford connector plates as well as typical electrical installation usage.

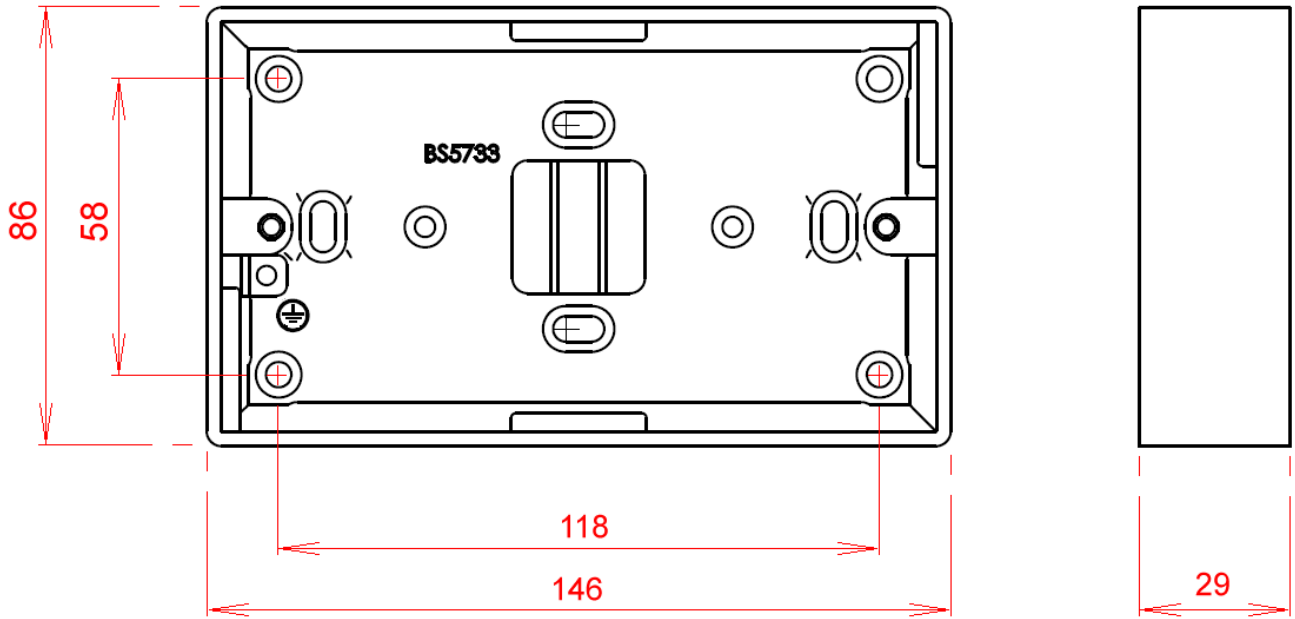
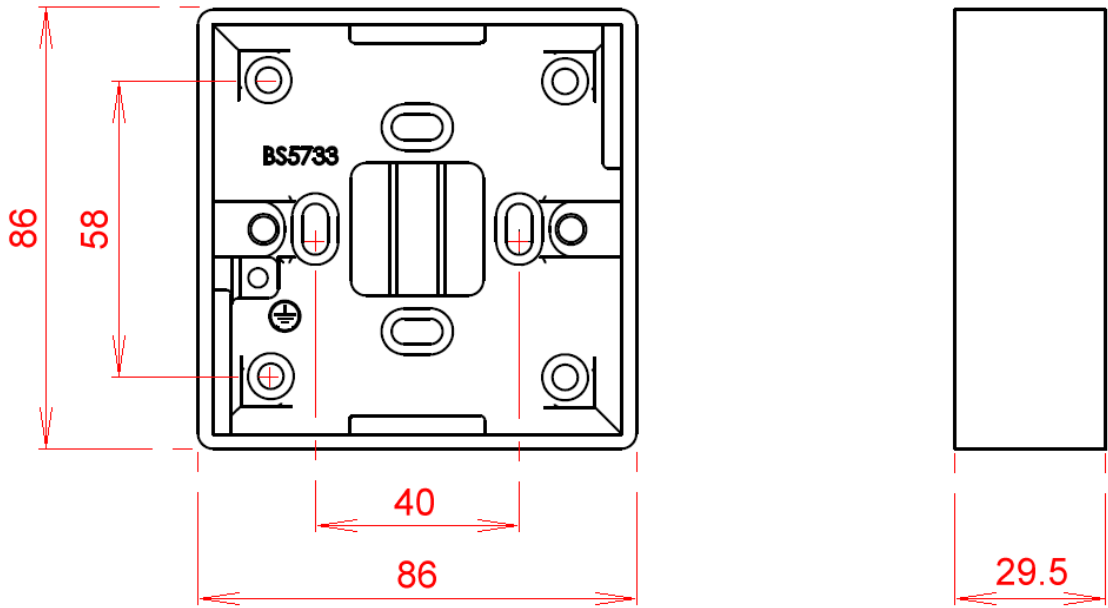
Compliance	BS 5733: 1995 CE Compliance: 93/68/EEC
Material	Urea
Installation	Knock outs in base & sides, accepts mini trunking adaptors
Fixing Centres	49-519 1 gang 60.3mm 49-520 2 gang 120.6mm
Environmental	Packaging Waste: Cardboard 0.0013kg / 125T/125T B Flute RoHS Compliant ref: 2002/95/EC The products manufactured & otherwise supplied do not have any perceived or known hazardous materials or by-products that would be deemed hazardous to the environment.

Plastic Surface Boxes

Dimensions

All dims mm

49-519 PLASTIC SURFACE BOX 1 gang



49-520 PLASTIC SURFACE BOX 2 gang