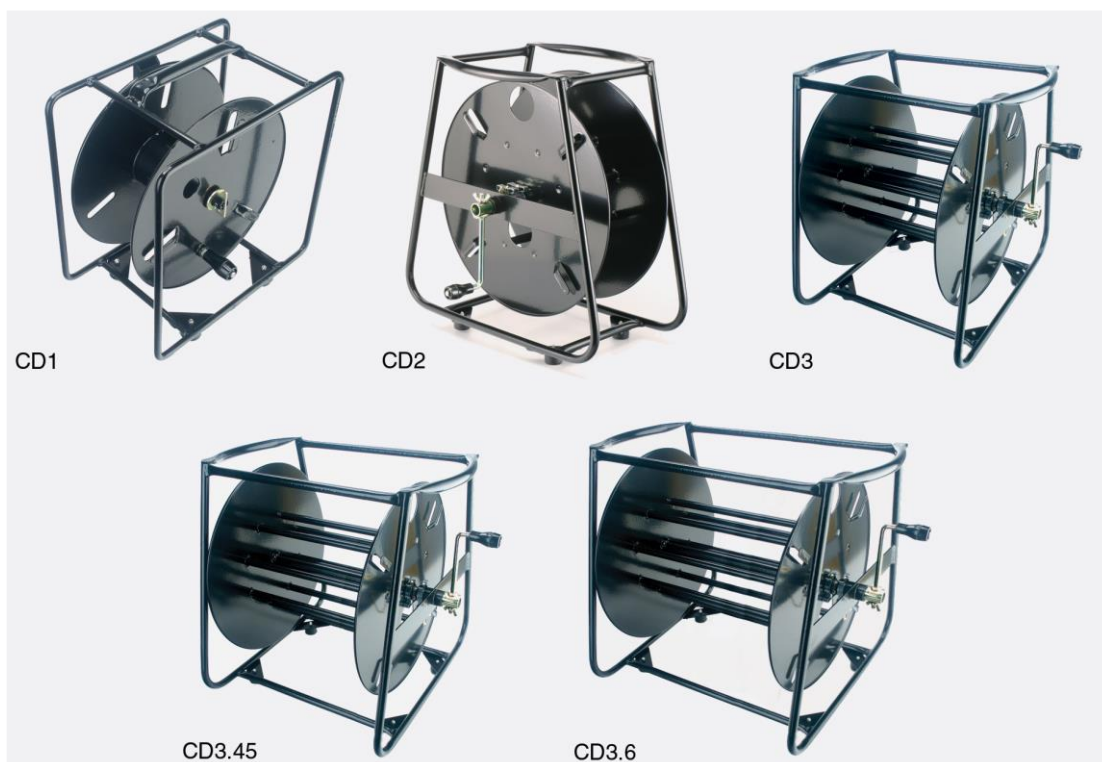


## CANFORD CD 1,2,3 SERIES CABLE DRUMS



- 39-011 CANFORD CABLE DRUM CD1
- 39-021 CANFORD CABLE DRUM CD2
- 39-031 CANFORD CABLE DRUM CD3
- 39-035 CANFORD CABLE DRUM CD3.45
- 39-036 CANFORD CABLE DRUM CD3.6

Steel cable drums with black nylon dipped finish. Spare drums, frames and various spare accessories are also available. Units may be stacked up to 3 high to save floor space.

**CD1** Handle is integral with the drum, and the frame is fitted with an unbreakable, spring loaded, vibration-resistant drum-retaining latch.

**CD2 and CD3 series** (CD3, CD3.45, CD3.6). Larger frame series, with a variety of drum capacities. The winding handle is a separate unit which rotates through 180 degrees for compact storage. A chained drum-locating pin prevents drum rotation during transit.

Available to special order with a reinforced frame, for heavy duty industrial cable applications.

- 39-020 CANFORD CABLE DRUM CD2HD
- 39-030 CANFORD CABLE DRUM CD3HD

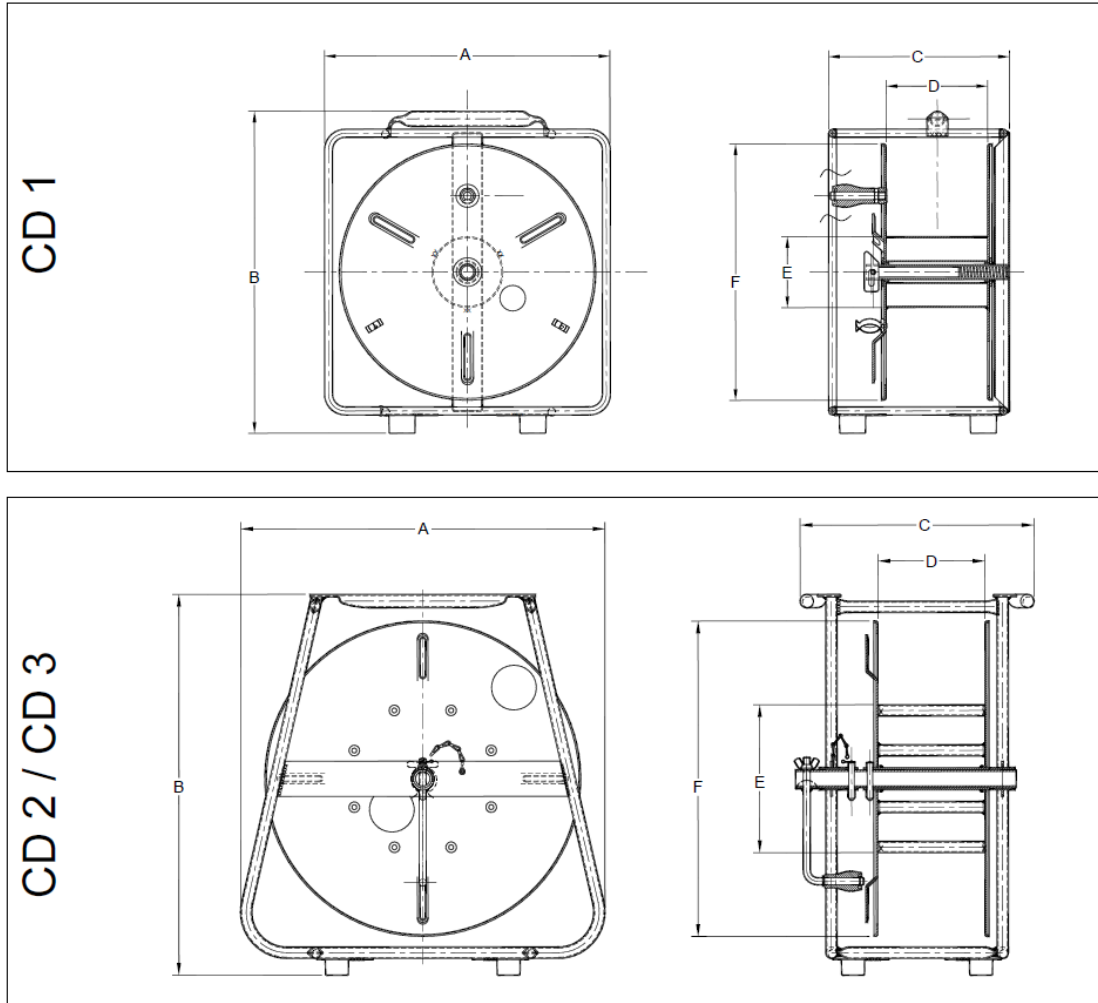
3CD series is also available supplied fitted with a set of four castors, 2x braked and 2x un-braked, on threaded M10 steel studs. These mount to the base of the Cable Drum Frame and are secured with the supplied M10 nuts. Each castor has 360 degree turning, 100kg of load capacity and is 80mm high.

- 39-0401 CANFORD CABLE DRUM CD3C With castors
- 39-0402 CANFORD CABLE DRUM CD3.45C With castors
- 39-0403 CANFORD CABLE DRUM CD3.6C With castors

Listed spare parts at the end of this document.

# CANFORD CD 1,2,3 SERIES CABLE DRUMS

## Dimensions (mm)



Cable Drum	Dim A Frame Width	Dim B Frame Height	Dim C Frame Depth	Dim D Hub Width	Dim E Hub Dia.	Dim F Flange Dia.	Weight (kg)
CD1	360	400	230	125	90	320	6.25
CD2	520	540	350	150	230	450	9.75
CD3	520	540	500	300	230	450	11.25
CD3.45	520	540	650	450	230	450	13.00
CD3.6	520	540	800	600	230	450	14.50

### Cable Capacity

Nominal cable capacity in metres (approx. 75% of the theoretical maximum).

Check the cable minimum bend radius is suitable. Refer to Drum Hub Dim. E above.

Cable Drum	Cable Dia. 6mm	Cable Dia. 8mm	Cable Dia. 10mm	Cable Dia. 12mm	Cable Dia. 16mm	Cable Dia. 20mm
CD1	150	80	50	30	-	-
CD2	300	150	100	60	30	15
CD3	600	300	200	140	60	50
CD3.45	1000	500	300	200	100	60
CD3.6	1300	700	400	300	140	90

## CANFORD CD 1,2,3 SERIES CABLE DRUMS

### CD 1/2/3 series spares

- 39-012 CANFORD CABLE DRUM CD1 Spare drum
- 39-013 CANFORD CABLE DRUM CD1 Spare handle
- 39-014 CANFORD CABLE DRUM CD1 Spare frame
- 39-018 CANFORD CABLE DRUM CD1 Spare retaining latch, pin and spring
- 39-019 CANFORD CABLE DRUM CD1/CD2/CD3 Spare rubber foot and bolt
- 39-022 CANFORD CABLE DRUM CD2 Spare drum
- 39-024 CANFORD CABLE DRUM CD2 Spare frame
- 39-025 CANFORD CABLE DRUM CD2/CD3 Spare locking pin and chain
- 39-026 CANFORD CABLE DRUM CD2/CD3 Spare drive pin for handle
- 39-032 CANFORD CABLE DRUM CD3 Spare drum
- 39-033 CANFORD CABLE DRUM CD2/3 Spare handle assembly
- 39-034 CANFORD CABLE DRUM CD3 Spare frame
- 39-037 CANFORD CABLE DRUM CD3S/CD3.45 Spare drum
- 39-038 CANFORD CABLE DRUM CD3X/CD3.6 Spare drum