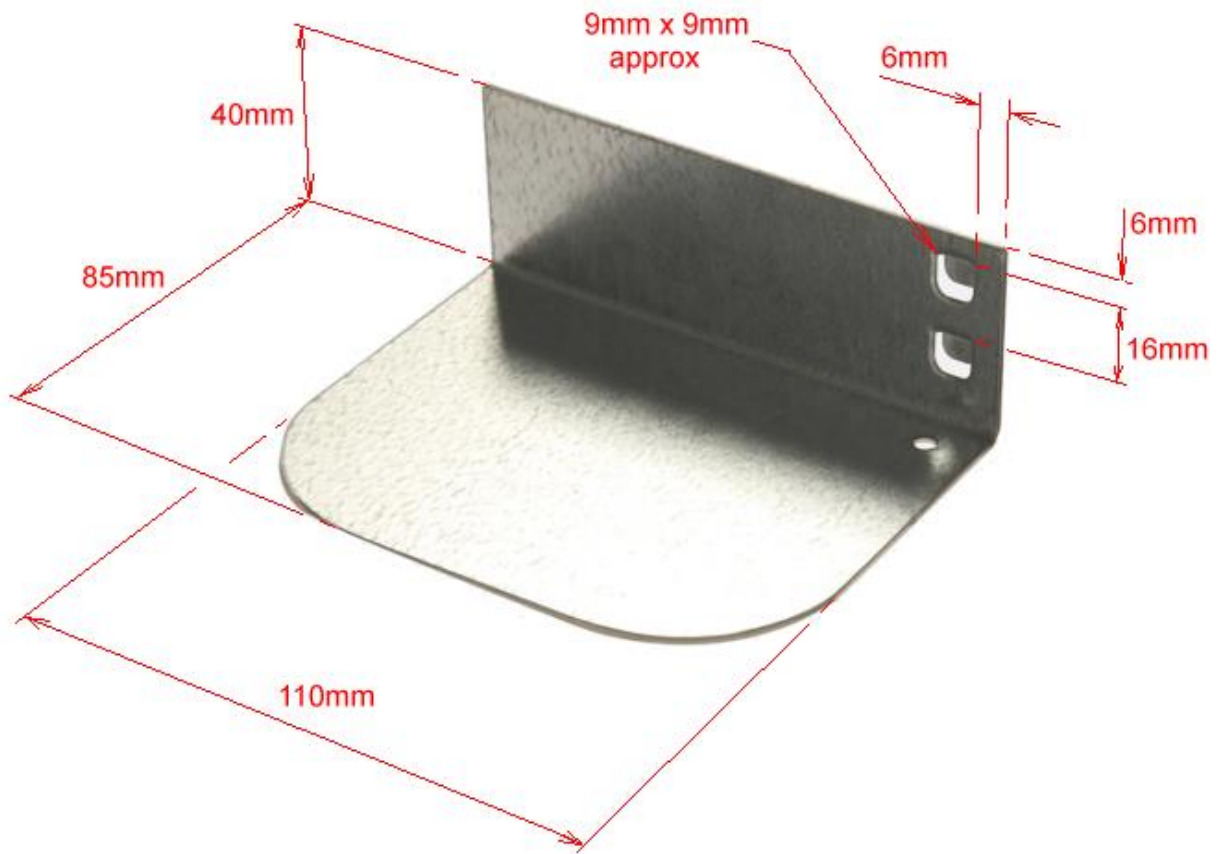


15-870 CANFORD MINI EQUIPMENT SUPPORT (pair)



Right bracket illustrated. Left bracket opposite hand.

1.5mm thick galvanised mild steel brackets.

Short supports fix to the inside face of the vertical support profiles of a rack. They clip into the square punched apertures to provide support at either the front or rear of the rack.