

CANFORD RACK DRAWER Style A



- 12-7281 CANFORD RACK DRAWER 1U Style A, black
- 12-7283 CANFORD RACK DRAWER 2U Style A, black
- 12-7285 CANFORD RACK DRAWER 3U Style A, black
- 12-7280 CANFORD RACK DRAWER 1U Style A, grey
- 12-7282 CANFORD RACK DRAWER 2U Style A, grey
- 12-7284 CANFORD RACK DRAWER 3U Style A, grey

Suitable for most 19-inch racks and cabinets, these drawer units provide a secure storage compartment. They are available in two colours and three heights.

A welded steel drawer slides on telescopic slides mounted within a sleeve. When closed, the front of the drawer is flush with the rack-mounting brackets. A handle and cylinder lock are provided on the drawer-front.

It has front and rear mounting angles, adjustable between 400 – 570mm with a drawer depth of 400mm.

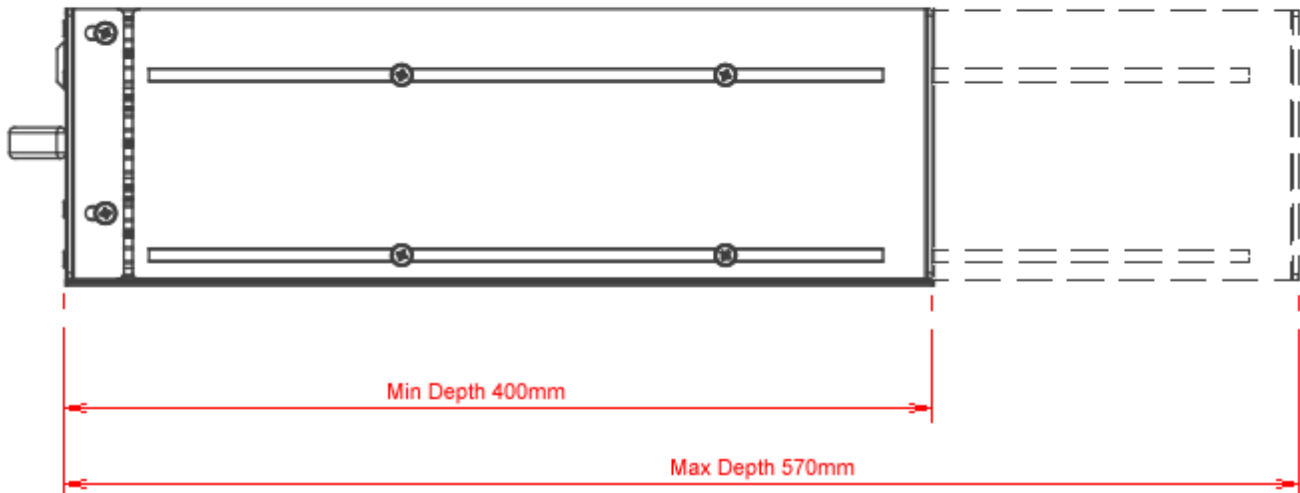
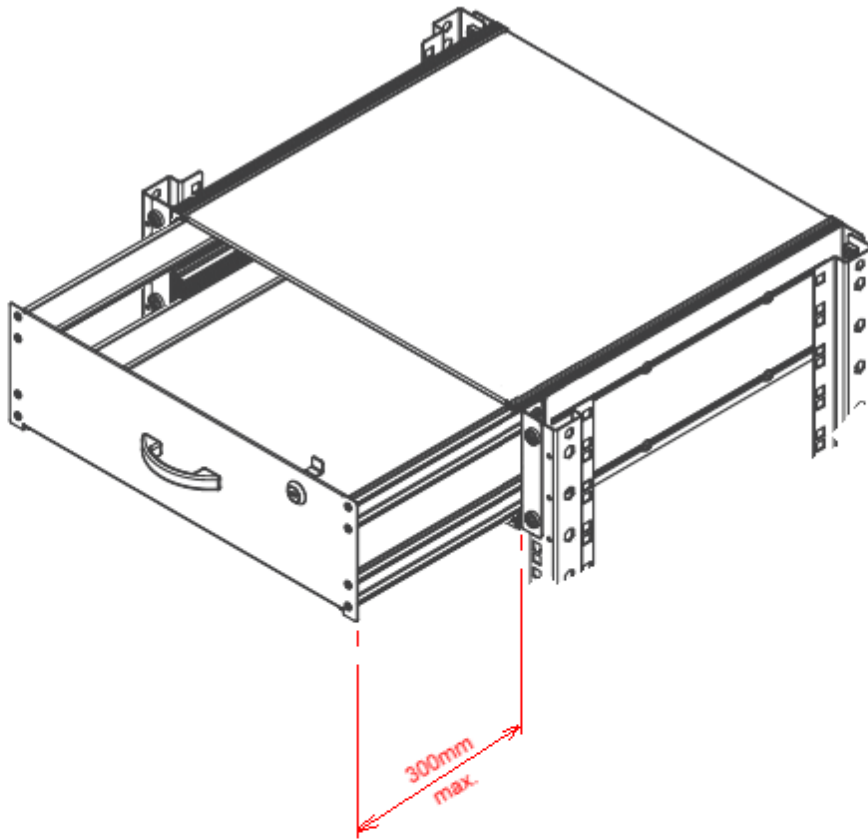
Finish: Light grey, RAL 7035, or black, RAL 9004, powder coat.

Load capacity: 50 kg Max

Dimensions:	Width	Height	Sleeve Depth
	19" - 482mm	1U - 44mm	405mm
	19" - 482mm	2U - 88mm	405mm
	19" - 482mm	3U - 130mm	405mm

CANFORD RACK DRAWER Style A

Open Drawer & Rear Bracket Extension Dimensions:



CANFORD RACK DRAWER Style A

Package Contents: (1U model illustrated)



Sliding shelf complete with lock and rear bracket extensions.

Pair of rear bracket long extensions, length approx. 450mm, (fitted extensions 280mm approx).

Key

Handle with 2 mounting screws.

Pack of M6 rack bolts, cage nuts & washers.



Rear view showing cable exit grommets

45mm
approx.

8mm I.D.

Front view drawer open