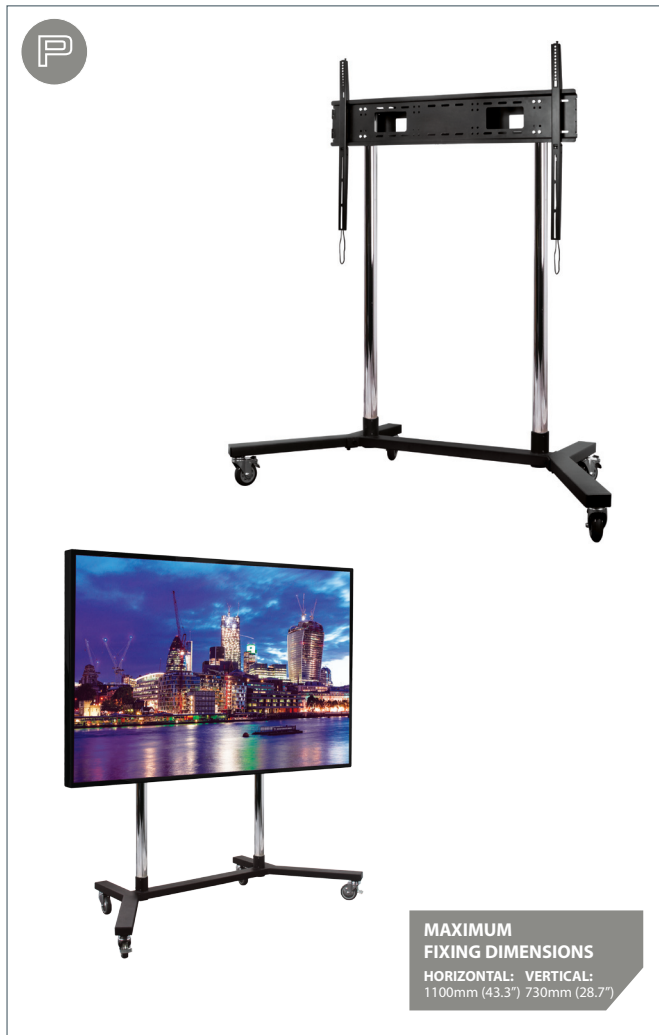


## Extra-Large Flat Screen Display Trolley / Stand

For more information please visit [www.btechavmounts.com/BT8506](http://www.btechavmounts.com/BT8506)

BT8506

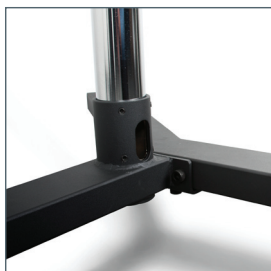


### BT8506

#### Extra-Large Flat Screen Display Trolley / Stand

Designed for extra-large screens up to 130kg (287lbs)

- Universal screen interface fits screens with VESA® and non-VESA® mounting patterns up to:  
**H:** 1100mm (43.3") x **V:** 730mm (28.7")
- Ideal for screens larger than 65" (165cm) and heavy duty touch screen displays
- Base disassembles into three pieces for easy transportation
- Interface features optional storage area for cables and accessories. Storage dimensions:  
**W:** 720mm (28.2") x **H:** 160mm (6.2") x **D:** 90mm (3.5")
- Adjustment screws allow screen to be levelled once mounted
- Simple 'hook-on' installation with all mounting hardware included
- Non-marking 4" locking/braked castors included
- Also supplied with optional screw-in levelling feet
- 1.5m Ø60mm poles supplied with 5 cable management holes
- Trolley Dimensions (including wheels):  
**W:** 1650mm (64.9") x **H:** 1670mm (65.7") x **D:** 800mm (31.5")
- Colours Available: Black Base with Chrome Poles



Base disassembles into three pieces for easy transportation



Interface features storage option area for cables and accessories.



Braked castors supplied and levelling feet supplied

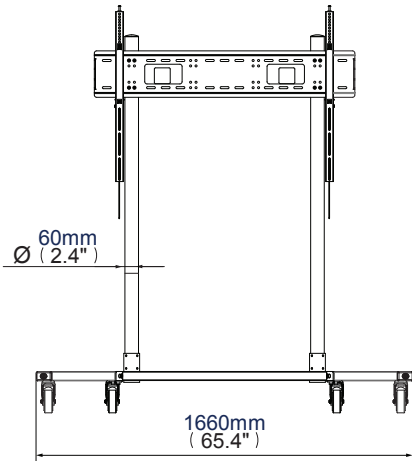


Adjustment screws allow screen to be levelled once mounted

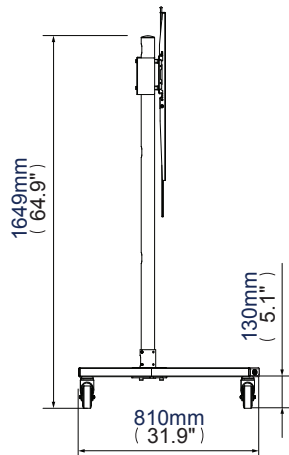
### Extra-Large Flat Screen Display Trolley / Stand

For more information please visit [www.btechavmounts.com/BT8506](http://www.btechavmounts.com/BT8506)

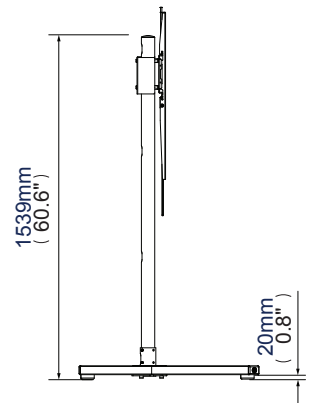
**BT8506**



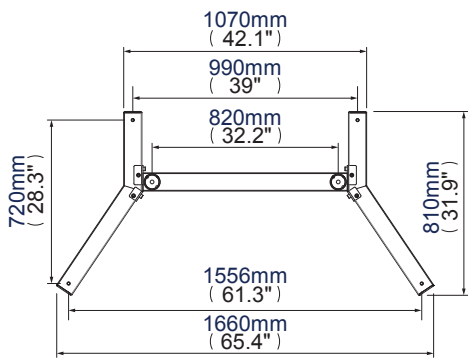
**Front View  
With Castors**



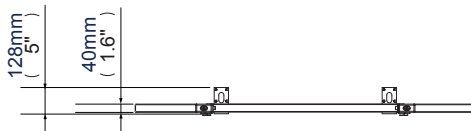
**Side View  
With Castors**



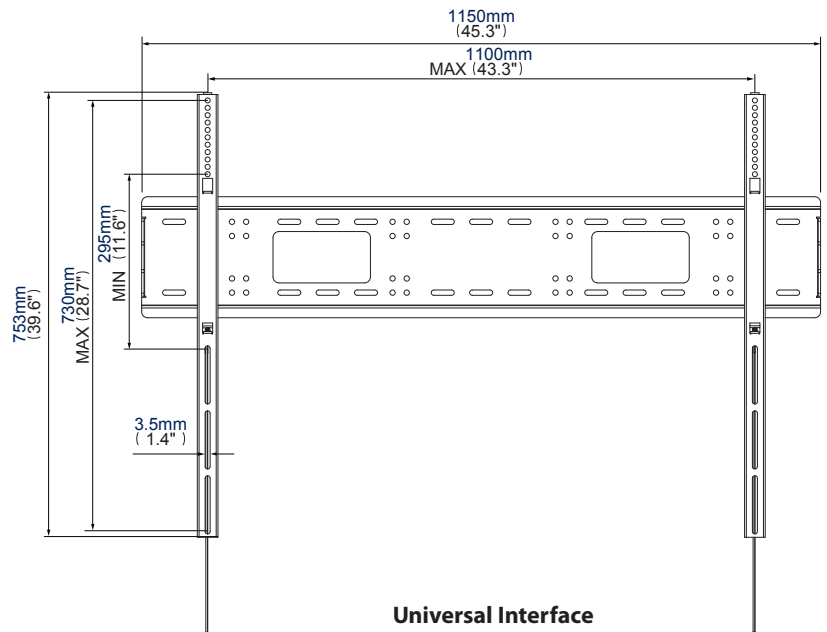
**Side View  
With Levelling Feet**



**Trolley Base - Top View**



**Trolley Base - Front View**



**Universal Interface**

Colour:	Order Ref:	EAN Code:	MC Qty:	IC Qty:	Master Carton Weight:	Master Carton Cube:
Black Base & Chrome Poles	BT8506/BC	5019318759451	1/1/1	0/0/0	17kg (37lbs) / 14.5kg (32lbs) / 9kg (19.9kg)	0.082cbm (2.91 cuft) / 0.082cbm (2.91 cuft) / 0.017cbm (0.6cuft)

*\*Please note: this product is packed into 3 boxes*

**This information is intended as a guide only and reflects the current specification at the time of print.  
B-Tech accepts no liability for the accuracy of the information contained in this document.**