



B-TECH AV MOUNTS™

ADJUSTABLE
 CEILING DROP

BT8420

ADJUSTABLE DROP FLAT SCREEN CEILING MOUNT

Designed to ceiling mount screens up to 25kg, the BT8420 features an adjustable drop of 625mm - 950mm in increments of 25mm. The mount is suitable for screens with VESA patterns up to 200mm x 200mm. Locking screws are included to help prevent unauthorised removal of the screen. Cover plates are supplied for a neat and tidy installation.

SPECIFICATION

Recommended screen size	up to 47"
Max Load	25kg
VESA® compatibility	up to 200 x 200
Screen tilt	+ / - 40°
Ceiling drop	Min. 600mm - Max. 1000mm*
Colour	Black

*From the ceiling to the centre of the mount

FEATURES

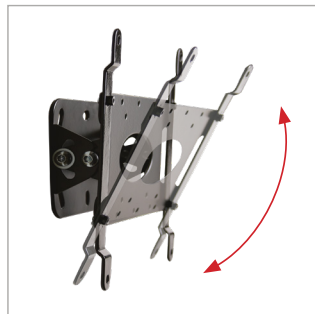
- Fits screens with VESA mounting patterns: 75 x 75mm, 100 x 100mm, 200 x 100mm and 200 x 200mm
- Easy tilt adjustment
- Tool-less adjustable ceiling drop in increments of 25mm
- Includes security locking screws and Allen key to prevent unauthorised removal of the screen
- Suitable for landscape or portrait mounting
- Integrated cable management
- Simple 'hook-on' installation with all mounting hardware included



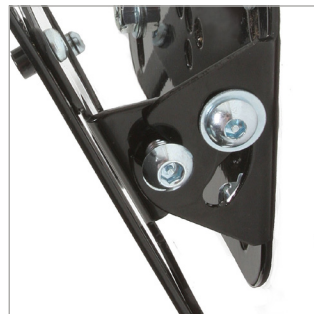
47" 120cm | VESA 200 | 25KG | 40° 40° | [Screen Orientation Icon]



Quick and easy 'push button' height adjustment



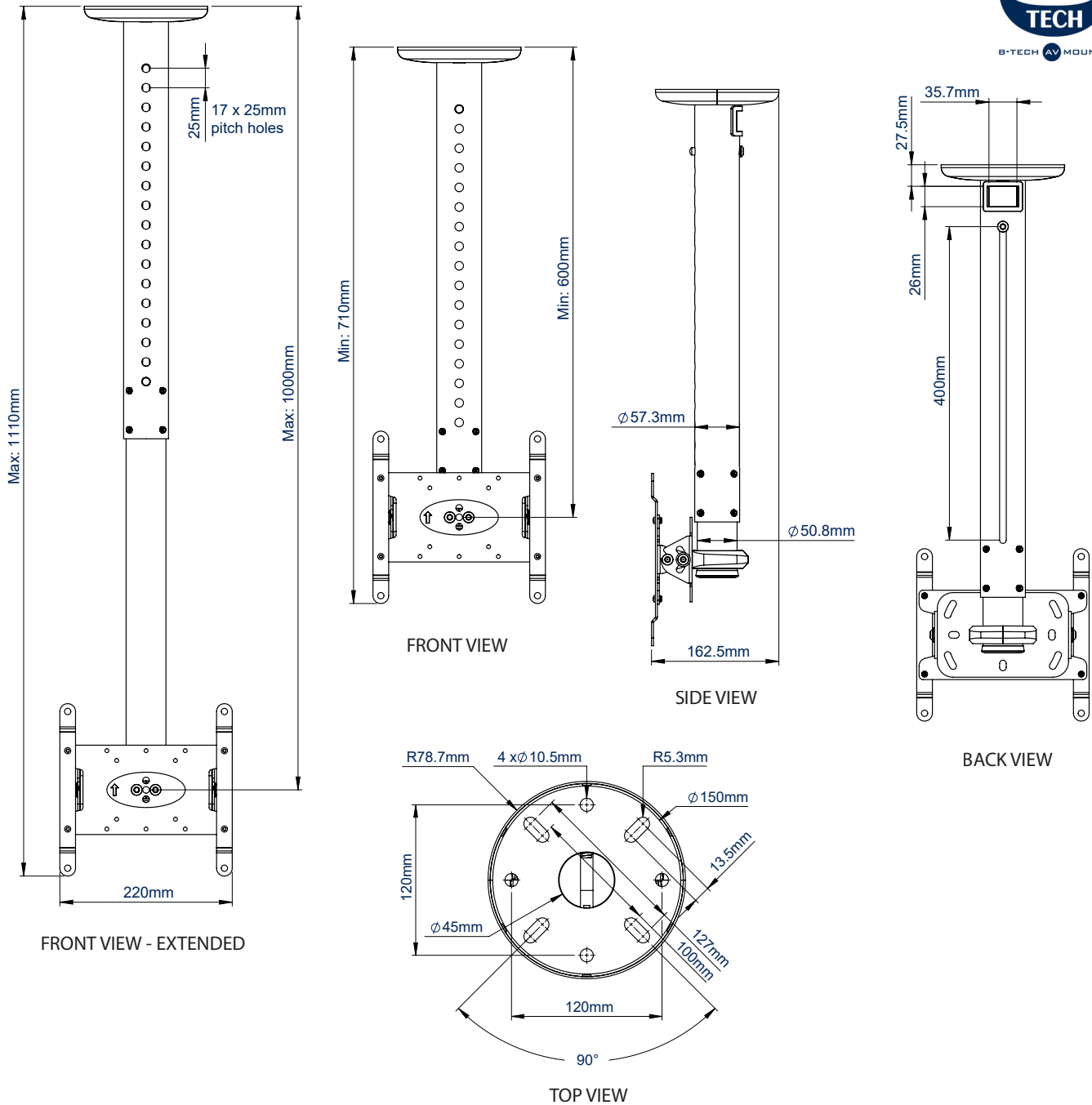
Easy tilt adjustment



Security locking screws provided



Simple 'hook-on' installation

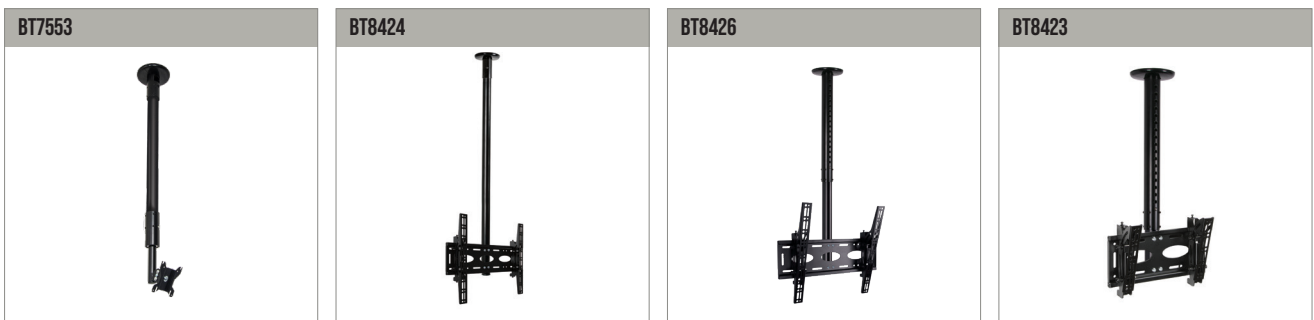


PACKING INFORMATION

ORIGINAL DESIGNS BY B-TECH AV MOUNTS - REGISTERED DESIGNS & PATENTS APPLY

COLOUR:	ORDER REF:	EAN CODE:	MASTER CARTON QTY:	MASTER CARTON WEIGHT:	MASTER CARTON CUBE:
BLACK	BT8420/B	5019318303470	2	3.5KG / 1.2KG	0.016CBM / 0.0014CBM

RELATED PRODUCTS



BT7553
Flat Screen Ceiling Mount with tilt and swivel

BT8424
Universal Flat Screen Ceiling Mount with Tilt for screens up to 65°

BT8426
Adjustable Drop Universal Flat Screen Ceiling Mount with tilt

BT8423
Adjustable Drop Universal Flat Screen Ceiling Mount with tilt

© 2015 B-Tech Av Mounts. All rights reserved. This information is for informational purposes only and does not constitute an offer of any product. B-Tech Av Mounts is a registered trademark of B-Tech Av Mounts. All other trademarks are the property of their respective owners. B-Tech Av Mounts is not responsible for any damage or loss of data caused by improper use of its products. Any reproduction or transmission of any part of this specification is strictly prohibited unless prior written permission has been granted by B-Tech Av Mounts. B-Tech Av Mounts is not responsible for any damage or loss of data caused by improper use of its products. Any reproduction or transmission of any part of this specification is strictly prohibited unless prior written permission has been granted by B-Tech Av Mounts. B-Tech Av Mounts is not responsible for any damage or loss of data caused by improper use of its products. Any reproduction or transmission of any part of this specification is strictly prohibited unless prior written permission has been granted by B-Tech Av Mounts. B-Tech Av Mounts is not responsible for any damage or loss of data caused by improper use of its products. Any reproduction or transmission of any part of this specification is strictly prohibited unless prior written permission has been granted by B-Tech Av Mounts.

SS-BT-8420-250821