

POLE
MOUNTED
ACCESSORY

BT7862

TWIN POLE ADAPTER

The BT7862 Twin Pole Adapter is designed to securely mount AV accessories such as BT7880 Apple TV Mount centrally between 2 poles. Ideal for use with a range of B-Tech trolleys and stands. Suitable for both Ø50mm and Ø60mm poles and compatible with single and double attachments collars.

SPECIFICATION

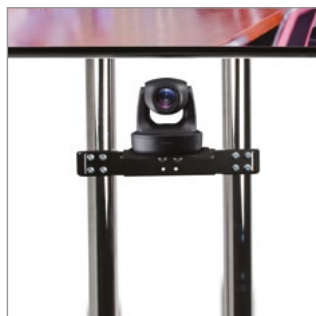
Max load	4kg
Colour	Black
Suitable for	Ø 50mm and Ø 60mm poles

FEATURES

- Designed to mount AV accessories such as shelves centrally between 2 poles
- Ideal for use with B-Tech Floor Stands and Trolleys
- Compatible with single and double attachment collars (sold separately)
- Compatible with Ø50mm (BT7051), Ø60mm collars (BT7060) and single attachment collars BT7260 and BT7052



Designed to mount AV accessories such as shelves centrally between 2 poles



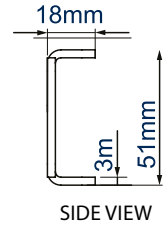
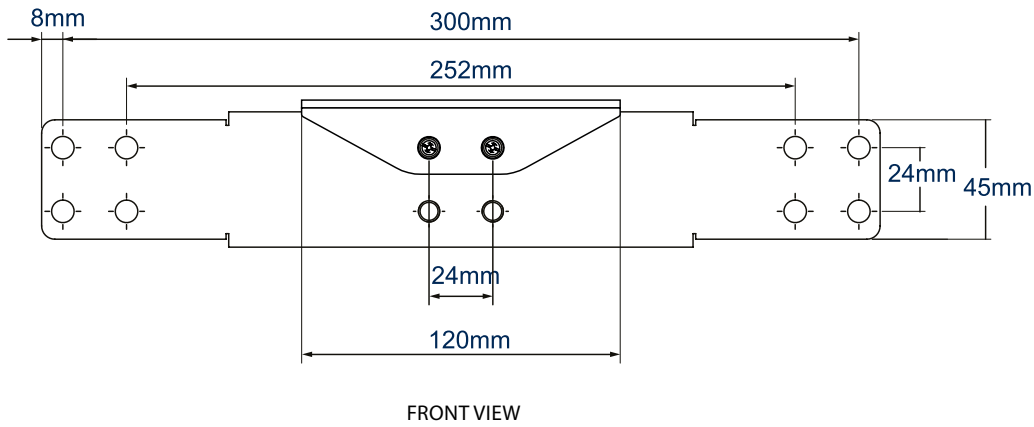
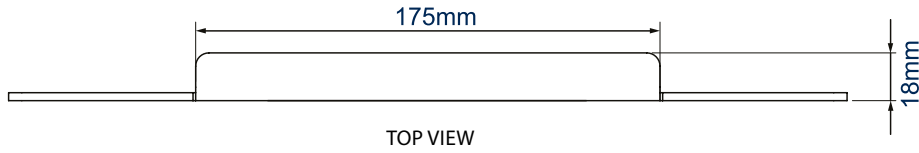
Designed to mount AV accessories such as shelves centrally between 2 poles



Compatible with ø50mm (BT7051) and ø60mm collars (BT7060)



Compatible with single and double attachment collars



PACKING INFORMATION

COLOUR:	ORDER REF:	EAN CODE:	MASTER CARTON QTY:	INNER CARTON QTY:	MASTER CARTON WEIGHT:	MASTER CARTON CUBE:
Black	BT7862/B	5019318759109	1	0	1.6kg	0.0006cbm

ACCESSORIES & RELATED PRODUCTS

<p>BT7052</p>	<p>BT7260</p>	<p>BT7863</p>	<p>BT7880</p>
----------------------	----------------------	----------------------	----------------------

ø50mm Accessory Collar single attachment

ø60mm Accessory Collar single attachment

Small AV Accessory Shelf ideal for mounting VC cameras

Wall Mount For Apple TV specifically designed for 4th generation model

© 2016 B-Tech Professional Limited. All rights reserved. The information is specific and not intended to be used as a substitute for the manufacturer's instructions. B-Tech Professional Limited is not responsible for any damage or injury caused by improper or unsafe use of the product. Any reproduction or modification of any part of this specification is strictly prohibited unless prior written permission has been granted by B-Tech Professional Limited.

SS-BT7862-V2-2770919