



NON-MARKING DESIGN

BT7841

Ø50MM 2-PIECE ACCESSORY COLLAR



The BT7841 Ø50mm Accessory Collar is a core component of the 'System 2' range and is designed to attach a variety of different mounts and accessories onto B-Tech poles. The 2-piece split design makes installation quick and simple and also allows accessories to be retro-fitted to existing installations without the need to disassemble anything. Finished installations look neat and tidy thanks to plastic cover plates which are included as standard.

SPECIFICATION

Compatible Pole Diameter	Ø50mm
Collars supplied per pack	1
Colour	Black or Chrome

FEATURES

- Allows a wide range of mounts and accessories to be fitted to Ø50mm poles
- 2-piece split design for easy installation and for retro-fitting onto existing installs
- Dual fixing points allow back-to-back installations onto a single collar
- 2-piece clamping method prevents installations from marking poles
- Supplied with cover plates for a neat and tidy install (single side installs only)

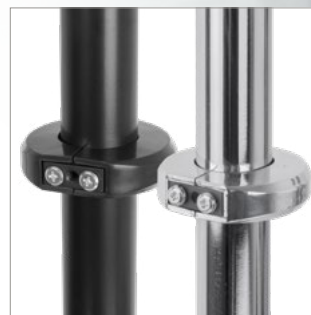
**Please note the covers cannot be used for back-to-back configurations*



2-piece split design for easy installation and to allow retro-fitting to existing installs



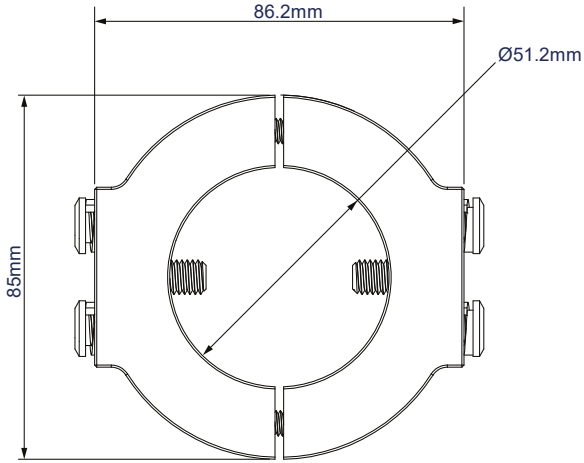
Supplied with cover plates for a neat and tidy finish



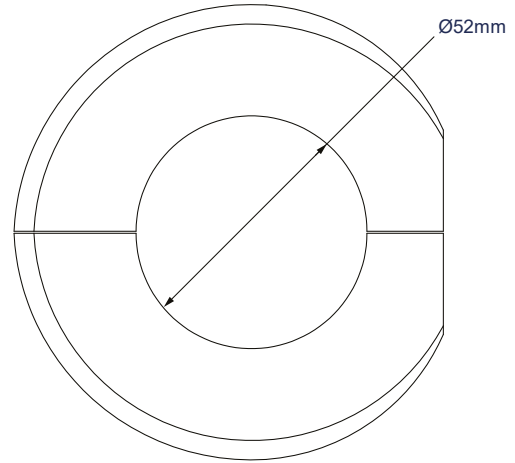
Available in either black or chrome finish



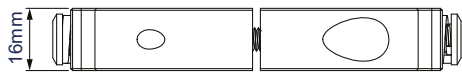
Dual fixing points allow back-to-back installations



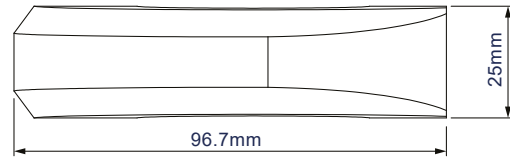
TOP VIEW



COVER - TOP VIEW



SIDE VIEW



COVER - SIDE VIEW

PACKING INFORMATION

ORIGINAL DESIGN BY B-TECH - REGISTERED COMMUNITY DESIGN NO.: 004038040-0025

COLOUR:	ORDER REF:	EAN CODE:	MASTER CARTON QTY:	INNER CARTON QTY:	MASTER CARTON WEIGHT:	MASTER CARTON CUBE:
Black	BT7841/B	5019318079504	40	0	9.2kg	0.011cbm
Chrome	BT7841/C	5019318079511	40	0	9.2kg	0.011cbm

ACCESSORIES AND RELATED PRODUCTS



BT7850
Ø50mm Pole are designed for ceiling, floor or floor-to-ceiling installations



BT8390-CFK
Collar Fixing Kit for fixing mounting rails to B-Tech poles (accessory collar also required)



BT8431
Universal Flat Screen Wall Mount with Tilt for medium to large sized screens up to 55"



BT7051
Ø50mm Heavy Duty Accessory Collar used to attach mounts and accessories to Ø50mm poles

© 2014 B-Tech Consumer Products Limited. All rights reserved.
The information in this specification does not constitute a contract. It is subject to change without notice. B-Tech Consumer Products Limited is not liable for loss or damage caused by improper or negligent use of the product. Any reproduction or translation of any part of this specification without the prior written permission of B-Tech Consumer Products Limited is prohibited.

SS-V3.1-BT7841-100919