



B-TECH AV MOUNTS™



# BT332

## SPEAKER WALL MOUNTS (PAIR) WITH TILT AND SWIVEL

Designed to mount home cinema speakers to the wall, the BT332 is a compact and effective solution that provides a tilt and swivel adjustment to direct the sound to the desired location. Now compatible with the popular SONOS® Brand of wireless "smart speaker" systems, the BT332 is a current solution for the most modern speakers on the market.

### SPECIFICATION

Max load	5kg
Tilt Adjustment	+/-20°
Swivel	180°
Distance from wall	72mm
Distance between dual fixing points	51mm - 67mm
Colour	Black, White

### FEATURES

- Designed for home cinema speakers up to 5kg (11lbs)
- Thumbwheel for easy adjustment of tilt: +/-20° and swivel: 180°
- Includes adaptors for keyhole, single point and dual point fixings
- Suitable for speakers using M5, M6, UNC 1/4" and wood screws
- Mounts speaker only 72mm (2.8") from wall
- No visible wall fixing screws
- Simple 'hook-on' installation with all mounting hardware included
- Compatible with SONOS® Play:1 and Play:3 speakers (in portrait mode)
- Supplied in pairs
- Patented design



Per Mount



Simple 'hook-on' installation



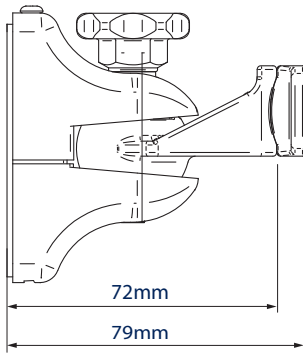
Includes optional dual point adaptor



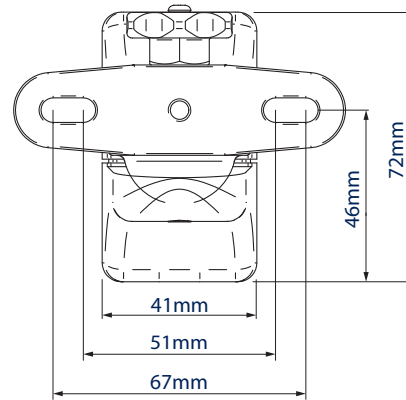
Thumbwheel for easy tilt and swivel adjustment



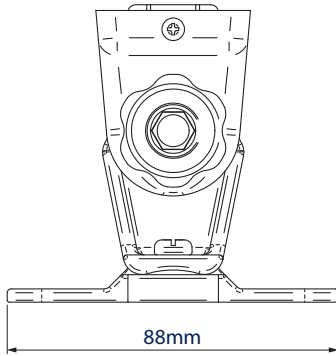
Supplied in pairs



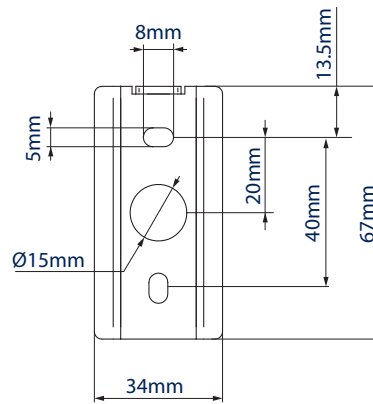
SIDE VIEW



FRONT VIEW



TOP VIEW



WALL PLATE

PACKING INFORMATION

COLOUR:	ORDER REF:	EAN CODE:	MASTER CARTON WEIGHT:	MASTER CARTON CUBE:
Black	BT332/B	5019318033209	10.68kg	0.023cbm
White	BT332/W	5019318043215	10.68kg	0.023cbm

ACCESSORIES AND RELATED PRODUCTS



**BT11**  
Speaker Floor Stands with Die-Cast Base  
compatible with SONOS Play:1 speakers



**BT77**  
Side Clamping Loudspeaker Wall Mount  
with tilt and swivel



**BT608**  
Loudspeaker Floor Stands  
compatible with SONOS Play:1 speakers



**BT914**  
Universal Soundbar Mount  
compatible with SONOS Playbar

© 2018 B-Tech International Limited. All rights reserved.  
 B-Tech, B-Tech logo, B-Tech AV MOUNTS, B-Tech logo and the B-Tech logo are registered trademarks of B-Tech International Ltd.  
 All other marks and products are trademarks of their respective owners. B-Tech images and symbols are the property of B-Tech International Ltd, SONOS, XBOX, PS3, and all other marks are the property of their respective owners. B-Tech does not accept any responsibility for loss or damage caused by improper installation or mounting on unsuitable structures. Any reproduction or translation of any part of this specification without written permission is a breach of copyright by B-Tech International Ltd. (UK).

SS-BT332-V2-08062018