

# FIBRE TO AES BOX FAB-1

**BCD**  
AUDIO

Broadcast Audio  
Custom Manufacture  
Design and Consultancy

BCD 09/10/2007

Conventional copper AES-3 circuits may be no longer than 100 metres unless specialised recovery and equaliser equipment is used. The FAB-1 extends this range to 2 kilometers using ST fibre.

The FAB-1 has a GO and a RETURN circuit, and is compatible with BCD's other ST fibre products.



## Specification – AES input

Transformer balanced AES-3 input on XLR.  
Input impedance 110R.  
Sample rates 24KHz up to 200KHz.  
Equalised for medium length cables up to 200metres.

## Specification – AES output

Transformer balanced AES-3 output on XLR.  
Output impedance 110R +/-10%.  
Output level 3V P-P loaded 110R.

## Specification – Fibre conversion

Fibre type 50 or 62.5 micron types.

## DC power requirements

DC power applied via 2.5mm barrel socket,  
+ve on centre pin.  
Input voltage range 8V to 30V DC.  
Recommended input range 12 to 24V DC.  
Current consumption at 12V input 120mA.

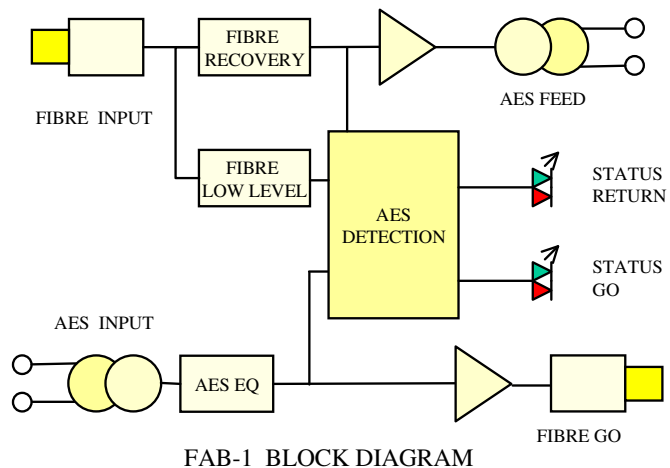
## Features

AES-3 INPUT 110R on XLR input to ST fibre transmitter.

ST fibre input to AES-3 output on XLR.

DC inlet on 2.5mm barrel socket.

Lock indicator LEDs for each circuit.



## Description

The AES-3 input is equalised for medium length cables, and modulates the ST fibre transmitter. A status LED indicates the integrity of the input signal.

The ST fibre signal is recovered and passes to the RS422 transformer balanced output.

A status LED indicates the integrity of the AES signal, and also glows orange for low-level fibre inputs.

The unit is powered from a wide ranging DC power source.