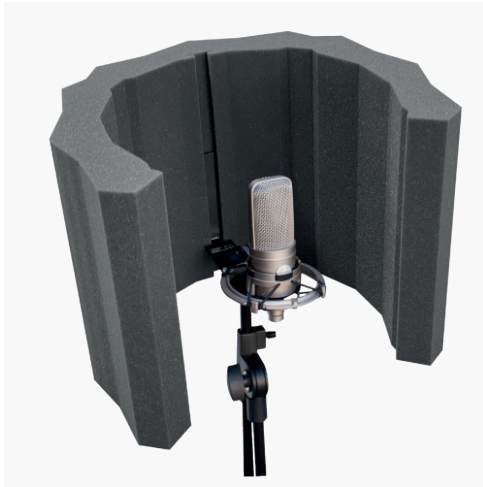


Fuji Microphone Shield

Mobile Kits



Fuji is a curved microphone isolation shield that drastically reduces background noise and attenuates the general room contribution from your recordings, helping you reach ideal recording conditions wherever you are. Fuji is equipped with an adjustable microphone clamp and is fully adjustable in height to perfectly fit into your setup. Fuji is prepared for both EU and USA microphone sizes.

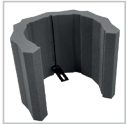
Product Composition

- Acoustic Foam

Recommended for

- Recording Room
- Home Studio
- Vocal Booth

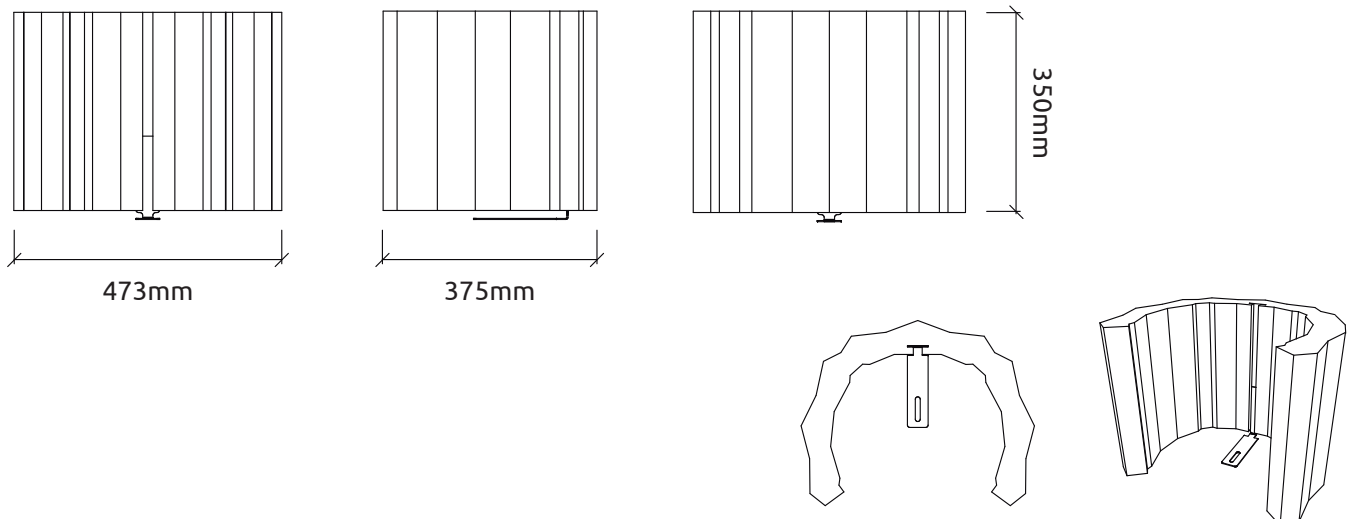
Finishes

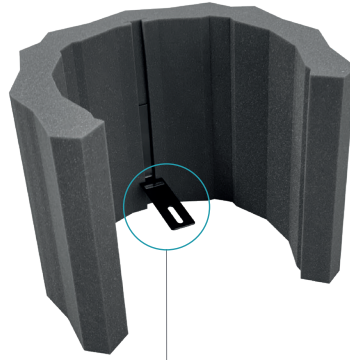


FG | Foam

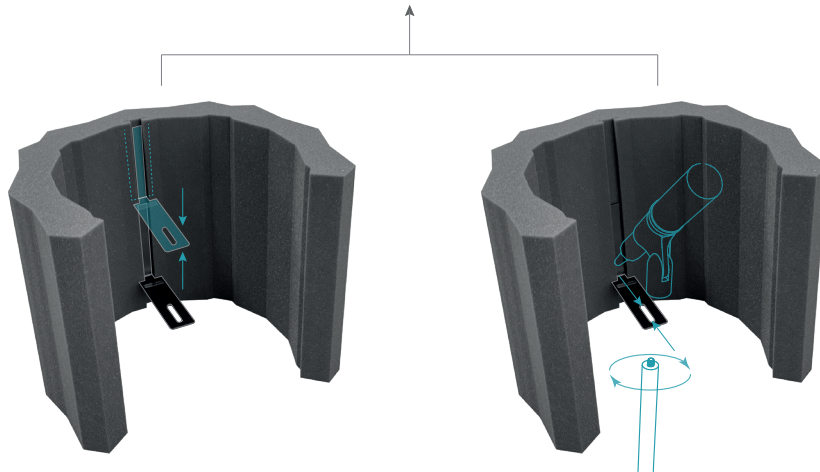
Dimensions

Fuji Microphone Shield | 473x350x375mm







Adjustable depth and height
easily accommodates different microphone sizes



Compatible microphone and stand thread sizes



Male thread: 5/8"
Female thread: 3/8"



Male thread: 3/8"
Female thread: 5/8"

