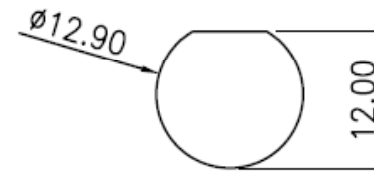
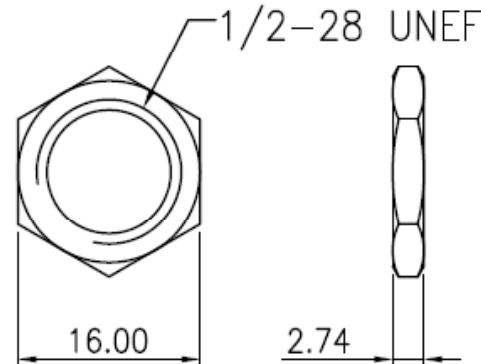
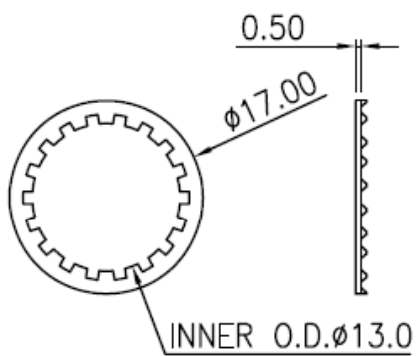
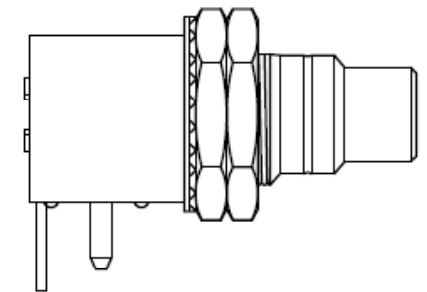


PCB FOOTPRINT



MOUNTING HOLE



ASSEMBLY

43-028 DELUXE RCA (PHONO) PANEL SOCKET PCB mounting, black  
 43-029 DELUXE RCA (PHONO) PANEL SOCKET PCB mounting, red