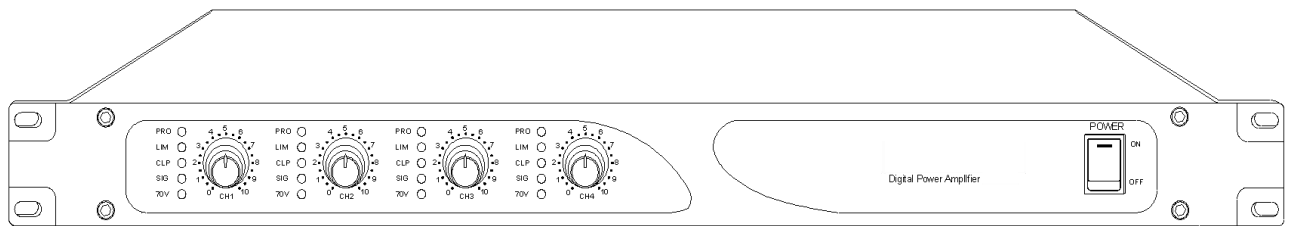


Public Address System

Multi-channel Digital Amplifier



User's Manual

Welcome to use our public address system, please read the User's Manual carefully first for better use.

About the Manual

The Manual will be available since the date when the development of multi-channel digital amplifier is completed. The Manual describes the features, precautions, system connections, operating instructions, and other contents of the multi-channel digital amplifier, please read it carefully before using, and operate as instructed by it.



All the descriptions marked with this mark are the precautions, please always use or operate according to these descriptions.

Please keep the Manual properly for later use.

Matters needing attention

Please read the following before operating the product.

Warning

The following basic requirements must be strictly observed, to avoid potential personal injury and equipment or property damages to you or any person nearby. The basic requirements include without limitation to the following:


Power source/power cable

- Please disconnect the device from power source by pulling the plug other than the power cord. Pulling the power cord may result in damages.
- Please keep the power cord away from heat source. Do not overbend the power cord or place it anywhere it can be stepped on or may cause to trip.
- This is connected to power source via the plug and any failure or danger occurs, the user can disconnect the device from power source by pulling out the plug out from the socket, therefore, it is required that the power socket should be located somewhere with easy access.
- The device is not completely disconnected from power source when it is switched "OFF". For sake of safety, please disconnect the device from the socket if it is not in user.

Positioning

- Please disconnect the device from power source before relocating the device.
- For avoiding deformation of panels and damages to internal components, please do NOT place the device where there is heavy dust or violent vibration, or where it is extremely cold or hot.
- Please keep this device off water drops or splash or vase filled with water or any other articles of similar nature.

Connection

- Please disconnect other equipment from power source before they are connected to this product. Please tune volume to its minimum level before the device is powered ON or OFF.
- All terminals on the device marked with  are live and dangerous, and should be connected by trained

personnel.

When abnormal conditions are realized

- Please disconnect the device from power source immediately in case the power cord is worn or damaged or if the sound is suddenly cut off or any abnormal odor or smoke comes out from the device, and then have the device inspected and repaired by professional personnel.

Precautions in Operation

- Please do NOT insert any finger into any gap or opening of the device.
- Please prevent foreign objects (paper, plastics or metal etc.) from being inserted or falling into any gap or opening of the device. In such case, please cut off power source immediately.
- Please do NOT put the body or any heavy object on the device and do NOT operate the buttons or switches or connections with excessive force.

Do NOT open

- Please do NOT remove the cover of the equipment, otherwise you may get an electric shock.
- Do NOT attempt to remove any internal component from the device, or to modify the equipment in whatever manner. In case of any abnormal condition, please stop using the device immediately and have it inspected and repaired by professional personnel.

Other Precautions

- Our company shall not be responsible for data loss or damages due to improper use of unauthorized modification to the device.
- The images and screen display in this Manual are only for description and may be different from screen images in actual operation. The screen display depends on the product.

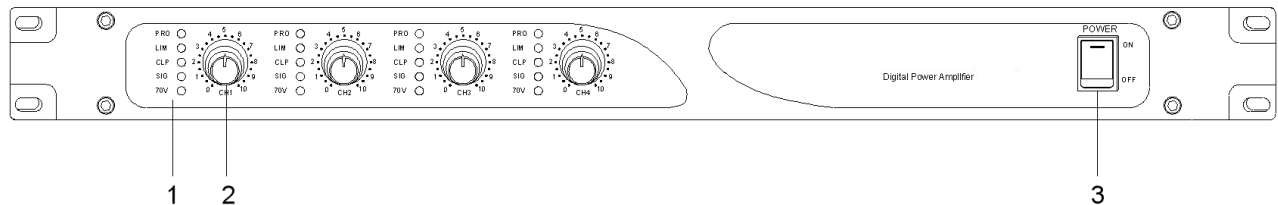
I. PRODUCT

1.1 FEATURES

- **4-channel;**
- **5-unit LED lamp for status display;**
- **Advanced active PFC (power factor correction);**
- **Efficient switching power supply;**
- **Efficient CLASS D amplifier;**
- **Support DC 24V power supply;**
- **Adjust fan speed with temperature;**
- **Equipped with voltage limit circuit;**
- **All-protected circuit design;**
- **Support real-time switch of 70/100V output;**
- **Input sensitivity: 775mVRMS;**
- **Both line input and output interfaces adopt HT-3.96 phoenix;**
- **100VRMS prior line input;**
- **Balanced prior line input;**
- **Balanced line input;**
- **HB-9500 7.62 fence output socket with cover is adopted for power output.**

II. APPEARANCE

2.1 Front panel



1. Indicator

PRO: Signal indicator(signal input) After being powered on and input with signal, if the protection indicator (PRO) and LIM are on first, go out after a few seconds, and are on again, the output short circuit fault occurs, and the above phenomena will repeat if the fault is not removed. Now, power off immediately, and re-power on after troubleshooting.

LIM: Limit indicator;

A. Both LIM and PRO are on: Amplifier is in short circuit or over-current protection.

B. LIM is on while PRO goes out: After the continuous repeated signal makes the output power reach or exceed rated power for 2-4s, the power limits the start of circuit and halves the rated output power automatically. This circuit will not be started with audio and music applications under rated power.

CLP: Clip indicator, please reduce the gain properly to avoid severe clip;

SIG:

70V: Gear indicator, if it is on, the current gear is 70V output voltage.

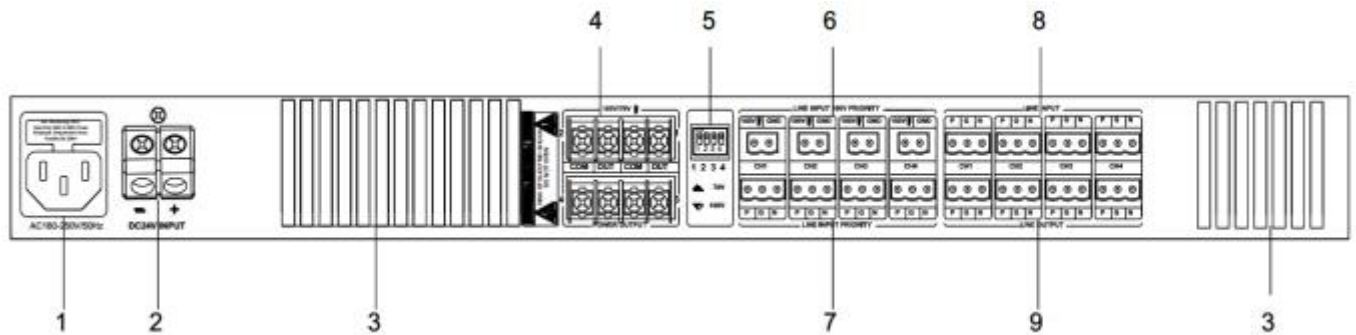
2. Channel volume control knob

Name the volume control knob (CH1) by the number of channels with an analogy, such as CH1, CH2.....

3. Power switch

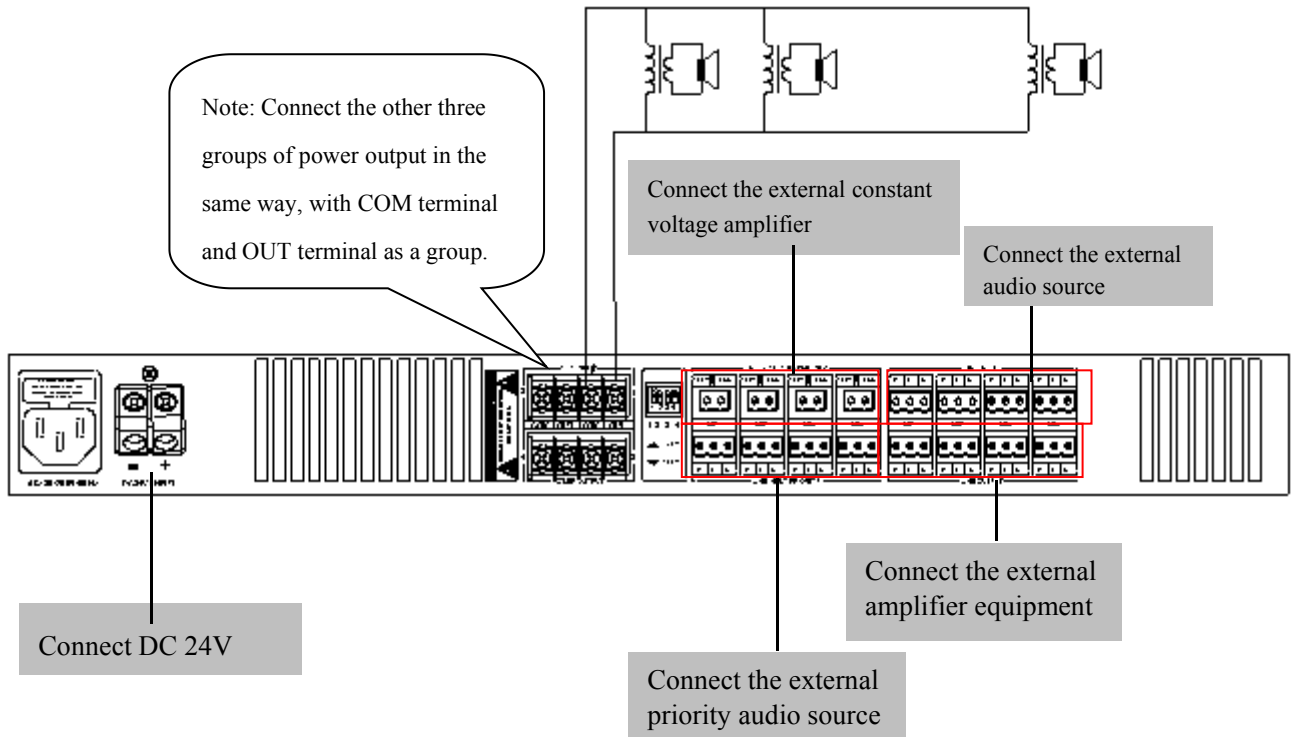
Power switch is provided with power indicator, when placing it in ON position, its internal power indicator will be on.

2.2 REAR PANEL



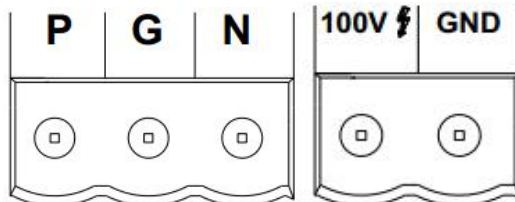
1. 110V AC power input (with fuse holder)
 2. 24V DC power input (max. access core is $\Phi 6\text{mm}$)
 3. Air outlet of fan
 4. 70V/100V voltage output
 5. 70V/100V output switch
 6. Prior 100VRMS single unbalanced line input (2-position 3.96 phoenix)
 7. Prior balanced line input (3-position 3.96 phoenix, priority signal 6 and 7 are directly mixed. After the priority signal amplitude exceeds threshold, the balanced line inputs to enter the mute status, and the balanced signal recovers output after it is lower than threshold for 2-3s)
 8. Balanced line input (3-position 3.96 phoenix)
 9. Balanced line output (3-position 3.96 phoenix)
-

III. CONNECTION



3.1 Input connection

All line inputs and outputs should be connected to the 3-position 3.96 phoenix (Figure 1) or 2-position 3.96 phoenix (Figure 2) on the machine's rear panel.



(Figure 1) 3-position 3.96 Phoenix

(Figure 2) 2-position 3.96 Phoenix

- P— — Signal (+)
- G— —Ground
- N— — Signal (-)

- 100V— — 100V output terminal (hot terminal) of external constant voltage amplifier .
- GND— — Output ground (cold terminal) .

3.2 Output connection

Output terminal locates on the rear panel and can be directly connected with wire. COM is common terminal and OUT is hot terminal.

Note: Never connect two "hot terminals" ever.

Packing list

No.	List	Qty.
1	5×19 machine set screw	4 pcs
2	10A National Standard MP-P power line	1 pc
3	HT-3.96-2P plug	4 pcs
4	HT-3.96-3P plug	12 pcs
5	User's Manual	1 pc
6	Charter washers (Black)	4 pcs

Performance specification

Number of channels	4
Rated output power of each channel	125W
Input sensitivity	775mVRMS (0dBV/all balanced input) 100VRMS (100V unbalanced input)
SNR (signal-to-noise ratio)	>80dB (100VRMS output)
Input impedance	60K ohms (balanced) 20K ohms (balanced priority) 100K ohms (100V unbalanced)
Channel separation	>70dB(1KHz)
Frequency response	80Hz-15kHz (± 3 dB normal operating conditions)
THD (total harmonic distortion)	< 0.3 % (1kHz normal operating conditions)
Up speed	>29V/us
Priority threshold	>10mVp (prior balanced line input)>1000mVp (prior 100VRMS line input)
Indicators	"Protection", "Limit", "Voltage Limit", "Signal", and "70V gear"
Protection	Power-on, high temperature, DC, short circuit
Power supply	AC110V/50-60Hz DC24V (rated output power-3dB)
Overall dimensions (mm)	(L×W×H) 552×510×105
Machine dimension (mm)	(L×W×H) 483×435×44 (not including machine legs)
Machine legs	Four 6.5mm high soft plastic machine legs, can be removed as needed
Power consumption	653W
Gross weight (kg)	8
Net weight (kg)	7

Performance specifications are subject to change without notice

Precautions

- When the power switch is placed in "OFF" position, the equipment is not completely disconnected with network source; for safety, please pull out the power line plug from socket when it is not used.
- Please keep it away from water, and never put articles like vase filled with water on it.
- To avoid electric shock, please don't open the machine's cover plate at will. It shall be repaired by the professional with professional certificate when necessary.
- The terminals marked with ⚡ on the equipment mean that they are dangerous and electrified, and they should be connected by the trained personnel.
- Since the equipment is connected to network source through power line plug, just pull the power line plug to disconnect it with power network in case of its fault or danger, therefore, please put the power socket in the place where power line is easy to plug.